

Fig.	Kacmaz No.	Oem No	Oem Old No	Pcs.	Ürün Tanımı	Description	Sizes	Notes	X1:DG.13.16-100	X2:SG9.56-073	X3:SG6.47-073
1	K20.00726	1308 302 041		1	PRİZDİREK KEÇE KAPAĞI	COVER	L=170 D=57	(B) (A)	◆	◆	◆
1	K20.00729	1308 302 053		1	PRİZDİREK KEÇE KAPAĞI	COVER	L=156 D=54	(M)	◆	◆	
1		1308 302 050		1	PRİZDİREK KEÇE KAPAĞI	COVER		(V)	◆		
1		1308 302 052		1	PRİZDİREK KEÇE KAPAĞI	COVER		(IS)	◆		
1		1308 302 083		1	PRİZDİREK KEÇE KAPAĞI	COVER		(S)	◆		
1	K20.00727	1308 302 084		1	PRİZDİREK KEÇE KAPAĞI	COVER		(F)	◆		
1	K20.00728	1308 302 044		1	PRİZDİREK KEÇE KAPAĞI	COVER	L=147 D=57	(A)			◆
1		1308 302 057		1	PRİZDİREK KEÇE KAPAĞI	COVER		(D)	◆		
1		1308 302 122		1	PRİZDİREK KEÇE KAPAĞI	COVER		(IV)	◆		
2	K20.01001	0750 111 149	(0734 310 161)	1	PRİZDİREK KEÇESİ	OIL SEAL	48.0X65.0X10.0mm		◆	◆	◆
3		1308 201 108	(1308 201 098)	1	ŞANZIMAN ÖN GÖVDE	HOUSING	Old Type		◆	◆	◆
3		1308 201 105		1	ŞANZIMAN ÖN GÖVDE	HOUSING	New Type		◆	◆	◆
4	K20.01709	0730 005 494		1	PRİZ.ÖN BİLYA RAYNELİ	SHIM	1.90mm		◆	◆	◆
4	K20.01710	0730 005 486		1	PRİZ.ÖN BİLYA RAYNELİ	SHIM	1.50mm		◆	◆	◆
4	K20.01711	0730 006 543		1	PRİZ.ÖN BİLYA RAYNELİ	SHIM	1.10mm		◆	◆	◆
4	K20.01712	0730 006 541		1	PRİZ.ÖN BİLYA RAYNELİ	SHIM	1.05mm		◆	◆	◆
4	K20.01713	0730 007 361		1	PRİZ.ÖN BİLYA RAYNELİ	SHIM	0.70mm		◆	◆	◆
4	K20.01715	2001715		1	PRİZ.ÖN BİLYA RAYNELİ	SHIM	0.30mm		◆	◆	◆
4	K20.01716	2001716		1	PRİZ.ÖN BİLYA RAYNELİ	SHIM	0.20mm		◆	◆	◆
4	K20.01717	2001717		1	PRİZ.ÖN BİLYA RAYNELİ	SHIM	0.10mm		◆	◆	◆
5		1308 302 124	(1308 302 029)	1	PRİZ.YAĞ PULU SACI	DIAPHRAGM			◆	◆	◆
6	K20.01136	0750 117 312		1	PRİZDİREK ÖN BİLYA	ROLLER BEARING	50.8X104.7X30.1mm		◆	◆	◆
7	K20.00730	1308 202 050	(1308 302 094)	1	PRİZDİREK 26 DİŞ	INPUT SHAFT 26T		(B)	◆		
7	K20.00839	1308 202 052	(1308 202 038)	1	PRİZDİREK 26 DİŞ	INPUT SHAFT 26T		(M) (A)	◆		
7	K20.00732	1308 202 048	(1308 302 034)	1	PRİZDİREK 26 DİŞ	INPUT SHAFT 26T		(V) (L) (A)	◆		
7	K20.00731	1308 202 064	(1308 302 114)	1	PRİZDİREK 26 DİŞ	INPUT SHAFT 26T		(F)	◆		
7	K20.00733	1308 202 051	(1308 202 037)	1	PRİZDİREK 26 DİŞ	INPUT SHAFT 26T		(IS)	◆		
7		1308 202 063		1	PRİZDİREK 26 DİŞ	INPUT SHAFT 26T		(S)	◆		
7		1308 202 054		1	PRİZDİREK	INPUT SHAFT		(D)			◆
7		1308 202 057		1	PRİZDİREK	INPUT SHAFT		(M)		◆	
8	K20.01730	1308 302 107		1	PRİZDİREK YAĞ KOLLEKTÖRÜ	SEAL BAFFLE			◆	◆	◆
9	K20.01731	0631 329 064		1	PRİZDİREK YAĞ BORUSU	PIN			◆	◆	◆
10	K20.01010	0501 311 146		1	PRİZDİREK ARKA KEÇE	OIL SEAL			◆	◆	◆
11	K20.01145	1307 203 019	(1307 203 010)	1	KAMALI MİL UÇ BİLYA	ROLLER BEARING			◆	◆	◆
12		0730 501 399		1	KAMALI MİL UÇ BİLYA SEK.	RETAINING RING	2.50mm		◆	◆	◆
12		0730 501 501		1	KAMALI MİL UÇ BİLYA SEK.	RETAINING RING	3.00mm		◆	◆	◆
13	K20.00734	1308 304 078		2	PRİZ.-3.VİT.SENKROMENÇ	ENGAGING RING			◆	◆	◆
14	K20.00735	1308 304 097	(1308 304 095)	2	PRİZ.-3.VİT.SENK.FRENLEME	SYNCHRONIZING CONE			◆	◆	◆
			(1308 304 072)								
15	K20.00736	1308 304 111	(1307 304 607)	1	PRİZ.-3.VİT.YILDIZ DİŞLİ	GUIDE SLEEVE			◆	◆	◆
			(1307 304 168)								

**NOTES** :

Alphabetical Coding has been done according to Input Shaft  
X1,X2,X3 are used conjunction with the encoded parts.

**NOTLAR** :

Alfabetik kodlamalar prizdireklere göre yapılmıştır.  
X1,X2,X3 ile kodlanan parçalar birlikte kullanılır.

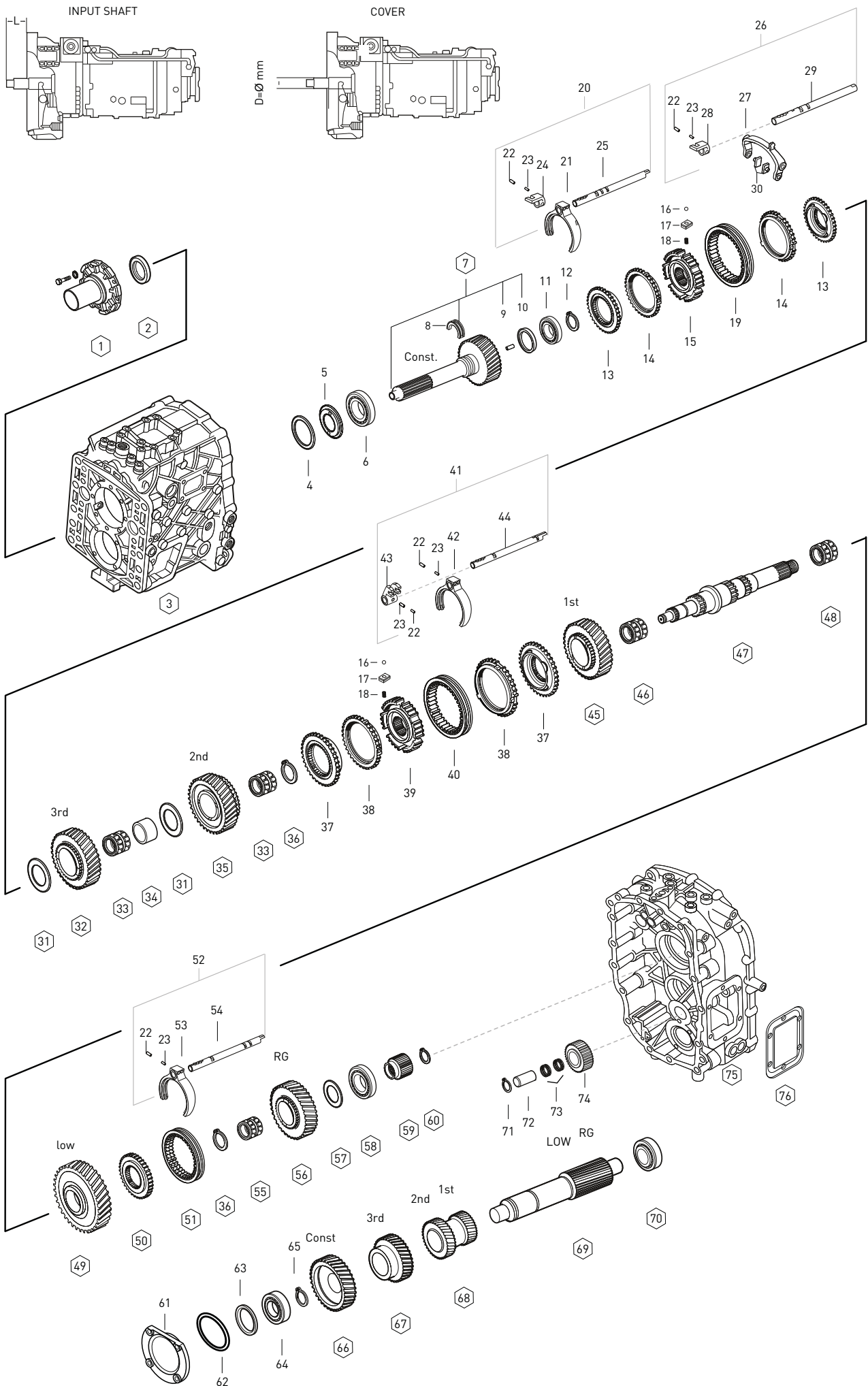


Fig. Kacmaz No.	Oem No	Oem Old No	Pcs.	Ürün Tanımı	Description	Sizes	Notes	X1:DG.13.16-1.00	X2:SG9.56-0.73	X3:SG6.47-0.73
16	K20.01457	0635 460 010	6	1./2.-3.VİT.YILDIZ DIŞLI BİLYASI	BALL			◆	◆	◆
17	K20.00738	1307 304 156	6	1./2.-3.VİT.YILDIZ DIŞLI FİŞEĞİ	PRESSURE PIECE			◆	◆	◆
18	K20.00737	0732 041 571	6	1./2.-3.VİT.YILDIZ DIŞLI YAYI	SPRING			◆	◆	◆
19	K20.00739	1308 304 090	(1308 304 076)	1 PRİZ.-3.VİT.SENK.HALKA	ENGAGING SLEEVE			◆	◆	◆
20	K20.00742	1308 206 054	1	PRİZ.-3.VİTES HİLALİ KOMPLE	GEAR SHIFT FORK ASSY.	New Type		◆	◆	◆
20		1308 206 048	1	PRİZ.-3.VİTES HİLALİ KOMPLE	GEAR SHIFT FORK ASSY.	Old Type		◆	◆	◆
21	K20.00741	1308 306 081	(1308 306 038)	1 PRİZ.-3.VİTES HİLALİ	GEAR SHIFT FORK Const./3rd			◆	◆	◆
22	K20.01719	0631 329 028	8	3.-2.-1.R-C.VİTES HİLAL PİMİ	SLOT.PIN	3.5X30.0mm		◆	◆	◆
23	K20.01718	0631 329 069	8	PRİZ.-3.VİTES HİLAL PİMİ	SLOT.PIN	6.0X30.0mm		◆	◆	◆
24		1308 306 032	1	PRİZ.-3.VİT.HİLAL MİL SÜRÜCÜ	DRIVER			◆	◆	◆
25	K20.00740	1308 306 070	1	PRİZ.-3.VİTES HİLAL MİLİ	GEAR SHIFT FORK RAIL	New Type		◆	◆	◆
25		1308 306 050	1	PRİZ.-3.VİTES HİLAL MİLİ	GEAR SHIFT FORK RAIL	Old Type		◆	◆	◆
26	K20.00746	1308 206 055	1	PRİZ.-3.VİTES HİLALİ KOMPLE	GEAR SHIFT FORK ASSY.			◆	◆	◆
27	K20.00744	1308 306 121	(1308 306 063)	1 PRİZ.-3.VİTES HİLALİ	GEAR SHIFT FORK Const./3rd			◆	◆	◆
28		1308 306 032	1	PRİZ.-3.VİT.HİLAL MİL SÜRÜCÜ	DRIVER			◆	◆	◆
29	K20.00745	1308 306 082	1	PRİZ.-3.VİTES HİLAL MİLİ	GEAR SHIFT FORK RAIL			◆	◆	◆
30	K20.00743	1306 306 050	(1306 306 032)	2 PRİZ.-3.VİTES HİLAL PABUCU	SLIDING PAD			◆	◆	◆
31	K20.01720	0730 108 172	2	PRİZ.-2./3.VİT.DİŞLİ PULU	THRUST WASHER	4.15mm		◆	◆	◆
32	K20.00747	1308 304 064	1	3.VİTES DIŞLİSİ 30 DIŞ	GEAR 3rd 30 T			◆		
32	K20.00748	1308 304 063	1	3.VİTES DIŞLİSİ 26 DIŞ	GEAR 3rd 26 T				◆	◆
33	K20.01345	0735 321 494	2	2./3.VİTES MASURA BİLYA	NEEDLE CAGE	60.0X68.0X41.6mm		◆	◆	◆
34	K20.00749	0730 162 428	1	3.VİTES MAS.BİLYA ÇANAĞI	BEARING RACE	42.30mm		◆	◆	◆
35	K20.00750	1308 304 054	1	2.VİTES DIŞLİSİ 30 DIŞ	GEAR 2nd 30 T			◆	◆	◆
36		0730 501 409	2	GERİ/2.VİT.MAS.BİLYA SEK.	RETAINING RING	2.50mm		◆	◆	◆
36		0730 501 418	1	GERİ/2.VİT.MAS.BİLYA SEK.	RETAINING RING	2.80mm		◆	◆	◆
37	K20.00751	1308 304 077	2	1./2.VİT.SENKROMENÇ	ENGAGING RING			◆	◆	◆
38	K20.00752	1308 304 096	(1308 304 094)	2 1./2.VİT.SENK.FRENLEME	SYNCHRONIZING CONE			◆	◆	◆
			(1308 304 070)							
39	K20.00753	1308 304 110	(1307 304 608)	1 1./2.VİT.YILDIZ DIŞLI	GUIDE SLEEVE			◆	◆	◆
			(1307 304 166)							
40	K20.00754	1308 304 091	(1308 304 074)	1 1./2.VİT.SENK.HALKA	ENGAGING SLEEVE			◆	◆	◆
41	K20.00757	1308 206 061	1	1.-2.VİTES HİLALİ KOMPLE	GEAR SHIFT FORK ASSY.	New Type		◆	◆	◆
41		1308 206 042	1	1.-2.VİTES HİLALİ KOMPLE	GEAR SHIFT FORK ASSY.	Old Type		◆	◆	◆
42	K20.00756	1308 306 037	1	1./2.VİTES HİLALİ	GEAR SHIFT FORK 1st/2nd			◆	◆	◆
43		1308 306 024	1	1-2.VİT.HİLAL MİL SÜRÜCÜ	DRIVER			◆	◆	◆
44	K20.00755	1308 306 072	1	1./2.VİTES HİLAL MİLİ	GEAR SHIFT FORK RAIL	New Type		◆	◆	◆
44		1308 306 051	1	1./2.VİTES HİLAL MİLİ	GEAR SHIFT FORK RAIL	Old Type		◆	◆	◆
45	K20.00758	1308 304 057	1	1.VİTES DIŞLİSİ 34 DIŞ	GEAR 1st 34 T			◆	◆	◆
46	K20.01346	0735 321 012	1	1.VİTES MASURA BİLYA	NEEDLE CAGE			◆	◆	◆
47	K20.00759	1308 304 053	1	KAMALI MİL	MAIN SHAFT			◆	◆	◆
48	K20.01347	0750 115 427	1	C VİTES MASURA BİLYA	NEEDLE CAGE	67.0X75.0X37.0mm		◆	◆	◆

**NOTES :**

Alphabetical Coding has been done according to Input Shaft  
X1,X2,X3 are used conjunction with the encoded parts.

**NOTLAR :**

Alfabetik kodlamalar prizdireklere göre yapılmıştır.  
X1,X2,X3 ile kodlanan parçalar birlikte kullanılır.

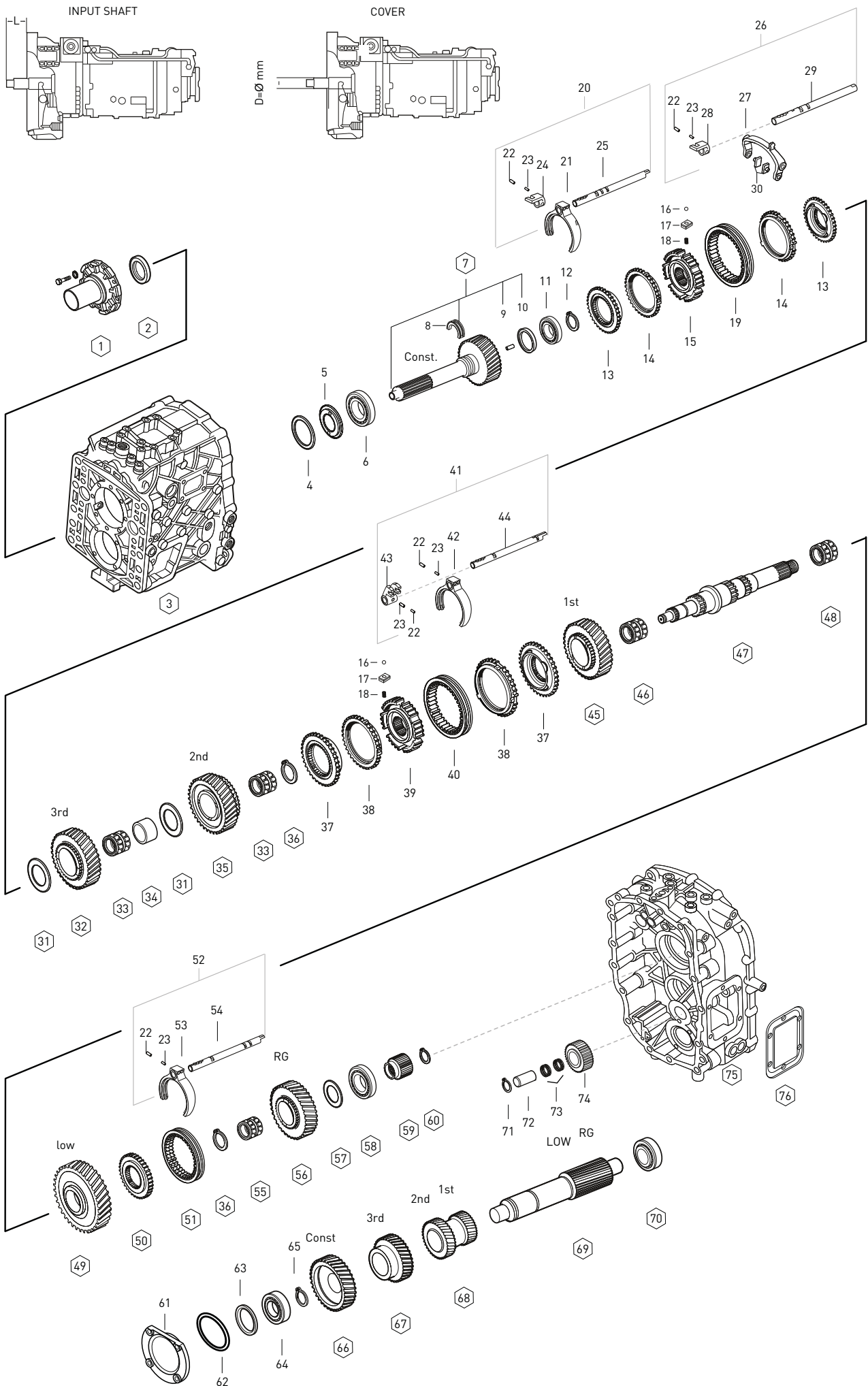


Fig. Kacmaz No.	Oem No	Oem Old No	Pcs.	Ürün Tanımı	Description	Sizes	Notes	X1:DG.13.16-1.00	X2:SG9.56-0.73	X3:SG6.47-0.73
49	K20.00760	1308 304 086	1	C VİTES DİŞLİSİ 37 DİŞ	GEAR CRAWLING GEAR			◆	◆	◆
50	K20.00761	1308 304 051	1	GERİ VİTES YILDIZ DİŞLİ	GUIDE SLEEVE			◆	◆	◆
51	K20.00762	1308 304 087	1	GERİ VİTES HALKASI	ENGAGING SLEEVE			◆	◆	◆
52	K20.00765	1308 206 060	1	GERİ VİTES HİLALİ KOMPLE	GEAR SHIFT FORK ASSY.	New Type		◆	◆	◆
52		1308 206 043	1	GERİ VİTES HİLALİ KOMPLE	GEAR SHIFT FORK ASSY.	Old Type		◆	◆	◆
53	K20.00764	1308 306 067	(1308 306 035)	GERİ VİTES HİLALİ	GEAR SHIFT FORK / RG			◆	◆	◆
54	K20.00763	1308 306 071	1	GERİ VİTES HİLAL MİLİ	GEAR SHIFT FORK RAIL	New Type		◆	◆	◆
54		1308 306 057	1	GERİ VİTES HİLAL MİLİ	GEAR SHIFT FORK RAIL	Old Type		◆	◆	◆
55	K20.01348	0750 115 533	(0750 115 298)	GERİ VİTES MASURA BİLYA	NEEDLE CAGE	60.0X68.0X31.3mm		◆	◆	◆
56	K20.00766	1308 304 052	1	GERİ VİTES DİŞLİSİ 33 DİŞ	REVERSE GEAR 33 T			◆	◆	◆
57	K20.01721	0730 106 496	1	K.MİL ARKA BİLYA PULU	THRUST WASHER	4.00mm		◆	◆	◆
58	K20.01146	0735 300 511	(1246 203 008)	KAMALI MİL ARKA BİLYA	ROLLER BEARING			◆	◆	◆
59	K20.00767	1308 304 059	1	GÜNEŞ DİŞLİSİ 30 DİŞ	SUN GEAR 30 T			◆	◆	◆
60		0630 531 058	1	GÜNEŞ DİŞLİ SEKMANI	RETAINING RING	3.00mm		◆	◆	◆
60		0730 501 499	1	GÜNEŞ DİŞLİ SEKMANI	RETAINING RING	3.50mm		◆	◆	◆
61		1308 301 175	1	GRUP MİLİ ÖN BİLYA KAPAĞI	COVER			◆	◆	◆
62		0634 303 121	1	G.MİLİ ÖN BİLYA KAPAK ORİNGİ	O-RING	75X2.50mm		◆	◆	◆
63		0730 108 414	1	GRUP MİLİ ÖN BİLYA PULU	THRUST WASHER	2.40mm		◆	◆	◆
63		0730 104 302	1	GRUP MİLİ ÖN BİLYA PULU	THRUST WASHER	2.20mm		◆	◆	◆
63		0730 104 303	1	GRUP MİLİ ÖN BİLYA PULU	THRUST WASHER	2.00mm		◆	◆	◆
63		0730 106 656	1	GRUP MİLİ ÖN BİLYA PULU	THRUST WASHER	1.80mm		◆	◆	◆
64	K20.01147	0750 120 097	(0735 370 742)	GRUP MİLİ ÖN BİLYA	ROLLER BEARING	39.6X79.9X29.3mm		◆	◆	◆
65		0730 501 493	1	GRUP MİLİ ÖN BİLYA SEK.	RETAINING RING	2.50mm		◆	◆	◆
65		0730 501 489	1	GRUP MİLİ ÖN BİLYA SEK.	RETAINING RING	2.40mm		◆	◆	◆
66	K20.00769	1308 303 020	1	PRİZDİREK KARŞ.31 DİŞ	CONSTANT GEAR 31T			◆	◆	◆
66	K20.00768	1308 303 023	1	PRİZDİREK KARŞ.37 DİŞ	CONSTANT GEAR 37T			◆	◆	◆
67	K20.00771	1308 303 024	1	3.VİT.DİŞLİ KARŞ.37 DİŞ	GEAR 3rd 37T			◆	◆	◆
67	K20.00770	1308 303 027	1	3.VİT.DİŞLİ KARŞ.32 DİŞ	GEAR 3rd 32T			◆	◆	◆
68	K20.00772	1308 303 021	1	1./2.VİT.DİŞLİ KARŞ. 19/23 DİŞ	D.GEAR 1st/2nd 19/23T			◆	◆	◆
69	K20.00773	1308 303 022	1	GRUP MİLİ 14 DİŞ	COUNTER SHAFT 14T			◆	◆	◆
70	K20.01144	0735 370 438	(0750 117 198)	GRUP MİLİ ARKA BİLYA	ROLLER BEARING	39.6X76.2X23.8mm		◆	◆	◆
71		0630 502 022	1	KÜÇÜK GERİ VİT.KİLİT SEK.	LOCK PIN	1.75mm		◆	◆	◆
72	K20.00576	1304 305 030	(1304 305 002)	KÜÇÜK GERİ VİTES PİMİ	PIN			◆	◆	◆
73	K20.01333	0735 358 192	(0750 115 974)	KÜÇÜK GERİ VİT.MAS.BİLYA	NEEDLE CAGE	28.0X35.0X18.0mm		◆	◆	◆
74	K20.00774	1308 305 001	1	K.GERİ VİTES DİŞLİSİ 20 DİŞ	REV.IDLER GEAR 20 T			◆	◆	◆
75		1308 201 110	1	ŞANZIMAN ORTA GÖVDE	HOUSING	New Type		◆	◆	◆
75		1308 201 068	1	ŞANZIMAN ORTA GÖVDE	HOUSING	Old Type		◆	◆	◆
76		1304 301 318	1	ŞANZ.DAMPER KAPAĞI	COVER			◆	◆	◆

**NOTES** :

Alphabetical Coding has been done according to Input Shaft  
X1,X2,X3 are used conjunction with the encoded parts.

**NOTLAR** :

Alfabetik kodlamalar prizdireklere göre yapılmıştır.  
X1,X2,X3 ile kodlanan parçalar birlikte kullanılır.

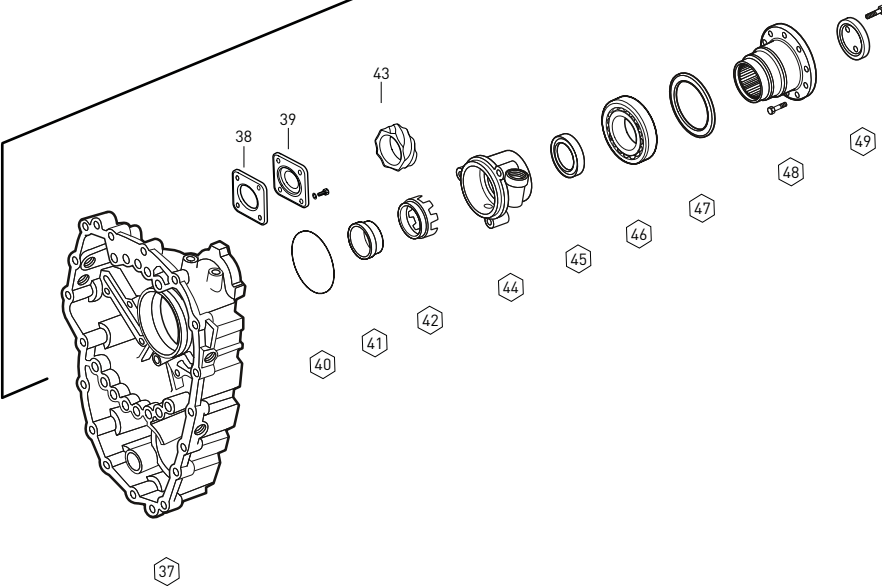
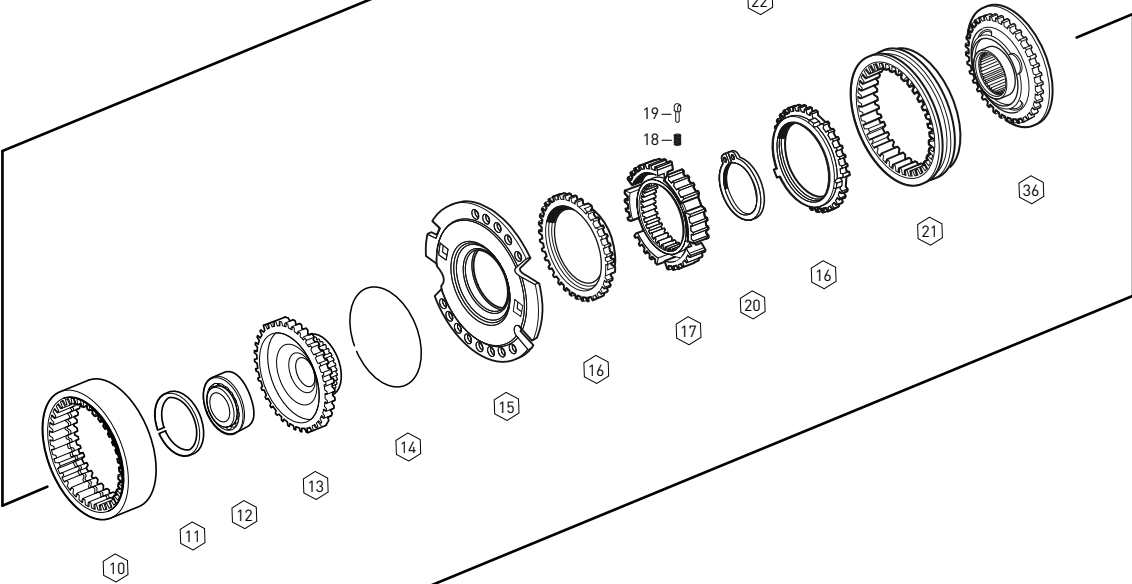
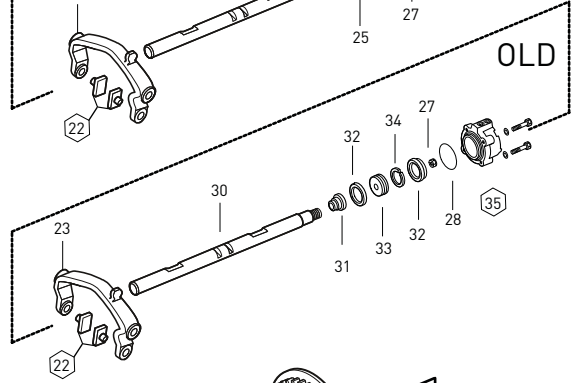
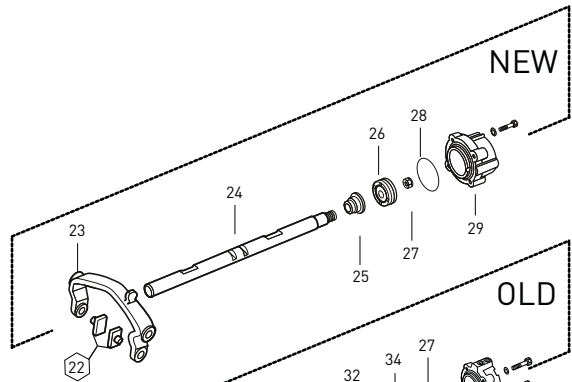
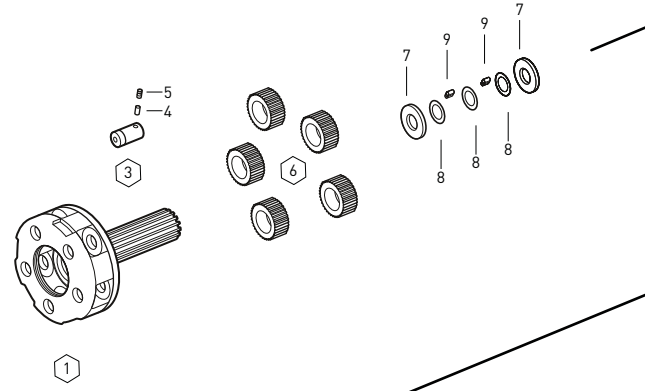
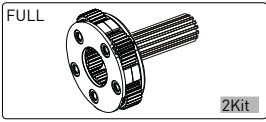


Fig.	Kacmaz No.	Oem No	Oem Old No	Pcs.	Ürün Tanımı	Description	Sizes	Notes	[X1]:	[X2]:
1	K20.00775	1308 232 011	(1308 232 009)	1	ŞANZIMAN HEYKELİ (BOŞ)	PLANETARY CARRIER	Empty		◆	◆
2	K20.00775	1308 232 011		1	ŞANZIMAN HEYKELİ (DOLU)	PLANETARY CARRIER	Full		◆	◆
3	K20.00777	1308 332 004		5	HEYKEL KOZA DİŞLİ PİMİ	PLANET SHAFT			◆	◆
4		0631 329 049		5	HEY.KOZA DİŞLİ PİM KİLİT PİMİ	LOCK PIN	5.0X22.0mm		◆	◆
5		0631 329 175		5	HEY.KOZA DİŞLİ PİM KİLİT PİMİ	LOCK PIN	3.0X22.0mm		◆	◆
6	K20.00776	1308 232 007		1	HEYKEL KOZA DİŞLİ TAKIMI	PLANETARY GEAR SET			◆	◆
7	K20.01508	0730 150 767	(0501 304 692)	10	HEYKEL KOZA DİŞLİ PULU	THRUST WASHER			◆	◆
8	K20.01509	0730 103 102		15	HEYKEL KOZA DİŞLİ PULU	THRUST WASHER			◆	◆
9	K20.01458	0735 470 155		200	HEYK.KOZA DİŞLİ TANE BİLYA	NEEDLE ROLLER	5X11.8mm		◆	◆
10	K20.00778	1308 332 026		1	ÇEMBER DİŞLİ 75 DİŞ	RING WHEEL 75 T			◆	◆
11		0730 513 744		1	PLANET ÇAN DİŞLİ BİLYA SEK.	RETAINING RING	2.00mm		◆	◆
11		0730 513 574		1	PLANET ÇAN DİŞLİ BİLYA SEK.	RETAINING RING	2.20mm		◆	◆
12	K20.01149	0635 338 090		1	PLANET ÇAN DİŞLİ BİLYASI	ROLLER BEARING	65.0X85.0X10.0mm		◆	◆
13	K20.00779	1308 332 034		1	PLANET ÇAN DİŞLİ 75 DİŞ	CARRIER HUB 75 T	H=59.0mm		◆	◆
14	K20.01723	0730 505 149		1	ÇEMBER DİŞLİ SEGMANI	SPRING RING	2.00mm		◆	◆
15	K20.00780	1308 233 003		1	TEPSİ SENKROMENÇ	FLANGE			◆	◆
16	K20.00781	1268 304 594	(1268 304 445)	2	AĞIR SERİ SENK.FRENLEME	SYNCHRONIZING CONE			◆	◆
17	K20.00782	1308 332 036		1	AĞIR SERİ YILDIZ DİŞLİ	GUIDE SLEEVE			◆	◆
18	K20.00110	0732 040 409		3	AĞIR SERİ YILDIZ DİŞLİ YAYI	SPRING			◆	◆
19	K20.00783	1297 304 437		3	AĞIR SERİ YILDIZ DİŞLİ FİŞEĞİ	PRESSURE PIECE			◆	◆
20		0730 501 574		1	SERİ SENKROMENÇ SEKMANI	RETAINING RING	2.90mm		◆	◆
20		0730 501 505		1	SERİ SENKROMENÇ SEKMANI	RETAINING RING	3.20mm		◆	◆
21	K20.00784	1308 332 015		1	AĞIR SERİ SENK.HALKA	ENGAGING SLEEVE			◆	◆
22	K20.00204	1297 306 120		2	AĞIR SERİ HİLAL PABUCU	SLIDING PAD			◆	◆
23	K20.00785	1308 334 001		1	AĞIR SERİ HİLALİ	GEAR SHIFT FORK			◆	◆
24	K20.00786	1308 334 014		1	AĞIR SERİ HİLAL MİLİ	GEAR SHIFT RAIL	NEW		◆	
25	K20.01017	0750 112 047		1	AĞIR SERİ HİLAL MİL KEÇESİ	FLANGE PACKING	22.0X36.0X14.5mm		◆	
26		0734 309 377		1	AĞIR SERİ HİLAL MİL PİSTONU	PISTON	NEW		◆	
27	K20.01774	0737 300 037	(0737 006 095)	1	AĞIR SERİ HİLAL MİL SOMUNU	NUT			◆	◆
28		0634 313 216		1	AĞIR SERİ SİLİNDİR ORİNGİ	O-RING	82.0X2.5mm		◆	◆
29		1308 334 011		1	AĞIR SERİ SİLİNDİR GÖVDESİ	CYLINDER	NEW		◆	
30		1308 334 009		1	AĞIR SERİ HİLAL MİLİ	GEAR SHIFT RAIL				◆
31	K20.01017	0750 112 047		1	AĞIR SERİ HİLAL MİL KEÇESİ	FLANGE PACKING	22.0X36.0X14.5mm			◆
32		0750 112 048		2	AĞIR SERİ HİLAL MİL KEÇESİ	SEAL RING	OLD - 53.0X63.0X5.0mm			◆
33		1297 334 053		1	AĞIR SERİ HİLAL MİL PİSTONU	PISTON	OLD			◆
34		0750 145 002		1	AĞIR SERİ HİLAL MİL FİBERİ	GUIDE RING	OLD			◆
35		1304 334 038		1	AĞIR SERİ SİLİNDİR GÖVDESİ	CYLINDER	OLD			◆
36	K20.00787	1308 232 010	(1308 232 006)	1	SERİ SENKROMENÇ	ENGAGING RING			◆	◆
37		1308 301 234		1	ŞANZIMAN ARKA GÖVDE	HOUSING			◆	◆
38		1238 308 201	(1238 308 166)	1	PTO BAĞLANTI KAPAK CONTASI	GASKET			◆	◆
39		1304 301 034		1	PTO BAĞLANTI KAPAĞI	COVER			◆	◆

NOTES :

X1,X2 are used conjunction with the encoded parts.

NOTLAR :

X1,X2 ile kodlanan parçalar birlikte kullanılır.



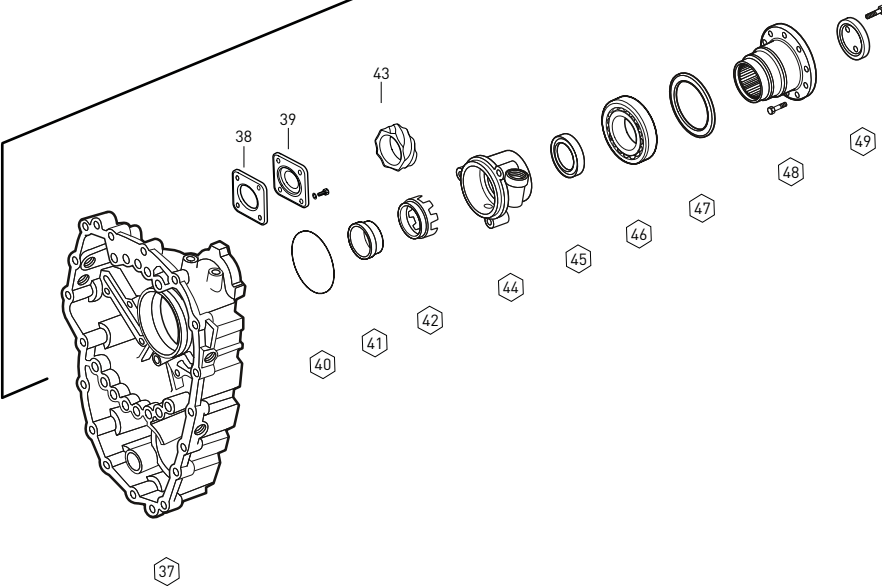
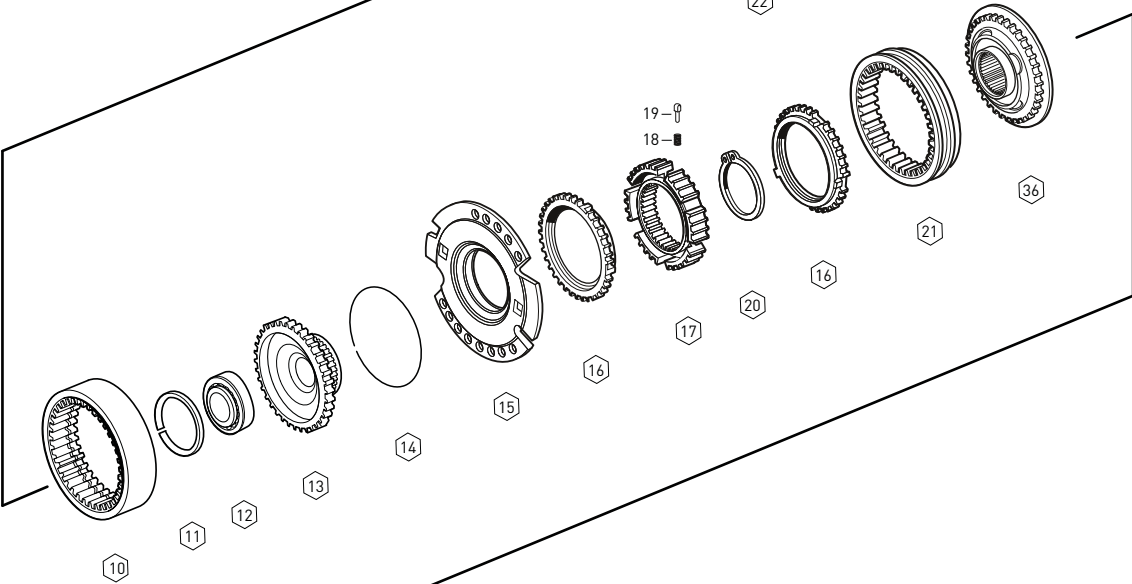
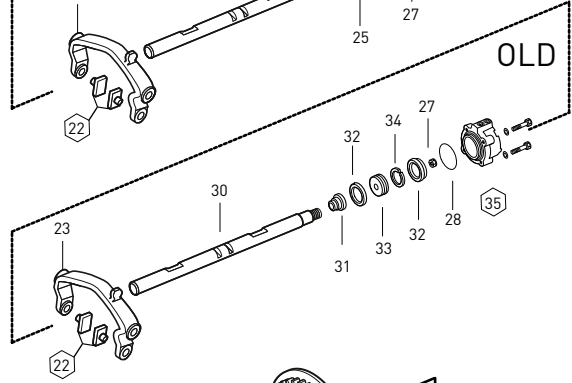
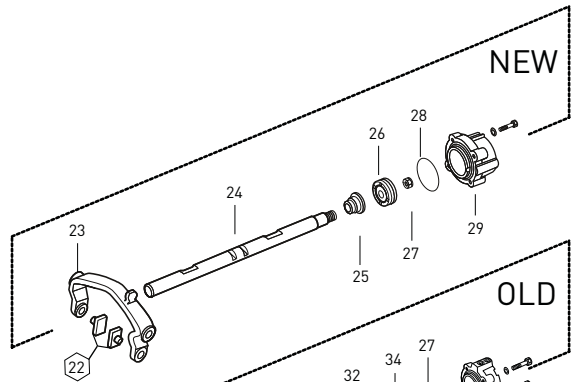
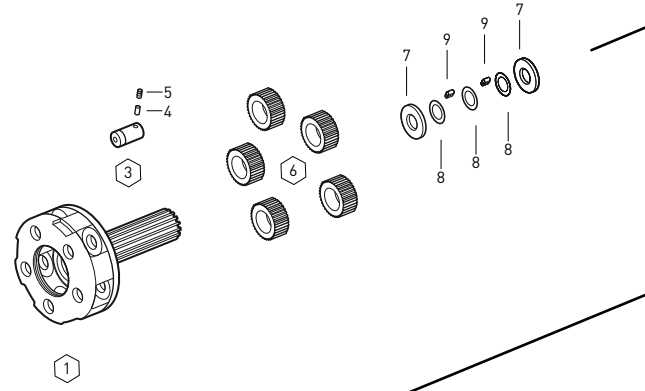
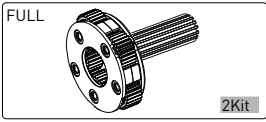


Fig.	Kacmaz No.	Oem No	Oem Old No	Pcs.	Ürün Tanımı	Description	Sizes	Notes	X1:	X2:
40		0634 313 424		1	ŞANZ.ARKA KAPAK ORİNGİ	O-RING	134.0X3.0mm		◆	◆
41		0730 162 694		1	ŞANZ.ARKA KAPAK BURCU	BUSHING			◆	◆
42		1308 308 008		1	ŞANZIMAN KM.DEVİR SACI	PULSE STAR			◆	◆
43		1308 308 009		1	ŞANZ.KİLOMETRE DIŞLİSİ	SPEEDOMETER GEAR			◆	◆
44		1308 301 120	(1308 301 116)	1	ŞANZIMAN ARKA KAPAK	COVER			◆	◆
45	K20.01029	0734 319 687	(0750 111 334)	1	ŞANZ.ARKA KAPAK KEÇESİ	OIL SEAL	80.0X100.0X10.0mm		◆	◆
46	K20.01150	0735 330 597		1	ŞANZIMAN ARKA BİLYA	ROLLER BEARING	65.0X120.0X23.0mm		◆	◆
47	K20.01724	0730 002 657		1	ŞANZ.ARKA BİLYA RAYNELİ	SHIM	1.50mm		◆	◆
47	K20.01725	0730 002 661		1	ŞANZ.ARKA BİLYA RAYNELİ	SHIM	1.10mm		◆	◆
47	K20.01726	2001726		1	ŞANZ.ARKA BİLYA RAYNELİ	SHIM	0.30mm		◆	◆
47	K20.01727	2001727		1	ŞANZ.ARKA BİLYA RAYNELİ	SHIM	0.20mm		◆	◆
47	K20.01728	2001728		1	ŞANZ.ARKA BİLYA RAYNELİ	SHIM	0.10mm		◆	◆
48	K20.00789	1308 338 013		1	ŞANZIMAN FLANŞI	COMPANION FLANGE	4-H, Ø150mm		◆	◆
48	K20.00788	1308 338 025		1	ŞANZIMAN FLANŞI	COMPANION FLANGE	4-H, Ø180mm		◆	◆
48		1308 338 026		1	ŞANZIMAN FLANŞI	COMPANION FLANGE	8-H, Ø175mm		◆	◆
48		1308 338 014		1	ŞANZIMAN FLANŞI	COMPANION FLANGE			◆	◆
48		1308 338 016		1	ŞANZIMAN FLANŞI	COMPANION FLANGE			◆	◆
48		1308 338 017		1	ŞANZIMAN FLANŞI	COMPANION FLANGE	8-H, Ø175mm		◆	◆
48		1308 338 024		1	ŞANZIMAN FLANŞI	COMPANION FLANGE			◆	◆
49	K20.01729	1240 304 117		1	ŞANZIMAN FLANŞ PULU	WASHER			◆	◆

**NOTES :**

X1,X2 are used conjunction with the encoded parts.

**NOTLAR :**

X1,X2 ile kodlanan parçalar birlikte kullanılır.

SYNCHRONIZER KIT Const./3rd

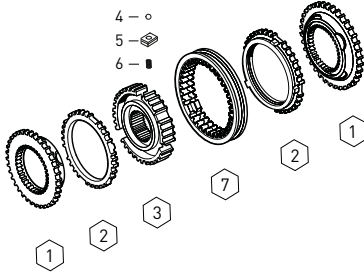


Fig.	Kacmaz No.	Oem No	Oem Old No	Pcs.	Ürün Tanımı	Description
	K20.01879	1308 298 008		Kit	PRİZ./3.VİT.SENKROMENÇ KİT	SYNCH.KIT Const./3rd.
1	K20.00734	1308 304 078		2	PRİZ./3.VİT.SENKROMENÇ	ENGAGING RING
2	K20.00735	1308 304 097	(1308 304 095)	2	PRİZ./3.VİT.SENK.FRENLEME	SYNCH.CONE
3	K20.00736	1308 304 111	(1307 304 607)	1	PRİZ./3.VİT.YILDIZ DIŞLİ	GUIDE SLEEVE
4	K20.01457	0635 460 010		3	YILDIZ DIŞLİ BİLYASI	BALL
5	K20.00738	1307 304 156		3	YILDIZ DIŞLİ FİŞEĞİ	PRESSURE PIECE
6	K20.00737	0732 041 571		3	YILDIZ DIŞLİ YAYI	SPRING
7	K20.00739	1308 304 090	(1307 304 076)	1	PRİZ./3.VİT.SENK.HALKA	ENGAGING SLEEVE

SYNCHRONIZER KIT Const./3rd

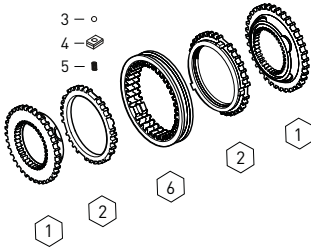


Fig.	Kacmaz No.	Oem No	Oem Old No	Pcs.	Ürün Tanımı	Description
	K20.01880	2001880		Kit	PRİZ./3.VİT.SENKROMENÇ KİT	SYNCH.KIT Const./3rd.
1	K20.00734	1308 304 078		2	PRİZ./3.VİT.SENKROMENÇ	ENGAGING RING
2	K20.00735	1308 304 097	(1308 304 095)	2	PRİZ./3.VİT.SENK.FRENLEME	SYNCH.CONE
3	K20.01457	0635 460 010		3	YILDIZ DIŞLİ BİLYASI	BALL
4	K20.00738	1307 304 156		3	YILDIZ DIŞLİ FİŞEĞİ	PRESSURE PIECE
5	K20.00737	0732 041 571		3	YILDIZ DIŞLİ YAYI	SPRING
6	K20.00739	1308 304 090	(1307 304 076)	1	PRİZ./3.VİT.SENK.HALKA	ENGAGING SLEEVE

SYNCHRONIZER KIT 1st./2nd

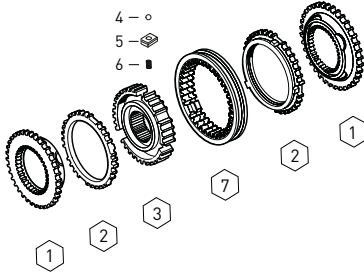


Fig.	Kacmaz No.	Oem No	Oem Old No	Pcs.	Ürün Tanımı	Description
	K20.01881	1308 298 010		Kit	1./2.VİT.SENKROMENÇ KİT	SYNCH.KIT 1st./2nd.
1	K20.00751	1308 304 077		2	1./2.VİT.SENKROMENÇ	ENGAGING RING
2	K20.00752	1308 304 096	(1308 304 094)	2	1./2.VİT.SENK.FRENLEME	SYNCH.CONE
3	K20.00753	1308 304 110	(1307 304 608)	1	1./2.VİT.YILDIZ DIŞLİ	GUIDE SLEEVE
4	K20.01457	0635 460 010		3	YILDIZ DIŞLİ BİLYASI	BALL
5	K20.00738	1307 304 156		3	YILDIZ DIŞLİ FİŞEĞİ	PRESSURE PIECE
6	K20.00737	0732 041 571		3	YILDIZ DIŞLİ YAYI	SPRING
7	K20.00754	1308 304 091	(1308 304 074)	1	1./2.VİT.SENK.HALKA	ENGAGING SLEEVE

SYNCHRONIZER KIT 1st./2nd

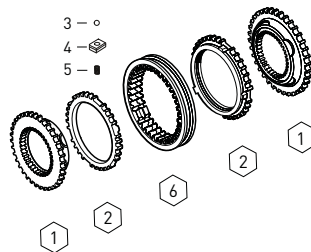


Fig.	Kacmaz No.	Oem No	Oem Old No	Pcs.	Ürün Tanımı	Description
	K20.01882	2001882		Kit	1./2.VİT.SENKROMENÇ KİT	SYNCH.KIT 1st./2nd.
1	K20.00751	1308 304 077		2	1./2.VİT.SENKROMENÇ	ENGAGING RING
2	K20.00752	1308 304 096	(1308 304 094)	2	1./2.VİT.SENK.FRENLEME	SYNCH.CONE
3	K20.01457	0635 460 010		3	YILDIZ DIŞLİ BİLYASI	BALL
4	K20.00738	1307 304 156		3	YILDIZ DIŞLİ FİŞEĞİ	PRESSURE PIECE
5	K20.00737	0732 041 571		3	YILDIZ DIŞLİ YAYI	SPRING
6	K20.00754	1308 304 091	(1308 304 074)	1	1./2.VİT.SENK.HALKA	ENGAGING SLEEVE

Fig.	Kacmaz No.	Oem No	Oem Old No	Pcs.	Ürün Tanımı	Description
	K20.01969	2001969		Kit	PRİZ.-3./1.-2.VİT.SENK.KİT	SYNCHRONIZER KIT
1	K20.00734	1308 304 078		2	PRİZ./3.VİT.SENKROMENÇ	ENGAGING RING
2	K20.00735	1308 304 097	(1308 304 095)	2	PRİZ./3.VİT.SENK.FRENLEME	SYNCH.CONE
3	K20.01457	0635 460 010		12	YILDIZ DİŞLİ BİLYASI	BALL
4	K20.00738	1307 304 156		6	YILDIZ DİŞLİ FİŞEĞİ	PRESSURE PIECE
5	K20.00737	0732 041 571		6	YILDIZ DİŞLİ YAYI	SPRING
6	K20.00739	1308 304 090	(1307 304 076)	1	PRİZ./3.VİT.SENK.HALKA	ENGAGING SLEEVE
7	K20.00751	1308 304 077		2	1./2.VİT.SENKROMENÇ	ENGAGING RING
8	K20.00752	1308 304 096	(1308 304 094)	2	1./2.VİT.SENK.FRENLEME	SYNCH.CONE
9	K20.00754	1308 304 091	(1308 304 074)	1	1./2.VİT.SENK.HALKA	ENGAGING SLEEVE

SYNCHRONIZER KIT Const.-3rd / 1st-2nd

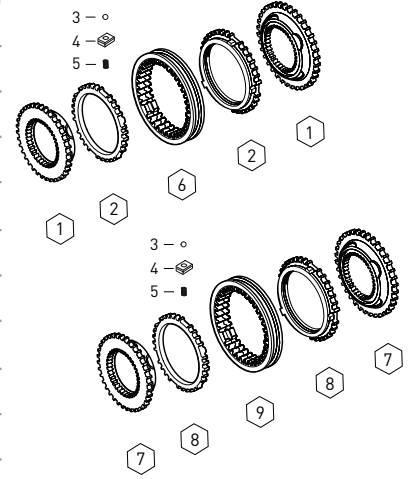


Fig.	Kacmaz No.	Oem No	Oem Old No	Pcs.	Ürün Tanımı	Description
	K20.01040	1308 298 001		Kit	ŞANZIMAN CONTA TAKIMI	GASKET KIT
1		1306 302 026		1	PRİZDİREK KEÇE KAPAK CONTASI	GASKET
2		0501 314 450		1	ŞANZIMAN ÖN GÖVDE CONTASI	GASKET
3		1308 301 026		1	ŞANZIMAN ORTA GÖVDE CONTASI	GASKET
4		1290 301 140		1	ŞANZIMAN DAMPER CONTASI	GASKET
5		1238 308 201		1	PTO BAĞLANTI KAPAK CONTASI	GASKET
6		0501 318 308		1	ŞANZIMAN KULE KAPAK CONTASI	GASKET
7		1308 307 032		1	ŞANZ.KULE ALT KAPAK CONTASI	GASKET

GEARBOX GASKET KIT

