

Fig.	Kacmaz No.	Oem No	Oem Old No	Pcs.	Ürün Tanımı	Description	Sizes	Notes	X1:9 S 1110-1111-1115 TD	X2:9 S 1110-1111-1115 TD	X3:9 S 1310-1311-1315 TD	X4:9 S 1310-1311-1315 TD
1		1304 302 354		1	PRİZDİREK KEÇE KAPAĞI	COVER		(B)	◆		◆	
1		1304 302 350		1	PRİZDİREK KEÇE KAPAĞI	COVER		(F)	◆		◆	
2		0501 322 828		1	PRİZ.KEÇE KAPAK CONTASI	GASKET			◆		◆	
3	K20.01008	0734 310 104		1	P.DİREK KAPAK ÖN KEÇE	OIL SEAL	52x68x8mm		◆		◆	
4		1324 302 026		1	KEÇE KAPAĞI VE YAĞ POMP.KAPAĞI	COVER				◆		◆
4		1324 302 024		1	KEÇE KAPAĞI VE YAĞ POMP.KAPAĞI	COVER				◆		◆
5		0501 322 825		1	KAPAK CONTASI	GASKET				◆		◆
5		1324 302 003		1	KAPAK CONTASI	GASKET				◆		◆
6		0634 313 046		1	KAPAK ORİNGİ	O-RING	74x3mm			◆		◆
7		1324 302 005		1	P.DİREK KEÇE KAPAĞI BORUSU	PIPE				◆		◆
8		0634 349 655		1	P.DİREK KAPAK ÖN KEÇE	OIL SEAL	55x70x10mm			◆		◆
9		0501 215 062		1	YAĞ POMPA DİŞLİ TAKIMI	OIL GEAR SET				◆		◆
10		1324 303 014		1	YAĞ POMPA KAPAĞI	COVER				◆		◆
11	K20.00982	0501 215 245		1	YAĞ POMPASI	OIL PUMP			◆		◆	
12	K20.02119	1324 301 169		1	ŞANZ.ÖN GÖVDE	HOUSING		(B)(F)	◆		◆	
13		1324 201 030		1	ŞANZ.ÖN GÖVDE	HOUSING		(R)(D)		◆		◆
13		1324 201 031		1	ŞANZ.ÖN GÖVDE	HOUSING		(M)		◆		◆
13		1324 201 028		1	ŞANZ.ÖN GÖVDE	HOUSING		(IV)		◆		◆
13		1324 201 058		1	ŞANZ.ÖN GÖVDE	HOUSING		(V)		◆		◆
14	K20.01986	0501 321 065		1	ŞANZ.ÖN GÖVDE CONTASI	GASKET		(B)(F)	◆		◆	
15		0501 321 879		1	ŞANZ.ÖN GÖVDE CONTASI	GASKET		(M)(IV)		◆		◆
15		0501 322 825		1	ŞANZ.ÖN GÖVDE CONTASI	GASKET		(R)		◆		◆
15		1324 302 003		1	ŞANZ.ÖN GÖVDE CONTASI	GASKET		(D)		◆		◆
16	K20.01151	0750 120 290	(0750 117 518)	1	P.DİREK BÜYÜK BİLYA	ROLLER BEARING	71.40x120x32.50mm		◆		◆	
16	K20.01157	0750 117 799		1	P.DİREK BÜYÜK BİLYA	ROLLER BEARING	75x130x27.20mm			◆		◆
17	K20.01805	1324 202 018	(1324 302 031)	1	PRİZDİREK 26 DİŞ	INPUT SHAFT 26 T		(B)	◆		◆	
17	K20.01809	1324 202 033	(1324 302 052)	1	PRİZDİREK 26 DİŞ	INPUT SHAFT 26 T		(F)	◆		◆	
17	K20.01948	1324 202 006		1	PRİZDİREK 26 DİŞ	INPUT SHAFT 26 T		(D)	◆		◆	
17	K20.01806	1324 202 036	(1324 302 056)	1	PRİZDİREK 32 DİŞ	INPUT SHAFT 32 T		(F)	◆		◆	
17	K20.01819	1324 202 004	(1324 302 004)	1	PRİZDİREK 32 DİŞ	INPUT SHAFT 32 T		(R)(V)		◆		◆
17	K20.01949	1324 202 012		1	PRİZDİREK 32 DİŞ	INPUT SHAFT 32 T		(IV)(M)		◆		◆
17	K20.00971	1324 202 014	(1324 302 029)	1	PRİZDİREK 32 DİŞ	INPUT SHAFT 32 T				◆		◆
18	K20.01501	1304 302 440		1	PRİZDİREK YAĞ BORUSU	PIPE			◆	◆	◆	◆
19		0630 501 063		1	PRİZDİREK YAĞ BORU SEKMANI	RETAINING RING	58x2mm		◆	◆	◆	◆
20		0630 501 120		1	KAMALI MİL UÇ BİLYA SEKMANI	RETAINING RING	42x2.40mm		◆	◆	◆	◆
20		0630 501 156		1	KAMALI MİL UÇ BİLYA SEKMANI	RETAINING RING	42x2.30mm		◆	◆	◆	◆
20		0630 501 210		1	KAMALI MİL UÇ BİLYA SEKMANI	RETAINING RING	42x2.20mm		◆	◆	◆	◆
20		0630 501 208		1	KAMALI MİL UÇ BİLYA SEKMANI	RETAINING RING	42x2.10mm		◆	◆	◆	◆
20		0630 501 157		1	KAMALI MİL UÇ BİLYA SEKMANI	RETAINING RING	42x2.00mm		◆	◆	◆	◆
21	K20.01109	0735 371 563	(0750 117 232)	1	KAMALI MİL UÇ BİLYA	ROLLER BEARING	42x40,39mm		◆	◆	◆	◆
			(0735 321 232)									
22	K20.00975	1324 204 009		1	PRİZ./3.VİTES SEKNROMENÇ TAKIM	ENGAGING RING SET			◆	◆	◆	◆
23	K20.00966	1324 304 011		2	PRİZ./3.VİTES SEKNROMENÇ	ENGAGING RING			◆	◆	◆	◆

**NOTES :**

X1,X2,X3,X4 are used in conjunction with the encoded parts.  
Alphabetical coding has been done according to Input Shaft.

**NOTLAR :**

X1,X2,X3,X4 ile kodlanan parçalar birlikte kullanılır.  
Alfabetik kodlamalar prizdireklere göre yapılmıştır.

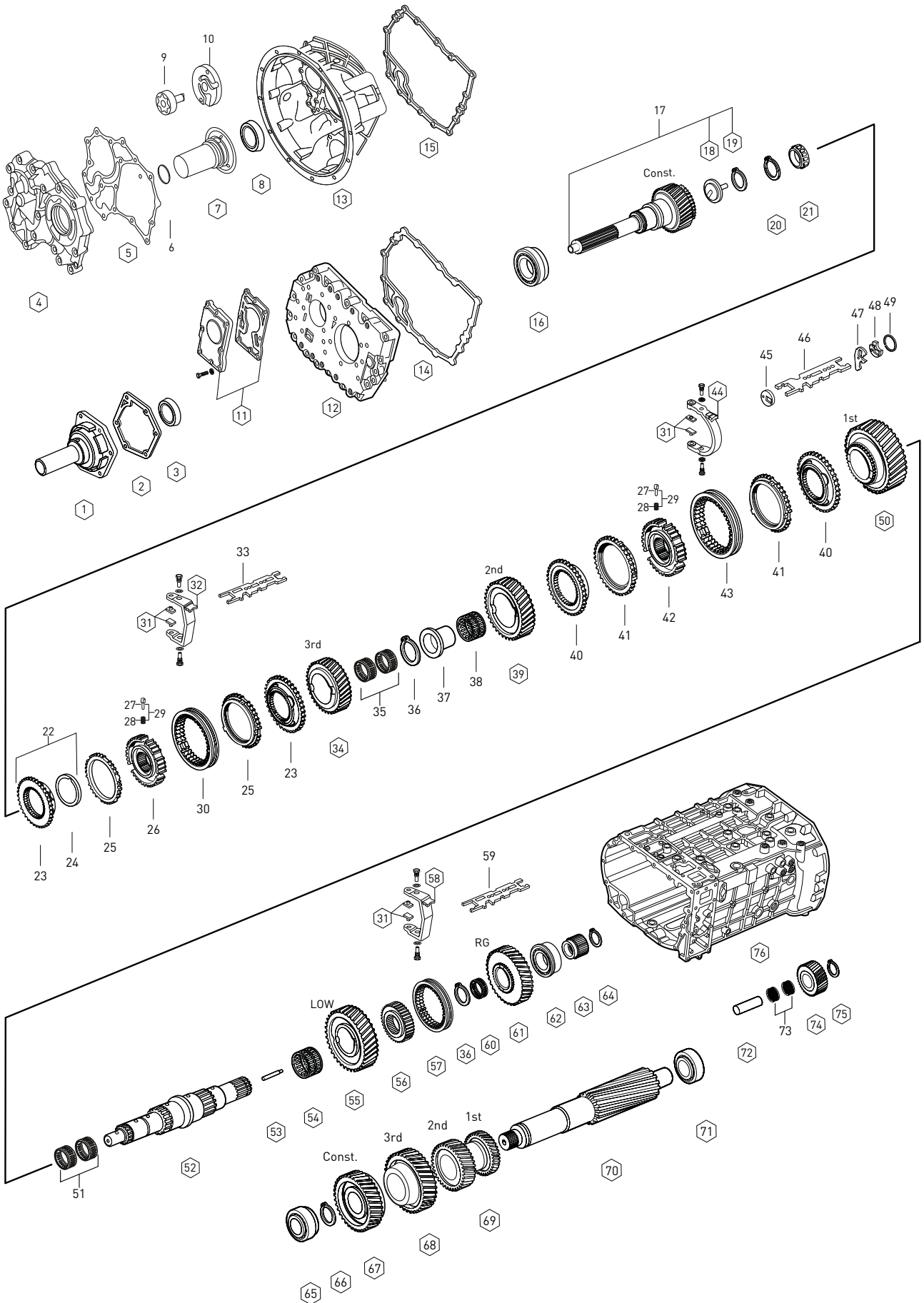
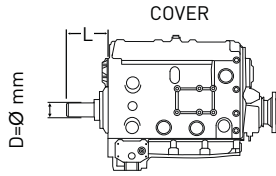
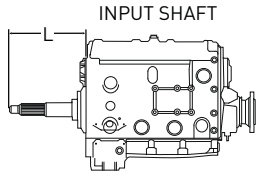


Fig.	Kacmaz No.	Oem No	Oem Old No	Pcs.	Ürün Tanımı	Description	Sizes	Notes	X1:9S1110-1111-1115TD	X2:9S1110-1111-1115TD	X3:9S1310-1311-1315TD	X4:9S1310-1311-1315TD
24	K20.01041	0501 314 108		1	PRİZDİREK KIL KEÇESİ	OIL SEAL	79x105.10x53mm		◆	◆	◆	◆
25	K20.00916	1311 304 255		2	PRİZ./3.VİTES FRENLEME	SYNCHRONIZING CONE			◆	◆	◆	◆
26	K20.00962	1324 304 006		1	PRİZ./3.VİTES YILDIZ DİŞLİ	GUIDE SLEEVE			◆	◆	◆	◆
27	K20.00111	1297 304 436		6	PRİZ-3.-2.-1.VİT.YIL.DİŞLİ FİŞEĞİ	PRESSURE PIECE			◆	◆	◆	◆
28	K20.00110	0732 040 409		6	PRİZ-3.-2.-1.VİT.YIL.DİŞLİ FİŞEK YAYI	SPRING			◆	◆	◆	◆
29	K20.01745	1295 298 956		kit	YILDIZ DİŞLİ YAY FİŞEK TAKIMI	REPAIR KİT			◆	◆	◆	◆
30	K20.01785	1311 304 103		1	PRİZ./3.VİTES SENK.HALKA	ENGAGING SLEEVE			◆	◆	◆	◆
31	K20.00169	1290 306 066		6	HİLAL PABUCU	SLIDING PAD			◆	◆	◆	◆
32		1324 306 032		1	PRİZ./3.VİTES HİLALİ	GEAR SHIFT FORK			◆		◆	
32		1324 306 031		1	PRİZ./3.VİTES HİLALİ	GEAR SHIFT FORK				◆		◆
33		1324 306 027		1	PRİZ./3.VİTES HİLAL ÇITASI	GEAR SHIFT RAIL			◆	◆	◆	◆
34	K20.00959	1324 304 085	(1324 304 009)	1	3.VİTES DİŞLİSİ 27 DİŞ	GEAR 3rd 27 T			◆		◆	
34	K20.00976	1324 304 003		1	3.VİTES DİŞLİSİ 27 DİŞ	GEAR 3rd 27 T				◆		◆
35	K20.01463	0750 115 969		2	3.VİTES MASURA BİLYA	NEEDLE CAGE	60x68x25mm		◆	◆	◆	◆
36		0630 501 278		2	3./GERİ VİTES YILDIZ DİŞLİ SEKMANI	RETAINING RING	1.90mm		◆	◆	◆	◆
36		0630 501 041		2	3./GERİ VİTES YILDIZ DİŞLİ SEKMANI	RETAINING RING	2.00mm		◆	◆	◆	◆
36		0630 501 070		2	3./GERİ VİTES YILDIZ DİŞLİ SEKMANI	RETAINING RING	2.10mm		◆	◆	◆	◆
36		0630 501 069		2	3./GERİ VİTES YILDIZ DİŞLİ SEKMANI	RETAINING RING	2.20mm		◆	◆	◆	◆
36		0630 501 068		2	3./GERİ VİTES YILDIZ DİŞLİ SEKMANI	RETAINING RING	2.30mm		◆	◆	◆	◆
36		0630 501 067		2	3./GERİ VİTES YILDIZ DİŞLİ SEKMANI	RETAINING RING	2.40mm		◆	◆	◆	◆
36		0630 531 141		2	3./GERİ VİTES YILDIZ DİŞLİ SEKMANI	RETAINING RING	2.50mm		◆	◆	◆	◆
37	K20.00320	1324 304 070	(1304 304 064)	1	3.VİTES MASURA BİLYA BURCU	BEARING RACE			◆	◆	◆	◆
			(1304 304 050)									
38	K20.01462	0750 115 970	(0750 115 227)	1	2.VİTES MASURA BİLYA	NEEDLE CAGE	75x83x40mm		◆	◆	◆	◆
39	K20.01788	1324 304 015		1	2.VİTES DİŞLİSİ 30 DİŞ	GEAR 2nd 30 T			◆	◆	◆	◆
40	K20.00965	1324 304 013		2	1./2.VİT.SENKOMENÇ	ENGAGING RING			◆	◆	◆	◆
41	K20.00781	1268 304 594	(1268 304 445)	2	1./2.VİT.SENK.FRENLEME	SYNCHRONIZING CONE			◆	◆	◆	◆
42	K20.00297	1324 304 052	(1304 304 591)	1	1./2.VİT.YILDIZ DİŞLİ	GUIDE SLEEVE			◆	◆	◆	◆
43	K20.00255	1324 304 053	(1304 304 597)	1	1./2.VİT.SENK.HALKA	ENGAGING SLEEVE			◆	◆	◆	◆
44		1324 306 013		1	1./2.VİTES HİLALİ	GEAR SHIFT FORK			◆		◆	
44		1324 306 036		1	1./2.VİTES HİLALİ	GEAR SHIFT FORK				◆		◆
45		1304 306 089		1	YATAK PLAKASI	BEARING PLATE			◆	◆	◆	◆
46		1324 306 026		1	VİTES ÇUBUĞU	GEAR SHIFT RAIL			◆	◆	◆	◆
46		1324 306 027		1	VİTES ÇUBUĞU	GEAR SHIFT RAIL			◆	◆	◆	◆
47		1324 306 034		1	KİTLEME KOLU	LOCKING LEVER			◆	◆	◆	◆
48		1304 306 090		1	YATAK PLAKASI	BEARING PLATE			◆	◆	◆	◆
49		0730 300 430		1	KİTLEME SEKMANI	RETAINING RING			◆	◆	◆	◆
50	K20.00977	1324 304 030		1	1.VİTES DİŞLİSİ 33 DİŞ	GEAR 1st 33 T			◆	◆	◆	◆
51	K20.01307	0750 115 971	(0735 320 816)	2	1.VİTES DİŞLİ MASURA BİLYA	NEEDLE CAGE	75x83x23mm		◆	◆	◆	◆
52	K20.00961	1324 304 005		1	KAMALI MİL	MAIN SHAFT			◆	◆	◆	◆
53	K20.01506	1324 304 014	(1312 304 150)	1	KAMALI MİL YAĞ BORUSU	OIL PIPE			◆	◆	◆	◆

## NOTES :

X1,X2,X3,X4 are used in conjunction with the encoded parts.

## NOTLAR :

X1,X2,X3,X4 ile kodlanan parçalar birlikte kullanılır.

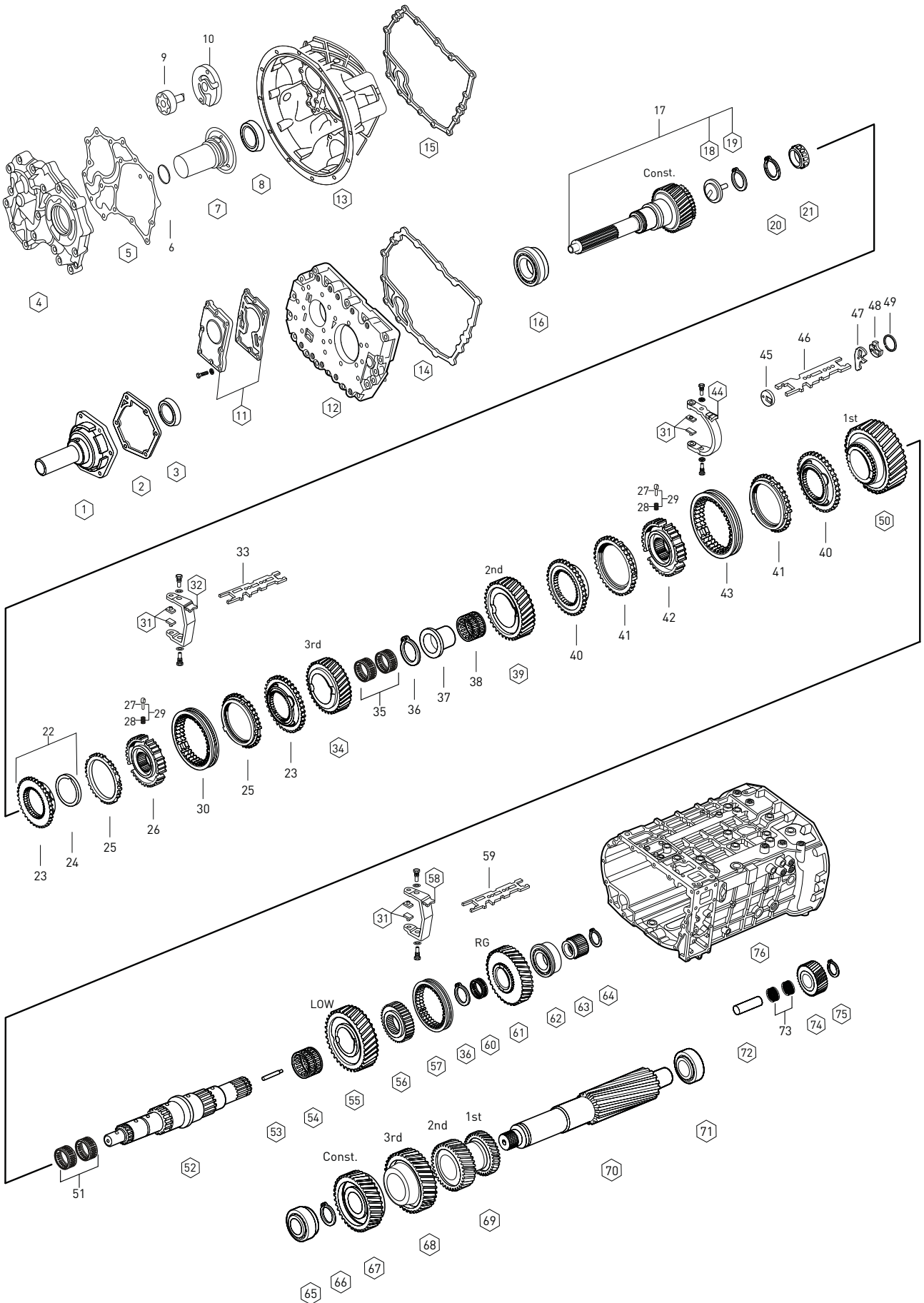
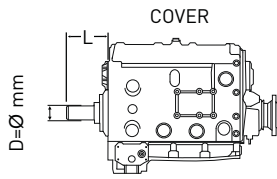
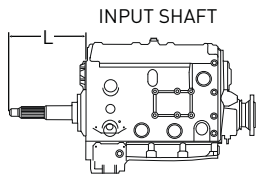




Fig.	Kacmaz No.	Oem No	Oem Old No	Pcs.	Ürün Tanımı	Description	Sizes	Notes	X1:9S1110-1111-1115TD	X2:9S1110-1111-1115TD	X3:9S1310-1311-1315TD	X4:9S1310-1311-1315TD
54	K20.01308	0750 115 972	[0735 320 500]	1	C.VİT.MASURA BİLYA	NEEDLE CAGE	75x83x35mm		◆	◆	◆	◆
55	K20.00309	1304 304 543		1	C.VİTES DİŞLİSİ 37 DİŞ	GEAR CRAWLING GEAR 37 T			◆	◆	◆	◆
56	K20.00080	1324 304 037	[1304 304 443]	1	C.VİT.YILDIZ DİŞLİ	HUB			◆	◆	◆	◆
57	K20.00311	1304 304 444		1	GERİ VİT.HALKASI	ENGAGING SLEEVE			◆	◆	◆	◆
58		1324 306 039		1	C VE GERİ VİTES HİLALİ	GEAR SHIFT FORK			◆	◆	◆	◆
59		1324 306 025	[1324 306 042]	1	VİTES ÇUBUĞU	GEAR SHIFT RAIL			◆	◆	◆	◆
60	K20.01309	0750 115 973	[0750 115 225]	1	GERİ VİTES MASURA BİLYA	NEEDLE CAGE	60x68x39mm		◆	◆	◆	◆
61	K20.00462	1324 304 021	[1304 304 553]	1	GERİ VİTES DİŞLİSİ 35 DİŞ	REVERSE GEAR 35 T			◆	◆	◆	◆
62	K20.01155	0750 117 844		1	KAMALI ARKA BİLYA	ROLLER BEARING	50.80x104.70x36.50mm		◆	◆	◆	◆
63	K20.01784	1324 304 028		1	GÜNEŞ DİŞLİ 46 DİŞ	SUN GEAR 46 T			◆	◆	◆	◆
64		0630 531 064		1	KAMALI MİL ARKA SEKMANI	RETAINING RING	50x2.50mm		◆	◆	◆	◆
64		0630 501 118		1	KAMALI MİL ARKA SEKMANI	RETAINING RING	50x2.60mm		◆	◆	◆	◆
64		0630 501 116		1	KAMALI MİL ARKA SEKMANI	RETAINING RING	50x2.70mm		◆	◆	◆	◆
64		0630 501 114		1	KAMALI MİL ARKA SEKMANI	RETAINING RING	50x2.80mm		◆	◆	◆	◆
64		0630 501 112		1	KAMALI MİL ARKA SEKMANI	RETAINING RING	50x2.90mm		◆	◆	◆	◆
64		0630 501 111		1	KAMALI MİL ARKA SEKMANI	RETAINING RING	50x2.95mm		◆	◆	◆	◆
65	K20.01154	0750 117 881	[0735 371 096]	1	GRUP MİLİ ÖN BİLYA	ROLLER BEARING	40x85x33mm		◆	◆	◆	◆
66		0630 501 040		1	GRUP MİLİ ÖN BİLYA SEKMANI	RETAINING RING	58x2mm		◆	◆	◆	◆
67	K20.01790	1324 303 007		1	PRİZ.DİŞLİ KARŞILIĞI 36 DİŞ	CONSTANT GEAR 36 T			◆	◆	◆	◆
67	K20.01795	1324 303 004		1	PRİZ.DİŞLİ KARŞILIĞI 33 DİŞ	CONSTANT GEAR 33 T			◆	◆	◆	◆
68	K20.00964	1324 303 018		1	3.VİTES DİŞLİ KARŞILIĞI 28 DİŞ	GEAR 3rd 28 T			◆	◆	◆	◆
68	K20.00972	1324 303 003		1	3.VİTES DİŞLİ KARŞILIĞI 37 DİŞ	GEAR 3rd 37 T			◆	◆	◆	◆
69	K20.00963	1324 303 017	[1324 303 015]	1	1./2.VİT.DİŞLİ KARŞ.18-23 DİŞ	DOUBLE GEAR 1st/2nd T			◆	◆	◆	◆
70	K20.00960	1324 303 001		1	GRUP MİLİ 14 DİŞ	COUNTER SHAFT 14 T			◆	◆	◆	◆
71	K20.01123	0750 120 291	[0750 117 083]	1	GRUP MİLİ ARKA BİLYA	ROLLER BEARING	50.80x95.20x27.70mm		◆	◆	◆	◆
			[0750 120 067]									
72	K20.00576	1304 305 030	[1304 305 002]	1	KÜÇÜK GERİ VİTES PİMİ	PIN			◆	◆	◆	◆
73	K20.01333	0750 115 974		2	KÜÇÜK GERİ VİT.MAS.BİLYA	NEEDLE CAGE			◆	◆	◆	◆
74	K20.01950	1324 305 001		1	K.GERİ VİTES DİŞLİSİ 21 DİŞ	REV.IDLER GEAR 21 T			◆	◆	◆	◆
75		0630 502 022		1	K.GERİ VİTES DİŞLİ SEKMANI	RETAINING RING	40x1.75mm		◆	◆	◆	◆
76		1324 201 041		1	ŞANZIMAN ORTA GÖVDE	HOUSING		(B)(F)	◆	◆	◆	◆
76		1324 201 045		1	ŞANZIMAN ORTA GÖVDE	HOUSING		(F)	◆	◆	◆	◆
76		1324 201 033		1	ŞANZIMAN ORTA GÖVDE	HOUSING		(R)(IV)	◆	◆	◆	◆
76		1324 201 029		1	ŞANZIMAN ORTA GÖVDE	HOUSING		(M)(IV)	◆	◆	◆	◆
76		1324 201 025		1	ŞANZIMAN ORTA GÖVDE	HOUSING		(D)	◆	◆	◆	◆

**NOTES :**

X1,X2,X3,X4 are used in conjunction with the encoded parts.  
Alphabetical coding has been done according to Input Shaft.

**NOTLAR :**

X1,X2,X3,X4 ile kodlanan parçalar birlikte kullanılır.  
Alfabetik kodlamalar prizdireklere göre yapılmıştır.

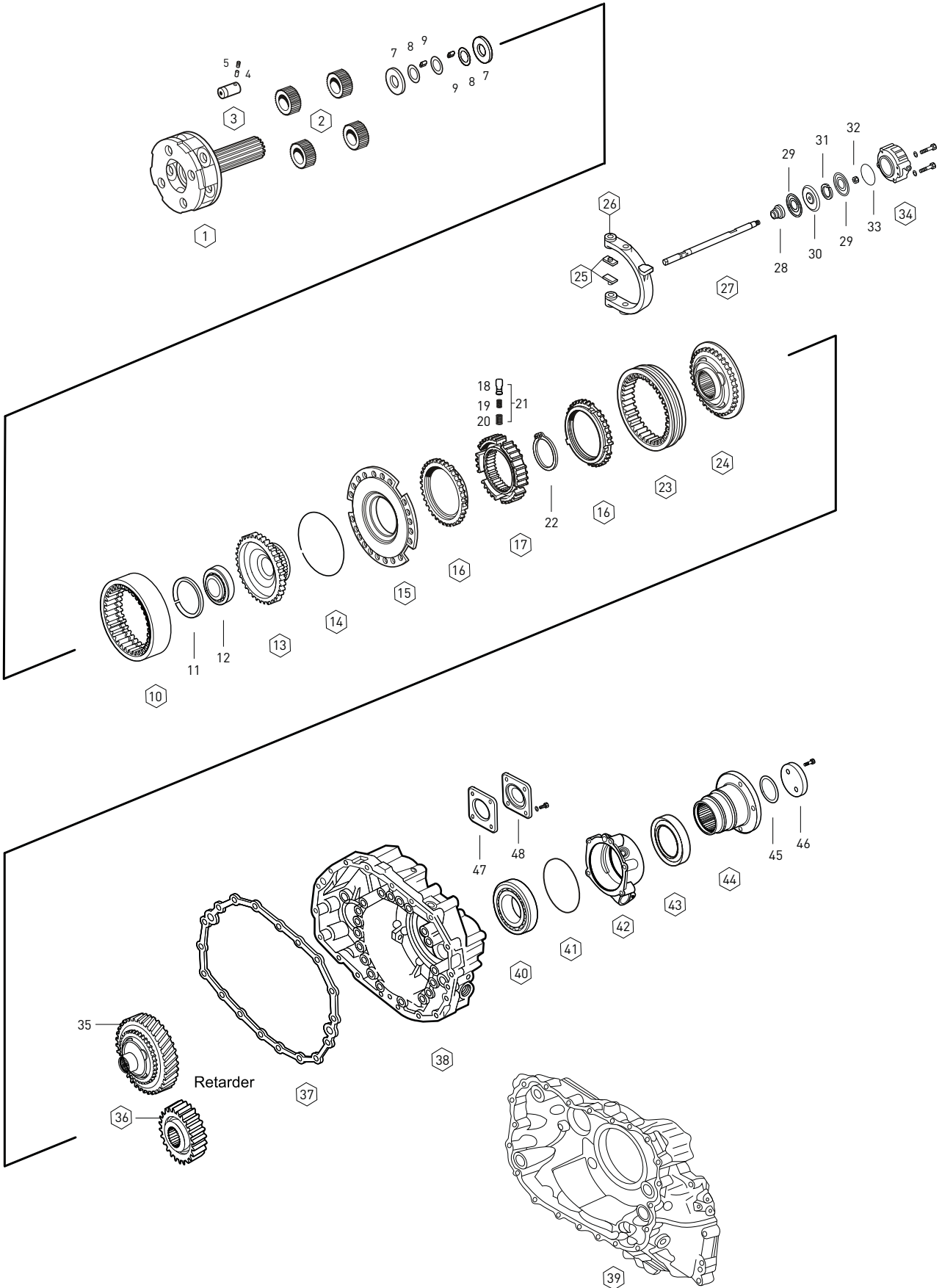
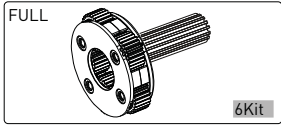


Fig.	Kacmaz No.	Oem No	Oem Old No	Pcs.	Ürün Tanımı	Description	Sizes	Notes	X1:9 S 1110-1111-1115 TD	X2:9 S 1110-1111-1115 TO	X3:9 S 1310-1311-1315 TD	X4:9 S 1310-1311-1315 TO
1	K20.00979	1324 232 004		1	ŞANZIMAN HEYKELİ	PLANETARY CARRIER			◆	◆	◆	◆
2	K20.01787	1324 232 002		1	HEYKEL KOZA DİŞLİ TAKIMI	PLANETARY GEAR SET			◆	◆	◆	◆
3	K20.01789	1324 332 016		4	HEYKEL KOZA DİŞLİ PİMİ	PLANETARY SHAFT			◆	◆	◆	◆
4		0631 329 049		4	KOZA DİŞLİ PİMİ	PIN			◆	◆	◆	◆
5		0631 329 175		4	KOZA DİŞLİ PİMİ	PIN			◆	◆	◆	◆
6		1324 232 004		1	ŞANZIMAN HEYKELİ (DOLU)	PLANETARY CARRIER	FULL		◆	◆	◆	◆
7	K20.01508	0730 150 767	(0501 304 692)	10	HEYKEL KOZA DİŞLİ PULU	THRUST WASHER			◆	◆	◆	◆
8	K20.01509	0730 103 102		12	HEYKEL KOZA DİŞLİ PULU	THRUST WASHER			◆	◆	◆	◆
9	K20.01451	0735 470 115		160	HEYK.KOZA DİŞ.TANE BİL.	NEEDLE ROLLER	5x15.30mm		◆	◆	◆	◆
10	K20.00981	1324 332 018		1	ÇEMBER DİŞLİ 114 DİŞ	RING WHEEL 114 T			◆	◆	◆	◆
11		0730 513 758		1	ÇEMBER DİŞLİ BİLYA SEKMANI	RETAINING RING	2.20mm		◆	◆	◆	◆
12		0750 116 482	(0735 330 804)	1	ÇEMBER DİŞLİ BİLYASI	ROLLER BEARING	70x110x13mm		◆	◆	◆	◆
13	K20.00980	1324 332 048	(1324 332 007)	1	PLANET ÇAN DİŞLİ 114 DİŞ	CARRIER HUB			◆	◆	◆	◆
14		0730 505 053		1	ÇEMBER DİŞLİ SEKMANI	SPRING RING			◆	◆	◆	◆
15	K20.00230	1324 233 006	(1304 233 006)	1	TEPSİ SENKROMENÇ	FLANGE			◆	◆	◆	◆
16	K20.00038	1296 333 045		2	AĞIR SERİ SENK.FRENLEME	SYNCHRONIZING CONE			◆	◆	◆	◆
17	K20.00185	1313 333 001		1	AĞIR SERİ YILDIZ DİŞLİ	GUIDE SLEEVE			◆	◆	◆	◆
18	K20.00471	1240 304 278		9	AĞIR SERİ YILDIZ DİŞLİ YAYI	PRESSURE PIECE			◆	◆	◆	◆
19	K20.00469	0732 040 385		9	AĞIR SERİ YILDIZ DİŞLİ YAYI	SPRING			◆	◆	◆	◆
20	K20.00470	0732 040 386		9	AĞIR SERİ YILDIZ DİŞ.FİŞEĞİ	SPRING			◆	◆	◆	◆
21	K20.00474	1295 298 933		1	YILDIZ DİŞLİ YAY FİŞEK TK.	REPAIR KIT			◆	◆	◆	◆
22		0630 501 175		1	YILDIZ DİŞLİ SEKMANI	RETAINING RING	3.70mm		◆	◆	◆	◆
22		0630 501 174		1	YILDIZ DİŞLİ SEKMANI	RETAINING RING	3.80mm		◆	◆	◆	◆
22		0630 501 173		1	YILDIZ DİŞLİ SEKMANI	RETAINING RING	3.90mm		◆	◆	◆	◆
22		0630 501 061		1	YILDIZ DİŞLİ SEKMANI	RETAINING RING	4.00mm		◆	◆	◆	◆
23	K20.00267	1304 333 011		1	AĞIR SERİ HALKA	ENGAGING SLEEVE			◆	◆	◆	◆
24	K20.00841	1324 233 001		1	SERİ SENKROMENÇ	ENGAGING RING			◆	◆	◆	◆
25	K20.00328	1272 334 003		2	AĞIR SERİ HİLAL PABUCU	SLIDING PAD			◆	◆	◆	◆
26		1304 334 063		1	AĞIR SERİ HİLALİ	GEAR SHIFT FORK			◆	◆	◆	◆
27		1324 334 009		1	AĞIR SERİ HİLAL MİLİ	GEAR SHIFT RAIL			◆	◆	◆	◆
28	K20.01017	0750 112 047		1	ŞAPKALI KEÇE	FLANGE PACKING	22x36x14ç50mm		◆	◆	◆	◆
29	K20.01018	0734 307 287		2	AĞIR SERİ KEÇESİ	SEAL RING	50x100x7.50mm		◆	◆	◆	◆
30		1315 334 041		1	AĞIR SERİ HİLAL MİL PİSTONU	PISTON			◆	◆	◆	◆
31	K20.01614	0750 112 096		1	AĞIR SERİ HİLAL MİL FİBERİ	GUIDE RING			◆	◆	◆	◆
32		0737 300 037		1	AĞIR SERİ HİLAL MİL SOMUNU	NUT	M16x1.50mm		◆	◆	◆	◆
33		0634 313 338		1	AĞIR SERİ SİLİNDİR ORİNGİ	O-RING	108x3mm		◆	◆	◆	◆
34	K20.00888	1304 334 079	(1304 334 073)	1	AĞIR SERİ SİLİNDİR GÖVDESİ	CYLINDER			◆	◆	◆	◆
35	K20.00323	1304 232 085	(1304 232 083)	1	SERİ SENKROMENÇ 55 DİŞ	ENGAGING RING 55 T	RETARDER		◆	◆	◆	◆
36	K20.00584	6085 301 003		1	RETARDER DİŞLİSİ	GEAR	RETARDER		◆	◆	◆	◆
37		1304 301 305		1	KAPAK CONTASI	GASKET			◆	◆	◆	◆
38		1324 301 176		1	ŞANZIMAN ARKA GÖVDE	HOUSING			◆	◆	◆	◆

## NOTES :

X1,X2,X3,X4 are used in conjunction with the encoded parts.

## NOTLAR :

X1,X2,X3,X4 ile kodlanan parçalar birlikte kullanılır.



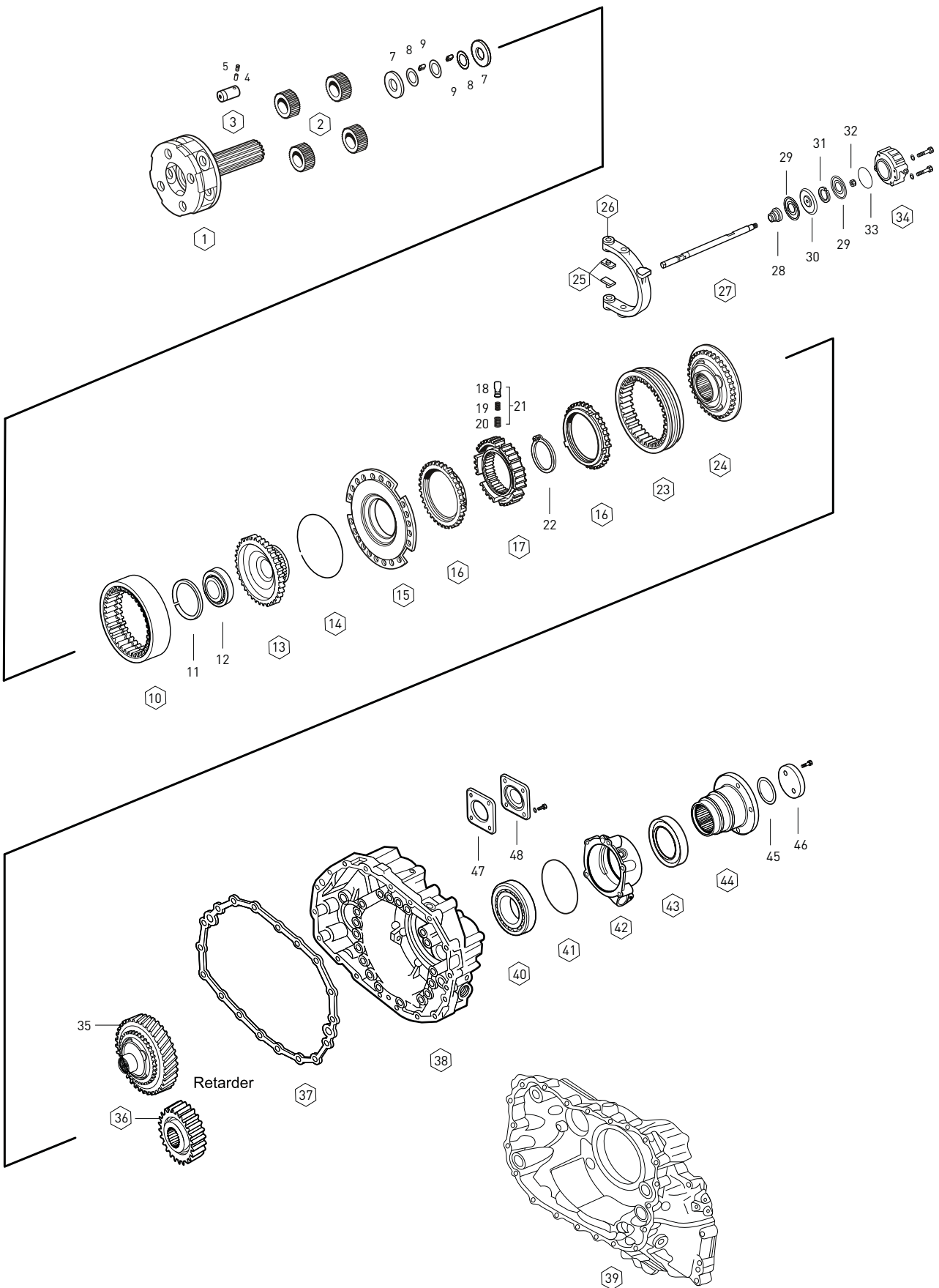
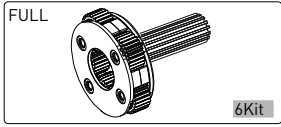


Fig. Kacmaz No.	Oem No	Oem Old No	Pcs.	Ürün Tanımı	Description	Sizes	Notes	X1:9S 1110-1111-1115TD	X2:9S 1110-1111-1115TD	X3:9S 1310-1311-1315TD	X4:9S 1310-1311-1315TD
39		1304 201 043		1 ŞANZUMAN ARKA GÖVDE	HOUSING	RETARDER		◆	◆	◆	◆
40	K20.01156	0750 116 404	[0750 116 197]	1 ŞANZIMAN ARKA BİLYA	ROLLER BEARING			◆	◆	◆	◆
41		0631 349 953		1 ŞANZ. ARKA KEÇE KAPAK ORİNGİ	O-RING	138x3mm		◆	◆	◆	◆
42		1304 301 410		1 ŞANZIMAN ARKA KEÇE KAPAĞI	COVER			◆	◆	◆	◆
43	K20.01022	0734 300 421	[0734 319 459]	1 ŞANZIMAN ARKA KEÇE	OIL SEAL	105x125x12mm		◆	◆	◆	◆
44		1324 338 004		1 ŞANZIMAN FLANŞI	COMP.FLANGE			◆	◆	◆	◆
45		0634 313 223		1 ŞANZIMAN FLANŞ ORİNGİ	O-RING			◆	◆	◆	◆
46	K20.01626	1304 338 045		1 ŞANZIMAN FLANŞ PULU	WASHER			◆	◆	◆	◆
47		1238 308 201	[1238 308 166]	1 PTO BAĞLANTI KAPAK CONTASI	GASKET			◆	◆	◆	◆
48		1304 301 034		1 PTO BAĞLANTI KAPAĞI	COVER			◆	◆	◆	◆

NOTES :  
X1,X2,X3,X4 are used in conjunction with the encoded parts.

NOTLAR :  
X1,X2,X3,X4 ile kodlanan parçalar birlikte kullanılır.

9 S 1110-1111-1115 TD-TO, 9 S 1310-1311-1315 TD-TO

SYNCHRONIZER KIT Const./3rd

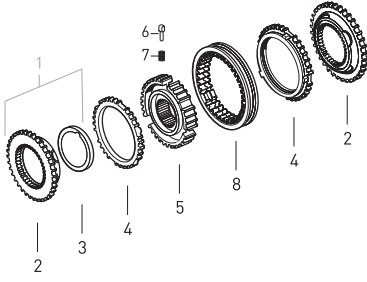


Fig.	Kacmaz No.	Oem No	Oem Old No	Pcs.	Ürün Tanımı	Description
	K20.01883	1324 298 004		Kit	PRİZ./3.VİT.SENK.TAKIMI	SYNCH.KIT Const./3rd
1	K20.00975	1324 204 009		1	PRİZ./3.VİT.SENK.TAKIMI	ENGAGING RING SET
2	K20.00966	1324 304 011		1	PRİZ./3.VİT.SENKROMENÇ	ENGAGING RING
3	K20.01041	0501 314 108		1	SENKROMENÇ KEÇESİ	OIL SEAL
4	K20.00916	1311 304 255		2	PRİZ./3.VİTES FRENLEME	SYNCH.CONE
5	K20.00962	1324 304 006		1	PRİZ./3.VİTES YILDIZ DİŞLİ	GUIDE SLEEVE
6	K20.00111	1297 304 436		3	PRİZ./3.VİT.YIL.DİŞLİ FİŞEĞİ	PRESSURE PIECE
7	K20.00110	0732 040 409		3	PRİZ./3.VİT.YIL.DİŞLİ YAYI	SPRING
8	K20.01785	1311 304 103		1	PRİZ./3.VİTES SENK.HALKA	ENGAGING SLEEVE

SYNCHRONIZER KIT Const./3rd

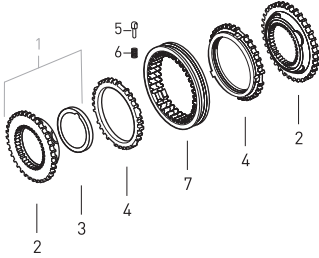


Fig.	Kacmaz No.	Oem No	Oem Old No	Pcs.	Ürün Tanımı	Description
	K20.01884	2001884		Kit	PRİZ./3.VİT.SENK.TAKIMI	SYNCH.KIT Const./3rd
1	K20.00975	1324 204 009		1	PRİZ./3.VİT.SENK.TAKIMI	ENGAGING RING SET
2	K20.00966	1324 304 011		1	PRİZ./3.VİT.SENKROMENÇ	ENGAGING RING
3	K20.01041	0501 314 108		1	SENKROMENÇ KEÇESİ	OIL SEAL
4	K20.00916	1311 304 255		2	PRİZ./3.VİTES FRENLEME	SYNCH.CONE
5	K20.00111	1297 304 436		3	PRİZ./3.VİT.YIL.DİŞLİ FİŞEĞİ	PRESSURE PIECE
6	K20.00110	0732 040 409		3	PRİZ./3.VİT.YIL.DİŞLİ YAYI	SPRING
7	K20.01785	1311 304 103		1	PRİZ./3.VİTES SENK.HALKA	ENGAGING SLEEVE

SYNCHRONIZER KIT 1st/2nd

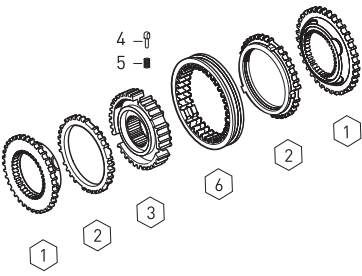


Fig.	Kacmaz No.	Oem No	Oem Old No	Pcs.	Ürün Tanımı	Description
	K20.01885	1324 298 003		Kit	1./2.VİT.SENKROMENÇ KİT	SYNCH.KIT 1st/2nd
1	K20.00965	1324 304 013		2	1./2.VİT.SENKROMENÇ	ENGAGING RING
2	K20.00781	1268 304 594		2	1./2.VİT.SENK.FRENLEME	SYNCH.CONE
3	K20.00297	1324 304 052 (1304 304 591)		1	1./2.VİT.YILDIZ DİŞLİ	GUIDE SLEEVE
4	K20.00111	1297 304 436		3	1./2.VİT.YILDIZ DİŞLİ FİŞEĞİ	PRESSURE PIECE
5	K20.00110	0732 040 409		3	1./2.VİT.YILDIZ DİŞLİ YAYI	SPRING
6	K20.00255	1324 304 053 (1304 304 597)		1	1./2.VİT.SENK.HALKA	ENGAGING SLEEVE

SYNCHRONIZER KIT 1st/2nd

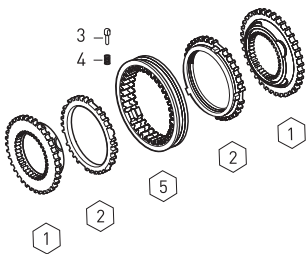


Fig.	Kacmaz No.	Oem No	Oem Old No	Pcs.	Ürün Tanımı	Description
	K20.01886	2001886		Kit	1./2.VİT.SENKROMENÇ KİT	SYNCH.KIT 1st/2nd
1	K20.00965	1324 304 013		2	1./2.VİT.SENKROMENÇ	ENGAGING RING
2	K20.00781	1268 304 594		2	1./2.VİT.SENK.FRENLEME	SYNCH.CONE
3	K20.00111	1297 304 436		3	1./2.VİT.YILDIZ DİŞLİ FİŞEĞİ	PRESSURE PIECE
4	K20.00110	0732 040 409		3	1./2.VİT.YILDIZ DİŞLİ YAYI	SPRING
5	K20.00255	1324 304 053 (1304 304 597)		1	1./2.VİT.SENK.HALKA	ENGAGING SLEEVE

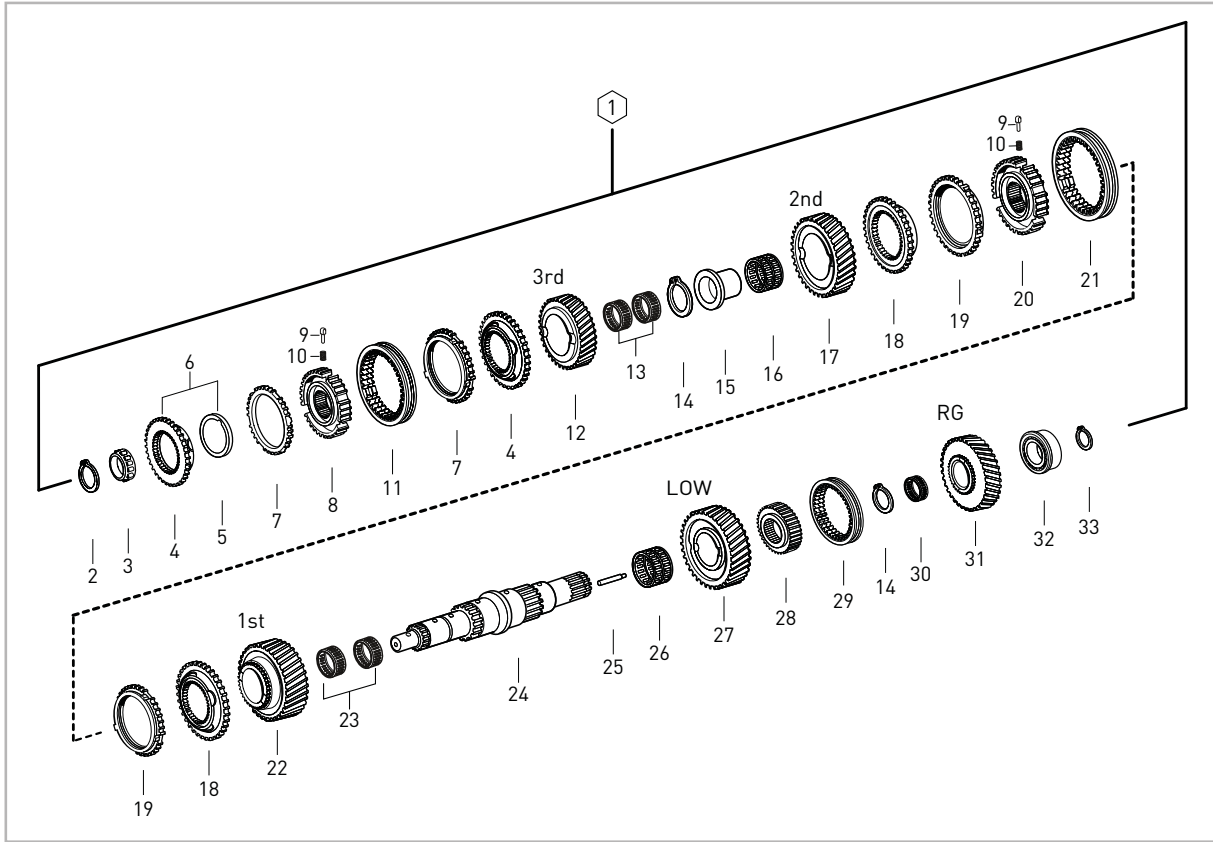


Fig Kacmaz No.	Oem No	Oem Old No	Pcs.	Ürün Tanımı	Description	Sizes
1	K20.00997	2000997		kit KAMALI MİL KOMPLE	MAIN SHAFT COMPLETE	
2		0630 501 157	1	KAMALI MİL UÇ BİLYA SEKMANI	RETAINING RING	42x2.00mm
3	K20.01109	0750 117 232	1	KAMALI MİL UÇ BİLYA	ROLLER BEARING	42x40.39mm
4	K20.00966	1324 304 011	2	PRİZ.VE 3.VİT.KİLİT SENKROMENÇ	ENGAGING RING	
5	K20.01041	0501 314 108	1	SENKROMENÇ KEÇESİ	OIL SEAL	
6	K20.00975	1324 204 009	1	PRİZ.VE 3.VİT.SENKROMENÇ KEÇELİ	ENGAGING RING	
7	K20.00916	1311 304 255	2	PRİZ. VE 3.VİTES SENK.FRENLEME	SYNCHRONIZING CONE	
8	K20.00962	1324 304 006	1	PRİZ.VE 3.VİT.YILDIZ DIŞLI	GUIDE SLEEVE	
9	K20.00111	1297 304 436	6	3.VİTES YILDIZ DIŞLI FİŞEĞİ	PRESSURE PIECE	
10	K20.00110	0732 040 409	6	3.VİTES YILDIZ DIŞLI FİŞEK YAYI	SPRING	
11	K20.01785	1311 304 103	1	PRİZ. VE 3.VİTES SENK.HALKA	ENGAGING SLEEVE	
12	K20.00959	1324 304 009	[1324 304 085]	3.VİTES DIŞLISI 27 DIŞ	GEAR 3rd 27 T	
13	K20.01463	0750 115 969	2	3.VİTES MASURA BİLYA	NEEDLE CAGE	60x68x25mm
14		0630 501 041	2	3./C.VİT. MAS.BİL.ÇANAK SEKMANI	RETAINING RING	60x2.40mm
15	K20.00320	1324 304 070	[1304 304 050]	3.VİTES MASURA BİLYA ÇANAĞI	BEARING RACE	
16	K20.01462	0750 115 970	[0750 115 227]	2.VİTES MASURA BİLYA	NEEDLE CAGE	75x83x40mm
17	K20.01788	1324 304 015	1	2.VİTES DIŞLISI 30 DIŞ	GEAR 2nd 30 T	
18	K20.00965	1324 304 013	2	1./2.VİTES KİLİT SENKROMENÇ	ENGAGING RING	
19	K20.00781	1268 304 594	2	1./2.VİTES SENK.FRENLEME	SYNCHRONIZING CONE	
20	K20.00297	1324 304 052	[1304 304 591]	1./2.VİTES YILDIZ DIŞLI	GUIDE SLEEVE	
21	K20.00255	1324 304 053	[1304 304 597]	1./2.VİTES SENK.HALKA	ENGAGING SLEEVE	
22	K20.00977	1324 304 030	1	1.VİTES DIŞLISI 33 DIŞ	GEAR 1st 33 T	
23	K20.01307	0750 115 971	[0735 320 816]	2.1.VİTES MASURA BİLYA	NEEDLE CAGE	75x83x23mm
24	K20.00961	1324 304 005	1	KAMALI MİL	MAIN SHAFT	
25	K20.01506	1312 304 150	[1324 304 014]	KAMALI MİL YAĞ BORUSU	OIL PIPE	
26	K20.01308	0750 115 972	[0735 320 500]	1.C.VİTES MASURA BİLYA	NEEDLE CAGE	75x83x35mm
27	K20.00309	1304 304 543	1	C VİTES DIŞLISI 37 DIŞ	GEAR CRAWLING 37 T	
28	K20.00978	1324 304 037	1	GERİ VİTES YILDIZ DIŞLI	GUIDE SLEEVE	
29	K20.00311	1304 304 444	1	GERİ VİTES HALKASI	ENGAGING SLEEVE	
30	K20.01309	0750 115 973	[0750 115 225]	1. GERİ VİTES MASURA BİLYA	NEEDLE CAGE	60x68x39mm
31	K20.00462	1324 304 021	[1304 304 553]	1. GERİ VİTES DIŞLISI 32 DIŞ	REVERSE GEAR 32 T	
32	K20.01155	0750 117 844	1	KAMALI MİL ARKA BİLYA	ROLLER BEARING	
33		0630 501 116	1	KAMALI MİL ARKA SEKMAN	RETAINING RING	50x2.70mm

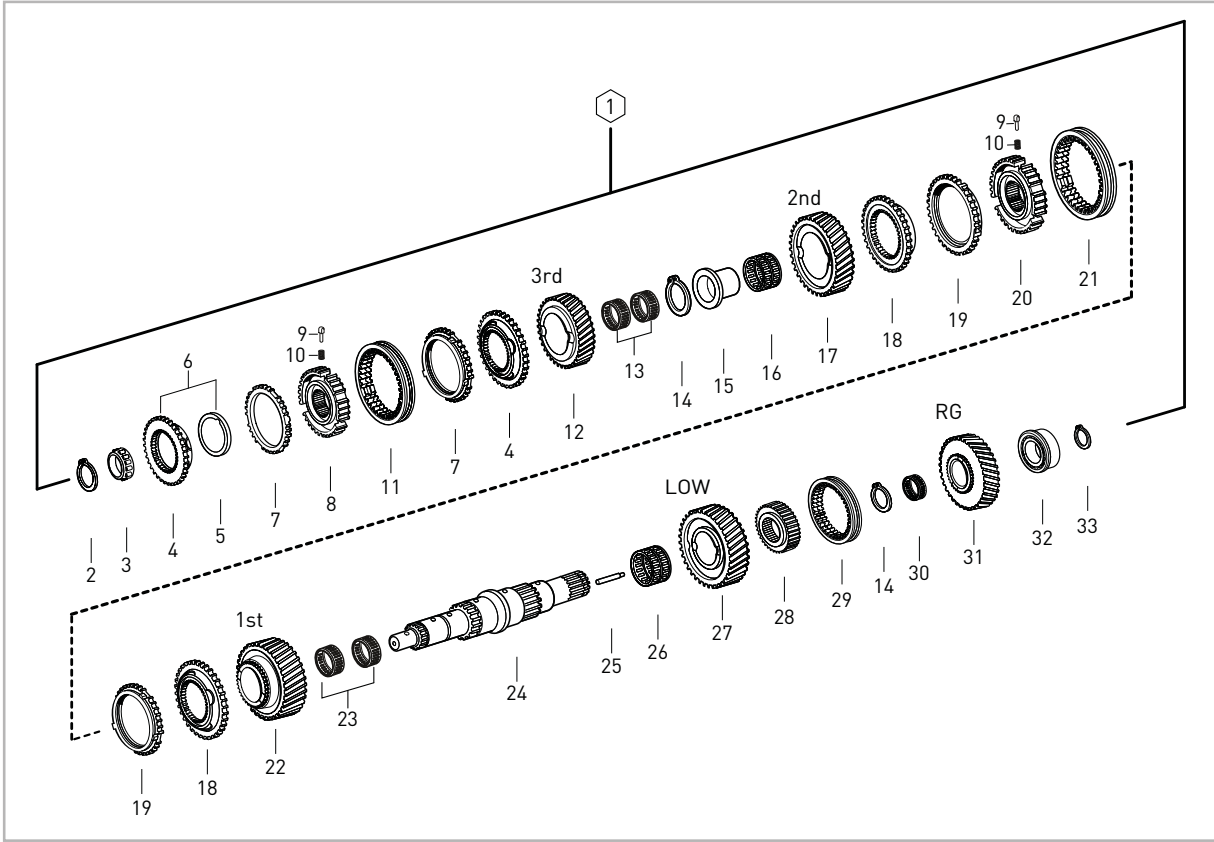


Fig	Kacmaz No.	Oem No	Oem Old No	Pcs.	Ürün Tanımı	Description	Sizes
1	K20.00998	2000998		kit	KAMALI MİL KOMPLE	MAIN SHAFT COMPLETE	
2		0630 501 157		1	KAMALI MİL UÇ BİLYA SEKMANI	RETAINING RING	42x2.00mm
3	K20.01109	0750 117 232		1	KAMALI MİL UÇ BİLYA	ROLLER BEARING	42x40.39mm
4	K20.00966	1324 304 011		2	PRİZ.VE 3.VİT.KİLİT SENKROMENÇ	ENGAGING RING	
5	K20.01041	0501 314 108		1	SENKROMENÇ KEÇESİ	OIL SEAL	
6	K20.00975	1324 204 009		1	PRİZ.VE 3.VİT.SENKROMENÇ KEÇELİ	ENGAGING RING	
7	K20.00916	1311 304 255		2	PRİZ. VE 3.VİTES SENK.FRENLEME	SYNCHRONIZING CONE	
8	K20.00962	1324 304 006		1	PRİZ.VE 3.VİT.YILDIZ DIŞLI	GUIDE SLEEVE	
9	K20.00111	1297 304 436		6	3.VİTES YILDIZ DIŞLI FİŞEĞİ	PRESSURE PIECE	
10	K20.00110	0732 040 409		6	3.VİTES YILDIZ DIŞLI FİŞEK YAYI	SPRING	
11	K20.01785	1311 304 103		1	PRİZ. VE 3.VİTES SENK.HALKA	ENGAGING SLEEVE	
12	K20.00976	1324 304 003		1	3.VİTES DIŞLISI 27 DIŞ	GEAR 3rd 27 T	
13	K20.01463	0750 115 969		2	3.VİTES MASURA BİLYA	NEEDLE CAGE	60x68x25mm
14		0630 501 041		2	3./C.VİT. MAS.BİL.ÇANAK SEKMANI	RETAINING RING	60x2.40mm
15	K20.00320	1324 304 070	(1304 304 050)	1	3.VİTES MASURA BİLYA ÇANAĞI	BEARING RACE	
16	K20.01462	0750 115 970	(0750 115 227)	1	2.VİTES MASURA BİLYA	NEEDLE CAGE	75x83x40mm
17	K20.01788	1324 304 015		1	2.VİTES DIŞLISI 30 DIŞ	GEAR 2nd 30 T	
18	K20.00965	1324 304 013		2	1./2.VİTES KİLİT SENKROMENÇ	ENGAGING RING	
19	K20.00781	1268 304 594		2	1./2.VİTES SENK.FRENLEME	SYNCHRONIZING CONE	
20	K20.00297	1324 304 052	(1304 304 591)	1	1./2.VİTES YILDIZ DIŞLI	GUIDE SLEEVE	
21	K20.00255	1324 304 053	(1304 304 597)	1	1./2.VİTES SENK.HALKA	ENGAGING SLEEVE	
22	K20.00977	1324 304 030		1	1.VİTES DIŞLISI 33 DIŞ	GEAR 1st 33 T	
23	K20.01307	0750 115 971	(0735 320 816)	2	1.VİTES MASURA BİLYA	NEEDLE CAGE	75x83x23mm
24	K20.00961	1324 304 005		1	KAMALI MİL	MAIN SHAFT	
25	K20.01506	1312 304 150	(1324 304 014)	1	KAMALI MİL YAĞ BORUSU	OIL PIPE	
26	K20.01308	0750 115 972	(0735 320 500)	1	C.VİTES MASURA BİLYA	NEEDLE CAGE	75x83x35mm
27	K20.00309	1304 304 543		1	C VİTES DIŞLISI 37 DIŞ	GEAR CRAWLING 37 T	
28	K20.00978	1324 304 037		1	GERİ VİTES YILDIZ DIŞLI	GUIDE SLEEVE	
29	K20.00311	1304 304 444		1	GERİ VİTES HALKASI	ENGAGING SLEEVE	
30	K20.01309	0750 115 973	(0750 115 225)	1	GERİ VİTES MASURA BİLYA	NEEDLE CAGE	60x68x39mm
31	K20.00462	1324 304 021	(1304 304 553)	1	GERİ VİTES DIŞLISI 32 DIŞ	REVERSE GEAR 32 T	
32	K20.01155	0750 117 844		1	KAMALI MİL ARKA BİLYA	ROLLER BEARING	
33		0630 501 116		1	KAMALI MİL ARKA SEKMAN	RETAINING RING	50x2.70mm



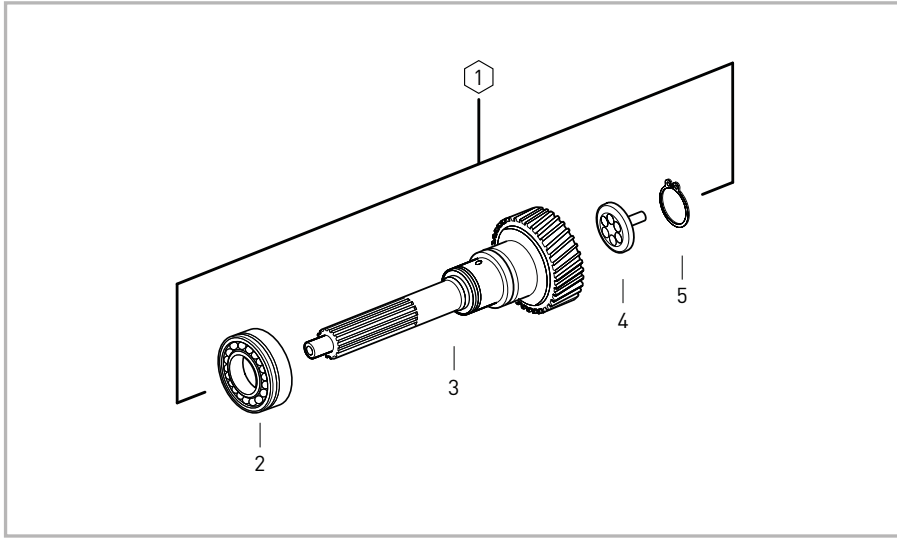


Fig.	Kacmaz No.	Oem No	Oem Old No	Pcs.	Ürün Tanımı	Description	Sizes
1	K20.00999	2000999		kit	PRİZDİREK KOMPLE	INPUT SHAFT COMPLETE	
2	K20.01151	0750 117 518	[0750 120 290]	1	PRİZDİREK ÖN BİLYA	ROLLER BEARING	71.40x120x32.50mm
3	K20.01809	1324 202 033	[1324 302 052]	1	PRİZDİREK 26 DİŞ	INPUT SHAFT 26 T	
4	K20.01501	1304 302 440		1	PRİZDİREK YAĞ PİPETİ	OIL PIPET	58x2.00mm
5	K20.01502	0630 502 063		1	PRİZDİREK YAĞ PİPET SEKMANI	RETAINING RING	

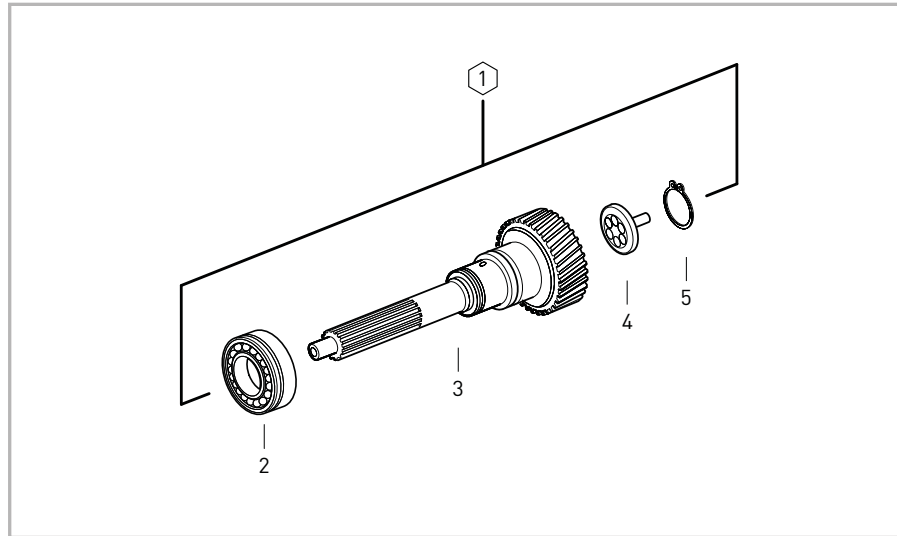


Fig.	Kacmaz No.	Oem No	Oem Old No	Pcs.	Ürün Tanımı	Description	Sizes
1	K20.01000	2001000		kit	PRİZDİREK KOMPLE	INPUT SHAFT COMPLETE	
2	K20.01151	0750 117 518	[0750 120 290]	1	PRİZDİREK ÖN BİLYA	ROLLER BEARING	71.40x120x32.50mm
3	K20.01805	1324 202 018	[1324 302 031]	1	PRİZDİREK 26 DİŞ	INPUT SHAFT 26 T	
4	K20.01501	1304 302 440		1	PRİZDİREK YAĞ PİPETİ	OIL PIPET	58x2.00mm
5	K20.01502	0630 502 063		1	PRİZDİREK YAĞ PİPET SEKMANI	RETAINING RING	

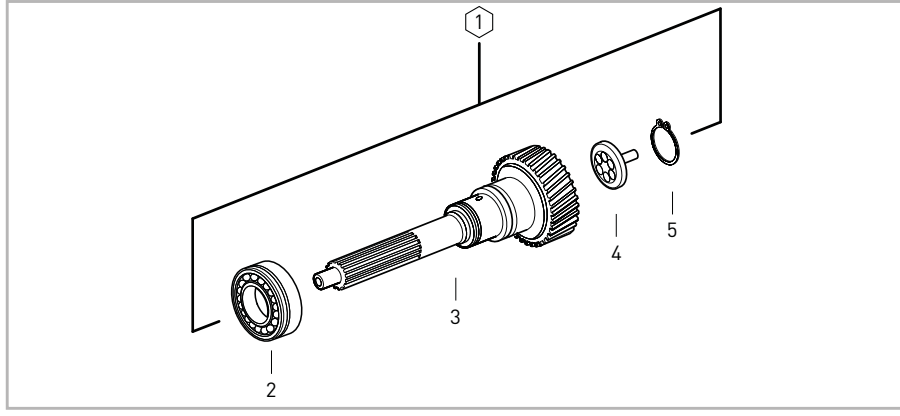


Fig.	Kacmaz No.	Oem No	Oem Old No	Pcs.	Ürün Tanımı	Description	Sizes
1	K20.01045	2001045		kit	PRİZİREK KOMPLE	INPUT SHAFT COMPLETE	
2	K20.01151	0750 117 518	[0750 120 290]	1	PRİZİREK ÖN BİLYA	ROLLER BEARING	71.40x120x32.50mm
3	K20.01805	1324 202 036	[1324 302 056]	1	PRİZİREK 32 DİŞ	INPUT SHAFT 32 T	
4	K20.01501	1304 302 440		1	PRİZİREK YAĞ PİPETİ	OIL PIPET	58x2.00mm
5	K20.01502	0630 502 063		1	PRİZİREK YAĞ PİPET SEKMANI	RETAINING RING	

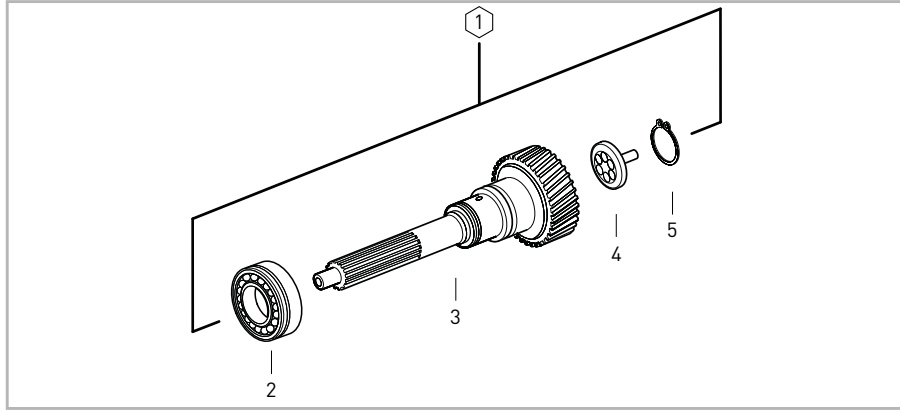


Fig.	Kacmaz No.	Oem No	Oem Old No	Pcs.	Ürün Tanımı	Description	Sizes
1	K20.01046	2001046		kit	PRİZİREK KOMPLE	INPUT SHAFT COMPLETE	
2	K20.01157	0750 117 799		1	PRİZİREK ÖN BİLYA	ROLLER BEARING	75x130x27.20mm
3	K20.01949	1324 202 012	[1324 302 015]	1	PRİZİREK 32 DİŞ	INPUT SHAFT 32 T	
4	K20.01501	1304 302 440		1	PRİZİREK YAĞ PİPETİ	OIL PIPET	
5	K20.01502	0630 502 063		1	PRİZİREK YAĞ PİPET SEKMANI	RETAINING RING	58x2.00mm

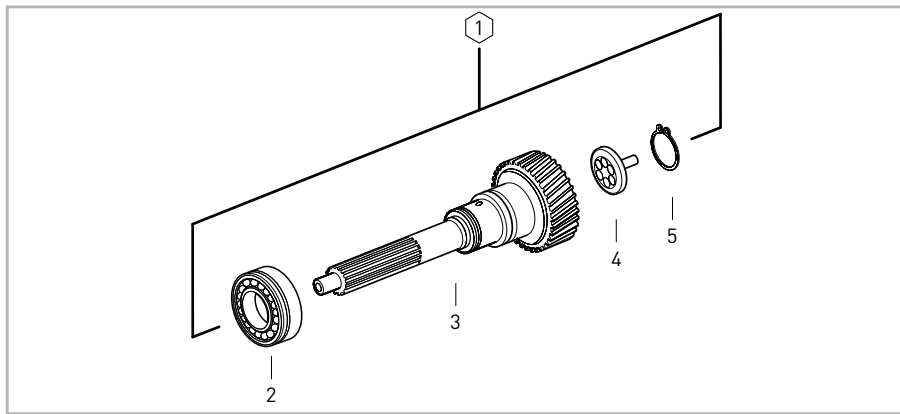


Fig.	Kacmaz No.	Oem No	Oem Old No	Pcs.	Ürün Tanımı	Description	Sizes
1	K20.01047	2001047		kit	PRİZİREK KOMPLE	INPUT SHAFT COMPLETE	
2	K20.01157	0750 117 799		1	PRİZİREK ÖN BİLYA	ROLLER BEARING	75x130x27.20mm
3	K20.01819	1324 202 004	[1324 302 004]	1	PRİZİREK 32 DİŞ	INPUT SHAFT 32 T	
4	K20.01501	1304 302 440		1	PRİZİREK YAĞ PİPETİ	OIL PIPET	
5	K20.01502	0630 502 063		1	PRİZİREK YAĞ PİPET SEKMANI	RETAINING RING	58x2.00mm

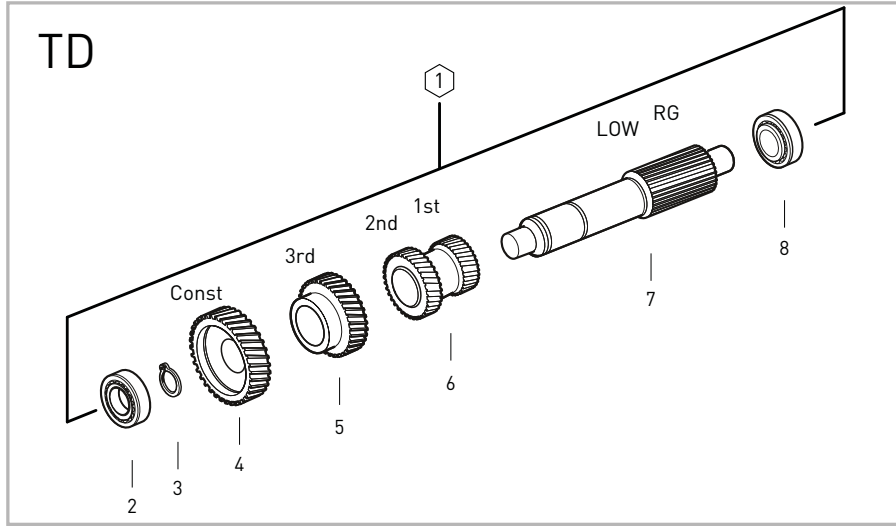


Fig. Kacmaz No.	Oem No	Oem Old No	Pcs.	Ürün Tanımı	Description	Sizes
1	K20.01048	2001048		kit	GRUP MILİ KOMPLE	COUNTER SHAFT COMPLETE
2	K20.01154	0735 371 096	(0750 117 881)	1	GRUP MILİ ÖN BİLYA	ROLLER BEARING 40x85x33mm
3		0630 501 040		1	GRUP MILİ ÖN BİLYA SEKMANI	RETAINING RING 58x2.00 mm
4	K20.01790	1324 303 007		1	PRİZDİREK KARŞILIĞI 36 DİŞ	CONSTANT GEAR 36 T
5	K20.00964	1324 303 018		1	3.VİTES DİŞLİ KARŞILIĞI 28 DİŞ	GEAR 3rd 28 T
6	K20.00963	1324 303 017	(1324 303 015)	1	1./2.VİTES DİŞLİ KARŞ. 18/23 DİŞ	DOUBLE GEAR 1st/2nd 18/23 T
7	K20.00960	1324 303 001		1	GRUP MILİ 14 DİŞ	COUNTER SHAFT 14 T
8	K20.01123	0750 117 083	(0750 120 291)	1	GRUP MILİ ARKA BİLYA	ROLLER BEARING 50.80x95.20x27.70mm

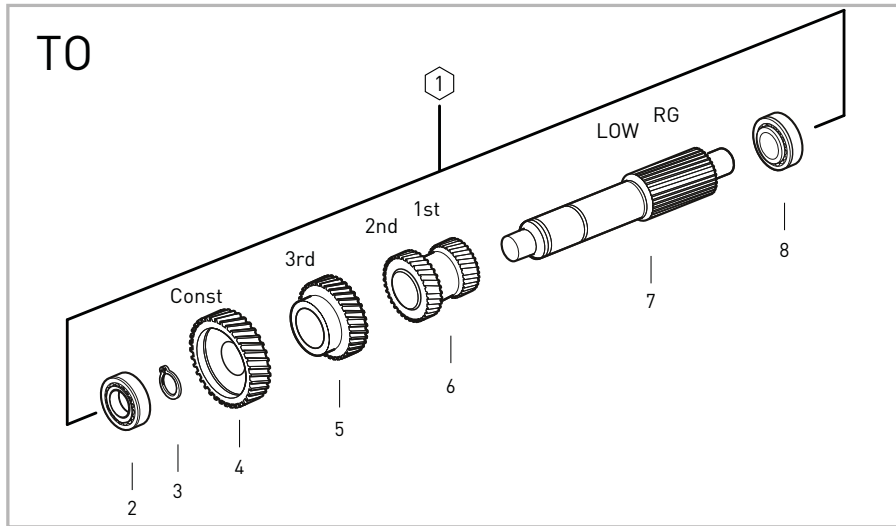


Fig. Kacmaz No.	Oem No	Oem Old No	Pcs.	Ürün Tanımı	Description	Sizes
1	K20.01049	2001049		kit	GRUP MILİ KOMPLE	COUNTER SHAFT COMPLETE
2	K20.01154	0735 371 096	(0750 117 881)	1	GRUP MILİ ÖN BİLYA	ROLLER BEARING 40x85x33mm
3		0630 501 040		1	GRUP MILİ ÖN BİLYA SEKMANI	RETAINING RING 58x2.00 mm
4	K20.01795	1324 303 004		1	PRİZDİREK KARŞILIĞI 33 DİŞ	CONSTANT GEAR 33 T
5	K20.00972	1324 303 003		1	3.VİTES DİŞLİ KARŞILIĞI 37 DİŞ	GEAR 3rd 37 T
6	K20.00963	1324 303 017	(1324 303 015)	1	1./2.VİTES DİŞLİ KARŞ. 18/23 DİŞ	DOUBLE GEAR 1st/2nd 18/23 T
7	K20.00960	1324 303 001		1	GRUP MILİ 14 DİŞ	COUNTER SHAFT 14 T
8	K20.01123	0750 117 083	(0750 120 291)	1	GRUP MILİ ARKA BİLYA	ROLLER BEARING 50.80x95.20x27.70mm