

Fig.	Kacmaz No.	Oem No	Oem Old No	Pcs.	Ürün Tanımı	Description	Sizes	Notes	X1: S61024-074	X2: S61025-079	X3: D61291-100	X4: D61292-100
1	K20.00571	1304 302 316	[1304 302 213]	1	PRİZDİREK KEÇE KAPAĞI	COVER	L=170 D=57	(B)	◆	◆	◆	◆
1		1304 302 318	[1304 302 215]	1	RİZDİREK KEÇE KAPAĞI	COVER	L=170 D=54	(R)	◆	◆	◆	◆
1	K20.00572	1304 302 319	[1304 302 216]	1	PRİZDİREK KEÇE KAPAĞI	COVER	L=190 D=57	(F) (I)	◆	◆	◆	◆
1	K20.00573	1304 302 444		1	PRİZDİREK KEÇE KAPAĞI	COVER	L=147 D=57	(M) (D)	◆	◆	◆	◆
1		1304 302 474		1	PRİZDİREK KEÇE KAPAĞI	COVER	L=215 D=57	(IS)	◆	◆	◆	◆
2	K20.01001	0750 111 149	[0734 310 161]	1	PRİZDİREK ÖN KEÇE	OIL SEAL	48X65X10mm		◆	◆	◆	◆
3	K20.00558	0501 004 549	[1304 203 008]	1	ŞANZIMAN YAĞ POMPASI	OIL PUMP			◆	◆	◆	◆
4	K20.00574	1304 301 331	[1304 301 413]	1	ŞANZIMAN ÖN GÖVDE	HOUSING			◆	◆	◆	◆
			[1304 301 198]									
5	K20.01595	0730 004 808		1	PRİZ.ÖN BİLYA RAYNELİ	SHIM	2.40mm		◆	◆	◆	◆
5	K20.01596	0730 004 805		1	PRİZ.ÖN BİLYA RAYNELİ	SHIM	2.25mm		◆	◆	◆	◆
5	K20.01597	0730 004 800		1	PRİZ.ÖN BİLYA RAYNELİ	SHIM	2.00mm		◆	◆	◆	◆
5	K20.01598	0730 005 646		1	PRİZ.ÖN BİLYA RAYNELİ	SHIM	1.95mm		◆	◆	◆	◆
5	K20.01599	2001599		1	PRİZ.ÖN BİLYA RAYNELİ	SHIM	0.30mm		◆	◆	◆	◆
5	K20.01600	2001600		1	PRİZ.ÖN BİLYA RAYNELİ	SHIM	0.20mm		◆	◆	◆	◆
5	K20.01601	2001601		1	PRİZ.ÖN BİLYA RAYNELİ	SHIM	0.10mm		◆	◆	◆	◆
6	K20.01101	0750 117 079	[0735 370 233]	1	PRİZDİREK ÖN BİLYA	ROLLER BEARING	66.6X117.4X30.1mm		◆	◆	◆	◆
7	K20.00275	1304 202 168	[1304 302 384]	1	PRİZDİREK (26 DİŞ)	INPUT SHAFT (26 T)	L=286 SAE10C 1 3/4	(B)			◆	◆
7	K20.00276	1304 202 175	[1304 302 386]	1	PRİZDİREK (26 DİŞ)	INPUT SHAFT (26 T)	L=320 SAE10C 1 3/4	(F)			◆	◆
7	K20.00277	1304 202 177	[1304 302 388]	1	PRİZDİREK (26 DİŞ)	INPUT SHAFT (26 T)	L=260 SAE10C 1 3/4	(M)			◆	◆
7	K20.00278	1304 202 178	[1304 202 105]	1	PRİZDİREK (26 DİŞ)	INPUT SHAFT (26 T)	L=310 SAE10C 1 3/4	(I)			◆	◆
7	K20.00575	1304 202 252	[1304 302 490]	1	PRİZDİREK (26 DİŞ)	INPUT SHAFT (26 T)	L=305 SAE10C 1 3/4	(F)			◆	
7	K20.00269	1304 202 170	[1304 202 102]	1	PRİZDİREK (27 DİŞ)	INPUT SHAFT (27 T)	L=260 SAE10C 1 3/4	(D)	◆			
7	K20.00270	1304 202 171	[1304 302 391]	1	PRİZDİREK (27 DİŞ)	INPUT SHAFT (27 T)	L=286 SAE10C 1 3/4	(R)(B)	◆	◆		
7	K20.00274	1304 202 245		1	PRİZDİREK (27 DİŞ)	INPUT SHAFT (27 T)	L=320 SAE10C 1 3/4	(IS)	◆			
8	K20.01501	1304 302 440		1	PRİZDİREK YAĞ PİPETİ	OIL PIPET			◆	◆	◆	◆
9	K20.01502	0630 502 063		1	PRİZDİREK SEKMANI	RETANING RING	472/58X2mm		◆	◆	◆	◆
10	K20.01010	0501 311 146		1	PRİZDİREK ARKA KEÇE	OIL SEAL			◆	◆	◆	◆
11	K20.01105	0735 371 748	[0750 117 507]	1	KAMALI MİL UÇ BİLYA	ROLLER BEARING	32X29.5mm		◆	◆	◆	◆
12		0630 501 146			PRİZ.VE 3.VİT.YILDIZ DIŞ. SEK.	RETAINING RING	50X2.20mm		◆	◆	◆	◆
12		0630 501 145			PRİZ.VE 3.VİT.YILDIZ DIŞ. SEK.	RETAINING RING	50X2.10mm		◆	◆	◆	◆
12		0630 501 149			PRİZ.VE 3.VİT.YILDIZ DIŞ. SEK.	RETAINING RING	50X1.90mm		◆	◆	◆	◆
13	K20.00295	1304 304 660	[1304 304 056]	2	PRİZ.VE 3.VİT.SENKROMENÇ	ENGAGING RING			◆	◆	◆	◆
14	K20.00260	1304 304 683	[1304 304 014]	2	PRİZ.VE 3.VİT.FRENLEME	SYNCHRONIZING CONE			◆	◆	◆	◆
15	K20.00296	1304 304 051		1	PRİZ.VE 3.VİT.YILDIZ DIŞLİ	GUIDE SLEEVE			◆	◆	◆	◆
16	K20.00110	0732 040 409		3	3.VİT.YILDIZ DIŞLİ YAYI	SPRING			◆	◆	◆	◆
17	K20.00467	1249 304 222		3	3.VİT.YILDIZ DIŞLİ PİMİ	PIN			◆	◆	◆	◆
18	K20.00468	1238 304 394		3	3.VİT.YILDIZ DIŞLİ FİŞEĞİ	PRESSURE PIECE			◆	◆	◆	◆
19	K20.00298	6002 305 515	[1304 304 013]	1	PRİZ.VE 3.VİT.SENK.HALKA	ENGAGING SLEEVE			◆	◆	◆	◆
20	K20.00169	1290 306 066		6	HİLAL PABUCU	SLIDING PAD			◆	◆	◆	◆
21		1304 306 096		1	3./4.VİTES HİLALİ	GEAR SHIT FORK 3rd/4th			◆	◆		

**NOTES :**

X1,X2,X3,X4 are used in conjunction with the encoded parts.  
Alphabetical Coding has been done according to Input Shaft

**NOTLAR :**

X1,X2,X3,X4 ile kodlanan parçalar birlikte kullanılır.  
Alfabetik kodlamalar prizdireklere göre yapılmıştır.

9 S 109

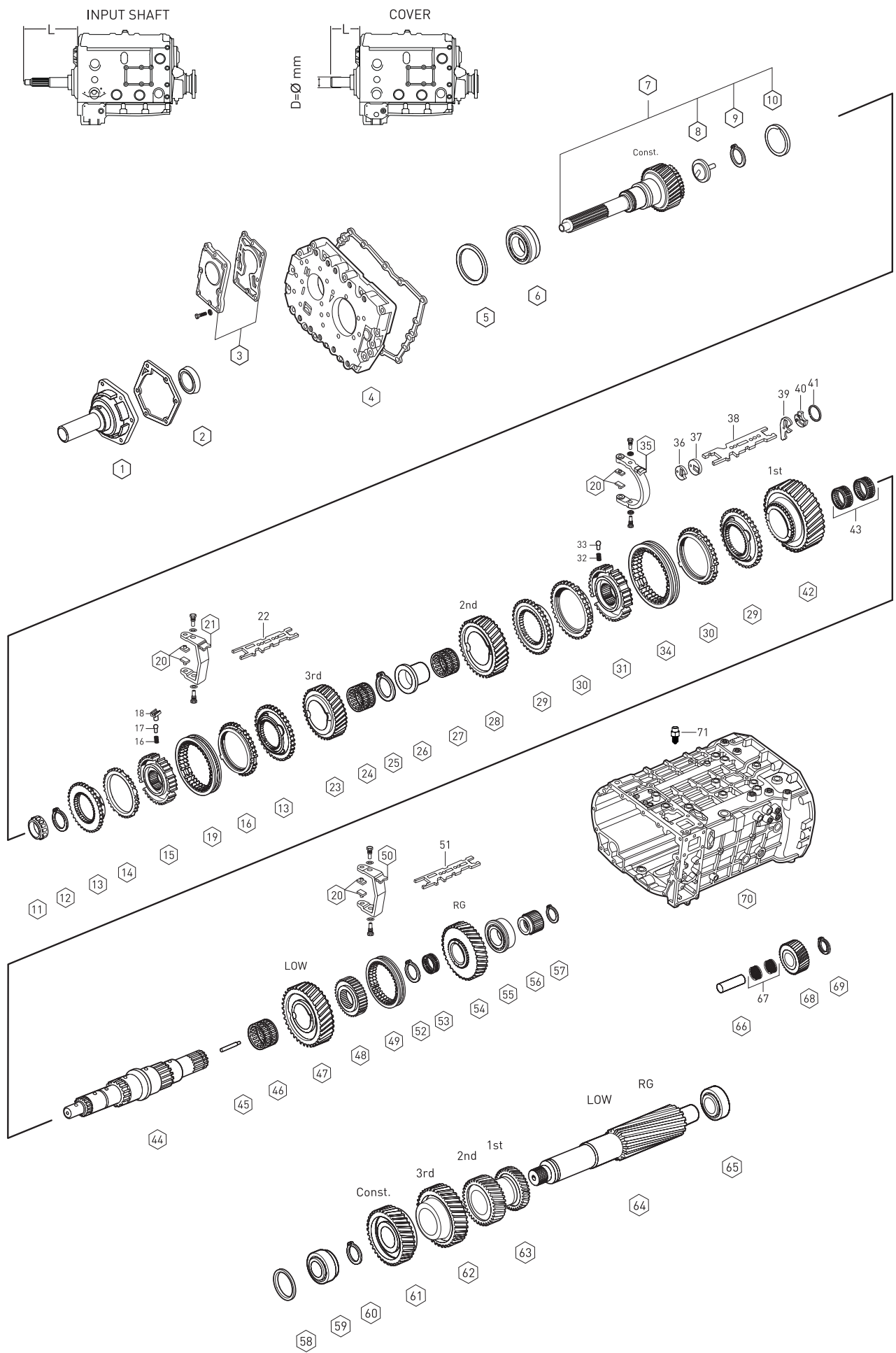


Fig.	Kacmaz No.	Oem No	Oem Old No	Pcs.	Ürün Tanımı	Description	Sizes	Notes	X1:SG1024-074	X2:SG1025-079	X3:DG1291-100	X4:DG1292-100
21		1304 306 010		1	3./4.VİTES HİLALİ	GEAR SHIFT FORK 3rd/4th					◆	◆
22		1304 306 078		1	3./4.VİTES HİLAL ÇİTASI	GEAR SHIFT RAIL 3rd/4th					◆	◆
22		1304 306 079		1	3./4.VİTES HİLAL ÇİTASI	GEAR SHIFT RAIL 3rd/4th			◆	◆		
23	K20.00287	1304 304 472		1	3.VİTES DİŞLİSİ 23 DİŞ	GEAR 3rd 23 T			◆			
23	K20.00288	1304 304 365		1	3.VİTES DİŞLİSİ 24 DİŞ	GEAR 3rd 24 T				◆		
23	K20.00289	1304 304 571		1	3.VİTES DİŞLİSİ 27 DİŞ	GEAR 3rd 27 T					◆	
23	K20.00290	1304 304 500	(1304 304 331)	1	3.VİTES DİŞLİSİ 25 DİŞ	GEAR 3rd 25 T						◆
24	K20.01304	0735 321 011	(0735 320 822)	2	3.VİT.MASURA BİLYA	NEEDLE CAGE 60X68X23mm			◆	◆	◆	◆
25		0630 501 067		1	2.VİT.MAS.BİL.ÇANAK SEKM.	RETAINING RING 60x2.40mm			◆	◆	◆	◆
25		0630 501 069		1	2.VİT.MAS.BİL.ÇANAK SEKM.	RETAINING RING 60x2.20mm			◆	◆	◆	◆
25		0630 501 070		1	2.VİT.MAS.BİL.ÇANAK SEKM.	RETAINING RING 60x2.10mm			◆	◆	◆	◆
25		0630 501 041		1	2.VİT.MAS.BİL.ÇANAK SEKM.	RETAINING RING 60x2.00mm			◆	◆	◆	◆
26	K20.00320	1304 304 050	(1324 304 070)	1	2.VİT.MAS.BİL.ÇANAĞI	BEARING RACE			◆	◆	◆	◆
27	K20.01305	0750 115 227	(0735 321 478)	1	2.VİT.MASURA BİLYA	NEEDLE CAGE 75X83X40mm			◆	◆	◆	◆
			(0750 115 970)									
28	K20.00291	1304 304 367		1	2.VİTES DİŞLİSİ 31 DİŞ	GEAR 2nd 31 T			◆	◆		
28	K20.00292	1304 304 570		1	2.VİTES DİŞLİSİ 30 DİŞ	GEAR 2nd 30 T					◆	
28	K20.00293	1304 304 499	(1304 304 334)	1	2.VİTES DİŞLİSİ 29 DİŞ	GEAR 2nd 29 T						◆
29	K20.00261	1304 304 408		2	1./ 2.VİT.SENKROMENÇ	ENGAGING RING			◆	◆	◆	◆
30	K20.00262	1304 304 681	(1304 304 542)	2	1./ 2.VİT.SENK.FRENLEME	SYNCHRONIZING CONE			◆	◆	◆	◆
31	K20.00297	1304 304 591	(1324 304 052)	1	1./ 2.VİT.YILDIZ DİŞLİ	GUIDE SLEEVE			◆	◆	◆	◆
32	K20.00110	0732 040 409		3	1./ 2.VİT.YILDIZ DİŞ.YAYI	SPRING			◆	◆	◆	◆
33	K20.00111	1297 304 436		3	1./ 2.VİT.YILDIZ DİŞ.FİŞEĞİ	PRESSURE PIECE			◆	◆	◆	◆
34	K20.00255	1304 304 597	(1324 304 053)	1	1./ 2.VİT.SENK.HALKA	ENGAGING SLEEVE			◆	◆	◆	◆
			(1304 304 541)									
35		1304 306 009		1	1./2.VİTES HİLALİ	GEAR SHIT FORK 1st/2nd			◆	◆	◆	◆
36		1304 306 022		1	VİTES HİLAL ÇİTA KİTLEMESİ	LEVER			◆	◆	◆	◆
37		1304 306 089		1	VİTES HİLAL ÇİTA KİTLEMESİ	LEVER			◆	◆	◆	◆
38		1304 306 051		1	1./2.VİTES HİLAL ÇİTASI	GEAR SHIFT RAIL 1st/2nd					◆	◆
38		1304 306 053		1	1./2.VİTES HİLAL ÇİTASI	GEAR SHIFT RAIL 1st/2nd			◆	◆		
39		1304 306 140		1	VİTES HİLAL ÇİTA KİTLEMESİ	LEVER			◆	◆	◆	◆
40		1304 306 090		1	VİTES HİLAL ÇİTA KİTLEMESİ	LEVER			◆	◆	◆	◆
41		0730 300 430	(0730 009 856)	1	VİTES HİLAL ÇİTA SEKMANI	RETAINING RING			◆	◆	◆	◆
42	K20.00303	1304 304 471		1	1.VİTES DİŞLİSİ 32 DİŞ	GEAR 1st 32 T			◆			
42	K20.00300	1304 304 369		1	1.VİTES DİŞLİSİ 33 DİŞ	GEAR 1st 33 T				◆		
42	K20.00305	1304 304 569	(1304 304 696)	1	1.VİTES DİŞLİSİ 33 DİŞ	GEAR 1st 33 T					◆	
42	K20.00306	1304 304 498	(1304 304 337)	1	1.VİTES DİŞLİSİ 33 DİŞ	GEAR 1st 33 T						◆
43	K20.01307	0735 320 816	(0750 115 971)	2	1.VİTES MASURA BİLYA	NEEDLE CAGE 75X83X23mm			◆	◆	◆	◆
44	K20.00307	1304 304 449		1	KAMALI MİL	MAIN SHAFT			◆	◆	◆	◆
45	K20.01506	1312 304 150		1	KAMALI MİL YAĞ BORUSU	OIL PIPE			◆	◆	◆	◆
46	K20.01308	0735 320 500	(0750 115 972)	1	C VİT.MASURA BİLYA	NEEDLE CAGE 75X83X35mm			◆	◆	◆	◆

**NOTES :**

X1,X2,X3,X4 are used in conjunction with the encoded parts.  
Alphabetical Coding has been done according to Input Shaft

**NOTLAR :**

X1,X2,X3,X4 ile kodlanan parçalar birlikte kullanılır.  
Alfabetik kodlamalar prizdireklere göre yapılmıştır.

9 S 109

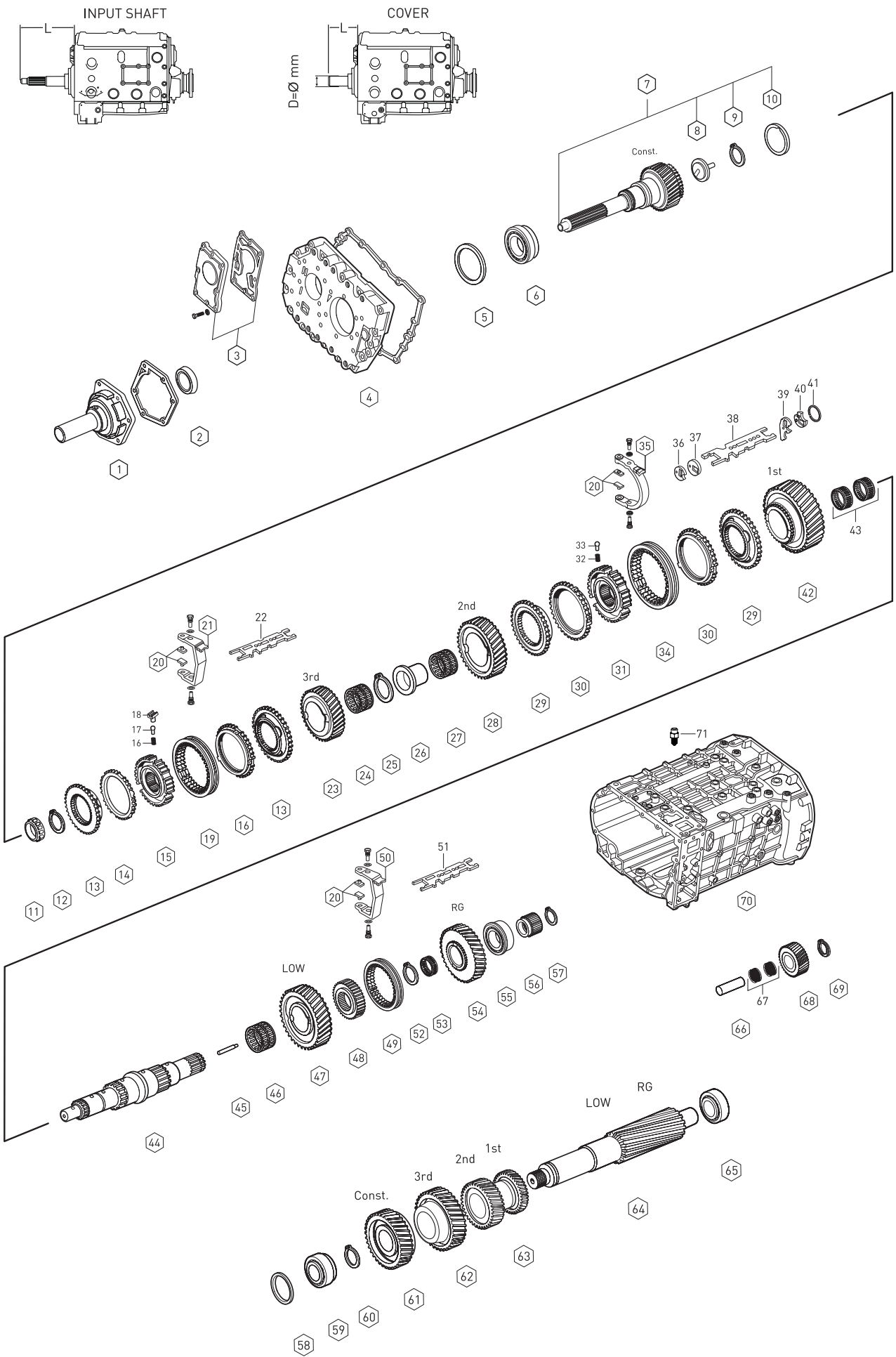


Fig.	Kacmaz No.	Oem No	Oem Old No	Pcs.	Ürün Tanımı	Description	Sizes	Notes	X1:SG 1024-074	X2:SG 1025-079	X3:DG1291-100	X4:DG1292-100
47	K20.00308	1304 304 428		1	C VİTES DİŞLİSİ 38 DİŞ	GEAR CRAWLING GEAR 38 T			◆	◆		
47	K20.00309	1304 304 543		1	C VİTES DİŞLİSİ 37 DİŞ	GEAR CRAWLING GEAR 37 T					◆	
47	K20.00310	1304 304 426		1	C VİTES DİŞLİSİ 37 DİŞ	GEAR CRAWLING GEAR 37 T						◆
48	K20.00080	1324 304 037	(1304 304 443)	1	GERİ VİT.YILDIZ DİŞLİ	HUB			◆	◆	◆	◆
49	K20.00311	1304 304 444		1	GERİ VİT.HALKASI	ENGAGING SLEEVE			◆	◆	◆	◆
50		1304 306 077		1	C VE GERİ VİTES HİLALİ	GEAR SHIFT FORK LOW/RG			◆	◆	◆	◆
51		1304 306 079		1	C VE GERİ VİTES HİLALİ	GEAR SHIFT FORK LOW/RG			◆	◆		
51		1304 306 078		1	C VE GERİ VİT. HİLAL ÇİTASI	GEAR SHIFT RAIL	2.80mm				◆	◆
52		0630 501 195		1	GERİ VİT.YILDIZ DİŞLİ SEKM.	RETAINING RING	2.70mm		◆	◆	◆	◆
52		0630 501 194		1	GERİ VİT.YILDIZ DİŞLİ SEKM.	RETAINING RING	2.60mm		◆	◆	◆	◆
52		0630 501 197		1	GERİ VİT.YILDIZ DİŞLİ SEKM.	RETAINING RING	2.50mm		◆	◆	◆	◆
52		0630 531 141		1	GERİ VİT.YILDIZ DİŞLİ SEKM.	RETAINING RING	60X68X39mm		◆	◆	◆	◆
53	K20.01309	0750 115 225	(0750 115 973)	1	GERİ VİT.MASURA BİLYA	NEEDLE CAGE			◆	◆	◆	◆
54	K20.00353	1304 304 437		1	GERİ VİTES DİŞLİSİ 35 DİŞ	REVERSE GEAR 35 T			◆	◆		
54	K20.00462	1304 304 553	(1324 304 021)	1	GERİ VİTES DİŞLİSİ 32 DİŞ	REVERSE GEAR 32 T					◆	
54	K20.00312	1304 304 435		1	GERİ VİTES DİŞLİSİ 32 DİŞ	REVERSE GEAR 32 T	50.8X104.7X30.1mm					◆
55	K20.01113	0735 371 605		1	KAMALI MİL ARKA BİLYA	ROLLER BEARING			◆	◆	◆	◆
56	K20.00294	1304 304 448		1	GÜNEŞ DİŞLİ 34 DİŞ	SUN GEAR 34 T	50x3.20mm		◆	◆	◆	◆
57		0630 501 151		1	KAMALI MİL ARKA SEKMAN	RETAINING RING	50x3.10mm		◆	◆	◆	◆
57		0630 501 150		1	KAMALI MİL ARKA SEKMAN	RETAINING RING	50x3.00mm		◆	◆	◆	◆
57		0630 531 065		1	KAMALI MİL ARKA SEKMAN	RETAINING RING	50x2.90mm		◆	◆	◆	◆
57		0630 501 112		1	KAMALI MİL ARKA SEKMAN	RETAINING RING	50x2.80mm		◆	◆	◆	◆
57		0630 501 114		1	KAMALI MİL ARKA SEKMAN	RETAINING RING	50x2.70mm		◆	◆	◆	◆
57		0630 501 117		1	KAMALI MİL ARKA SEKMAN	RETAINING RING	50x2.60mm		◆	◆	◆	◆
57		0630 501 118		1	KAMALI MİL ARKA SEKMAN	RETAINING RING	50x2.50mm		◆	◆	◆	◆
57		0630 531 064		1	KAMALI MİL ARKA SEKMAN	RETAINING RING	50x2.40mm		◆	◆	◆	◆
57		0630 501 148		1	KAMALI MİL ARKA SEKMAN	RETAINING RING	50x2.30mm		◆	◆	◆	◆
57		0630 501 147		1	KAMALI MİL ARKA SEKMAN	RETAINING RING	50x2.20mm		◆	◆	◆	◆
57		0630 501 146		1	KAMALI MİL ARKA SEKMAN	RETAINING RING	50x2.10mm		◆	◆	◆	◆
57		0630 501 145		1	KAMALI MİL ARKA SEKMAN	RETAINING RING	2.90mm		◆	◆	◆	◆
58	K20.01602	0730 004 796		1	GRUP MİLİ BİLYA RAYNELİ	SHIM	2.75mm		◆	◆	◆	◆
58	K20.01603	0730 004 793		1	GRUP MİLİ BİLYA RAYNELİ	SHIM	2.60mm		◆	◆	◆	◆
58	K20.01604	0730 004 790		1	GRUP MİLİ BİLYA RAYNELİ	SHIM	2.05mm		◆	◆	◆	◆
58	K20.01605	0730 003 414		1	GRUP MİLİ BİLYA RAYNELİ	SHIM	2.00mm		◆	◆	◆	◆
58	K20.01606	0730 001 799		1	GRUP MİLİ BİLYA RAYNELİ	SHIM	1.95mm		◆	◆	◆	◆
58	K20.01607	0730 004 786		1	GRUP MİLİ BİLYA RAYNELİ	SHIM	1.90mm		◆	◆	◆	◆
58	K20.01608	0730 004 785		1	GRUP MİLİ BİLYA RAYNELİ	SHIM	0.30mm		◆	◆	◆	◆
58	K20.01609	2001609		1	GRUP MİLİ BİLYA RAYNELİ	SHIM	0.20mm		◆	◆	◆	◆
58	K20.01610	2001610		1	GRUP MİLİ BİLYA RAYNELİ	SHIM	0.10mm		◆	◆	◆	◆
58	K20.01611	2001611		1	GRUP MİLİ BİLYA RAYNELİ	SHIM			◆	◆	◆	◆
59	K20.01122	0735 371 749		1	GRUP MİLİ ÖN BİLYA	ROLLER BEARING	40X80X32mm		◆	◆	◆	◆

**NOTES :**

X1,X2,X3,X4 are used in conjunction with the encoded parts.  
Alphabetical coding has been done according to Input Shaft.

**NOTLAR :**

X1,X2,X3,X4 ile kodlanan parçalar birlikte kullanılır.  
Alfabetik kodlamalar prizdireklere göre yapılmıştır.

9 S 109

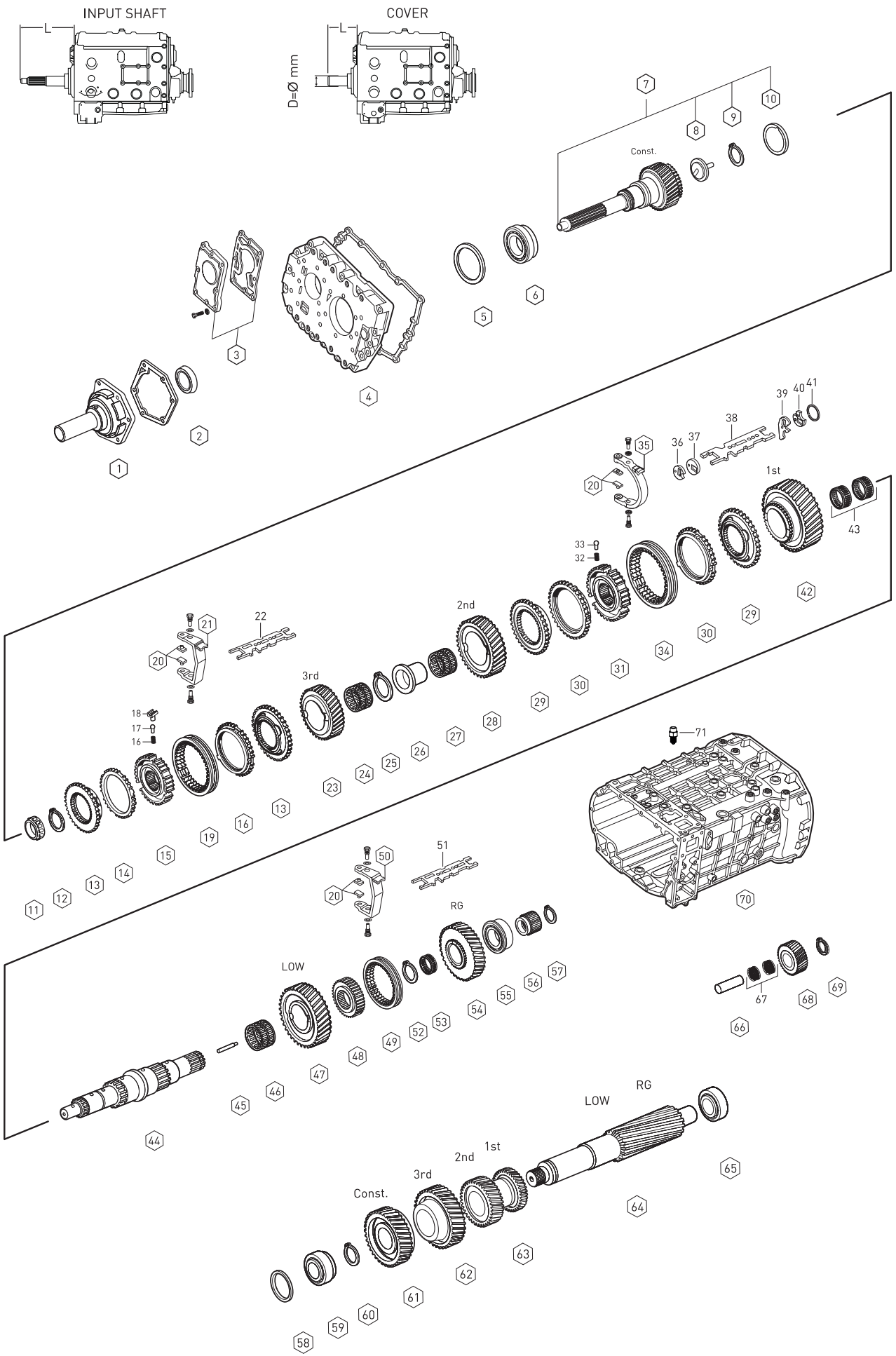


Fig. Kacmaz No.	Oem No	Oem Old No	Pcs.	Ürün Tanımı	Description	Sizes	X1: SG 1024-074	X2: SG 1025-079	X3: DG1291-100	X4: DG1292-100
60		0630 531 050		1 GRUP MİLİ ÖN BİLYA SEKM.	RETAINING RING	40X2,50mm	◆	◆	◆	◆
60		0630 531 314		1 GRUP MİLİ ÖN BİLYA SEKM.	RETAINING RING	40X2,40mm	◆	◆	◆	◆
60		0630 531 315		1 GRUP MİLİ ÖN BİLYA SEKM.	RETAINING RING	40X2,30mm	◆	◆	◆	◆
60		0630 531 316		1 GRUP MİLİ ÖN BİLYA SEKM.	RETAINING RING	40X2,20mm	◆	◆	◆	◆
60		0630 501 135		1 GRUP MİLİ ÖN BİLYA SEKM.	RETAINING RING	40X2,10mm	◆	◆	◆	◆
60		0630 531 049		1 GRUP MİLİ ÖN BİLYA SEKM.	RETAINING RING	40X2,00mm	◆	◆	◆	◆
60		0630 501 301		1 GRUP MİLİ ÖN BİLYA SEKM.	RETAINING RING	40X1,90mm	◆	◆	◆	◆
60		0630 501 300		1 GRUP MİLİ ÖN BİLYA SEKM.	RETAINING RING	40X1,80mm	◆	◆	◆	◆
61	K20.00281	1304 303 285		1 PRİZ.DİŞLİ KARŞILIĞI 33 DİŞ	CONSTANT GEAR 33 T		◆	◆		
61	K20.00282	1304 303 272		1 PRİZ.DİŞLİ KARŞILIĞI 36 DİŞ	CONSTANT GEAR 36 T				◆	◆
62	K20.00283	1304 303 210		1 3.VİTES DİŞLİ KARŞ.38 DİŞ	GEAR 3rd 38 T		◆			
62	K20.00284	1304 303 171		1 3.VİTES DİŞLİ KARŞ.37 DİŞ	GEAR 3rd 37 T			◆		
62	K20.00285	1304 303 287		1 3.VİTES DİŞLİ KARŞ.28 DİŞ	GEAR 3rd 28 T				◆	
62	K20.00286	1304 303 244	(1304 303 151)	1 3.VİTES DİŞLİ KARŞ.27 DİŞ	GEAR 3rd 27 T					◆
63	K20.00313	1304 303 209		1 1./2.VİT.DİŞLİ KARŞ. 21/28 DİŞ	DOUBLE GEAR 1st/2nd 21/28 T		◆			
63	K20.00314	1304 303 172		1 1./2.VİT.DİŞLİ KARŞILIĞI	DOUBLE GEAR 1st/2nd			◆		
63	K20.00315	1304 303 286		1 1./2.VİT.DİŞLİ KARŞ. 18/23 DİŞ	DOUBLE GEAR 1st/2nd 18/23 T				◆	
63	K20.00316	1304 303 243	(1304 303 153)	1 1./2.VİT.DİŞLİ KARŞ. 19/23 DİŞ	DOUBLE GEAR 1st/2nd 19/23 T					◆
64	K20.00317	1304 303 269		1 GRUP MİLİ 16 DİŞ	COUNTER SHAFT 16 T		◆	◆		
64	K20.00318	1304 303 268		1 GRUP MİLİ 14 DİŞ	COUNTER SHAFT 14 T				◆	
64	K20.00319	1304 303 267		1 GRUP MİLİ 14 DİŞ	COUNTER SHAFT 14 T					◆
65	K20.01123	0750 117 083	(1246 203 007)	1 GRUP MİLİ ARKA BİLYA	ROLLER BEARING	50.8X95.2X27.7mm	◆	◆	◆	◆
			(0750 120 067)							
			(0750 120 291)							
66	K20.00576	1304 305 030	(1304 305 002)	1 KÜÇÜK GERİ VİTES PİMİ	PIN		◆	◆	◆	◆
67	K20.01333	0735 358 192	(0750 115 229)	2 KÜÇÜK GERİ VİT.MAS.BİLYA	NEEDLE CAGE	40.0X60.0X26.0mm	◆	◆	◆	◆
68	K20.00577	1304 305 043	(1304 305 041)	1 KÜÇÜK GERİ VİTES DİŞLİSİ	REV.IDLER GEAR		◆	◆		
			(1304 305 036)							
			(1304 305 028)							
68	K20.00578	1304 305 045	(1304 305 040)	1 KÜÇÜK GERİ VİTES DİŞLİSİ	REV.IDLER GEAR				◆	
			(1304 305 033)							
68	K20.00579	1304 305 044	(1304 305 037)	1 KÜÇÜK GERİ VİTES DİŞLİSİ	REV.IDLER GEAR					◆
			(1304 305 031)							
			(1304 305 027)							
69		0630 502 022		1 KÜÇÜK GERİ VİTES PİM SEK.	RETAINING RING	40x1.75mm	◆	◆	◆	◆
70		1304 201 082	(1304 201 073)	1 ŞANZIMAN ORTA GÖVDE	HOUSING		◆	◆	◆	◆
70		1304 201 081	(1304 201 072)	1 ŞANZIMAN ORTA GÖVDE	HOUSING		◆	◆	◆	◆
71		1327 207 009	(1304 207 016)	1 İSTİNAT PİMİ	PIN	60 N	◆	◆	◆	◆
71	K20.00822	1324 207 034	(1313 207 004)	1 İSTİNAT PİMİ	PIN	105 N	◆	◆	◆	◆
71	K20.00814	1324 207 017	(1304 207 024)	1 İSTİNAT PİMİ	PIN	180 N	◆	◆	◆	◆

**NOTES :**

X1,X2,X3,X4 are used in conjunction with the encoded parts.  
Alphabetical coding has been done according to Input Shaft.

**NOTLAR :**

X1,X2,X3,X4 ile kodlanan parçalar birlikte kullanılır.  
Alfabetik kodlamalar prizdireklere göre yapılmıştır.



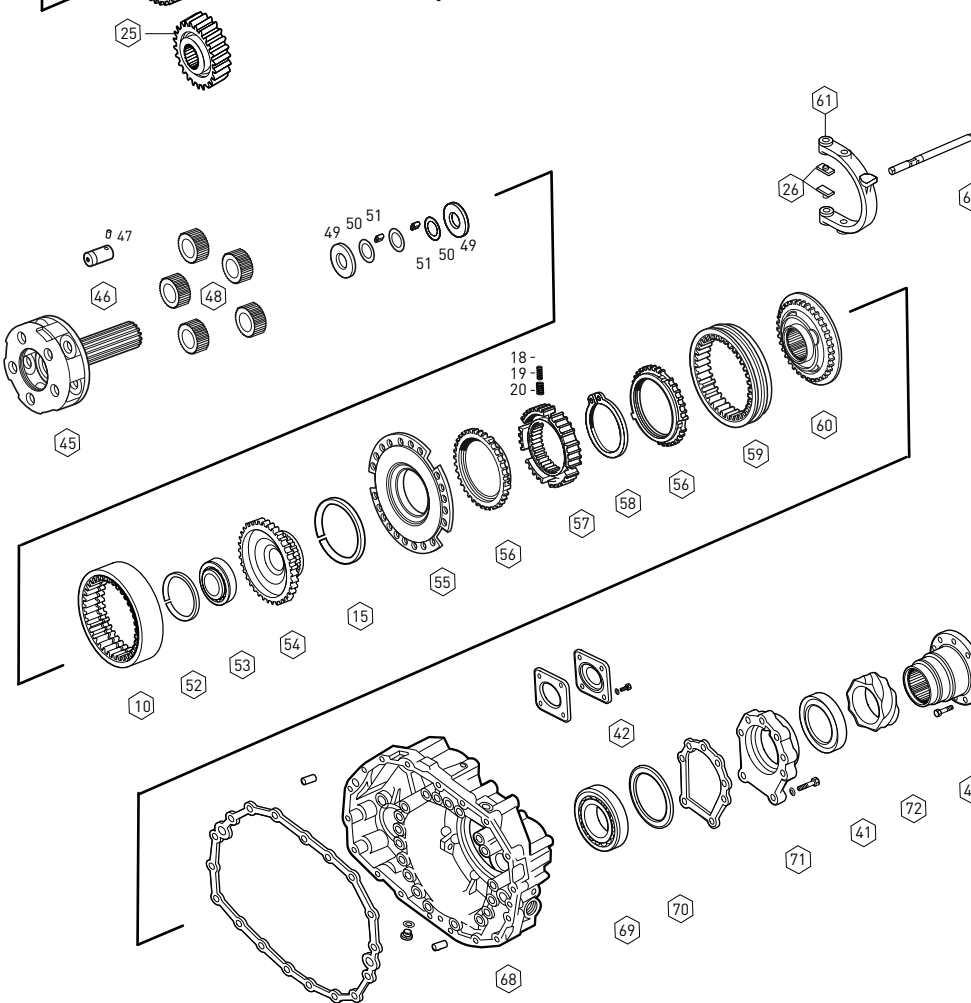
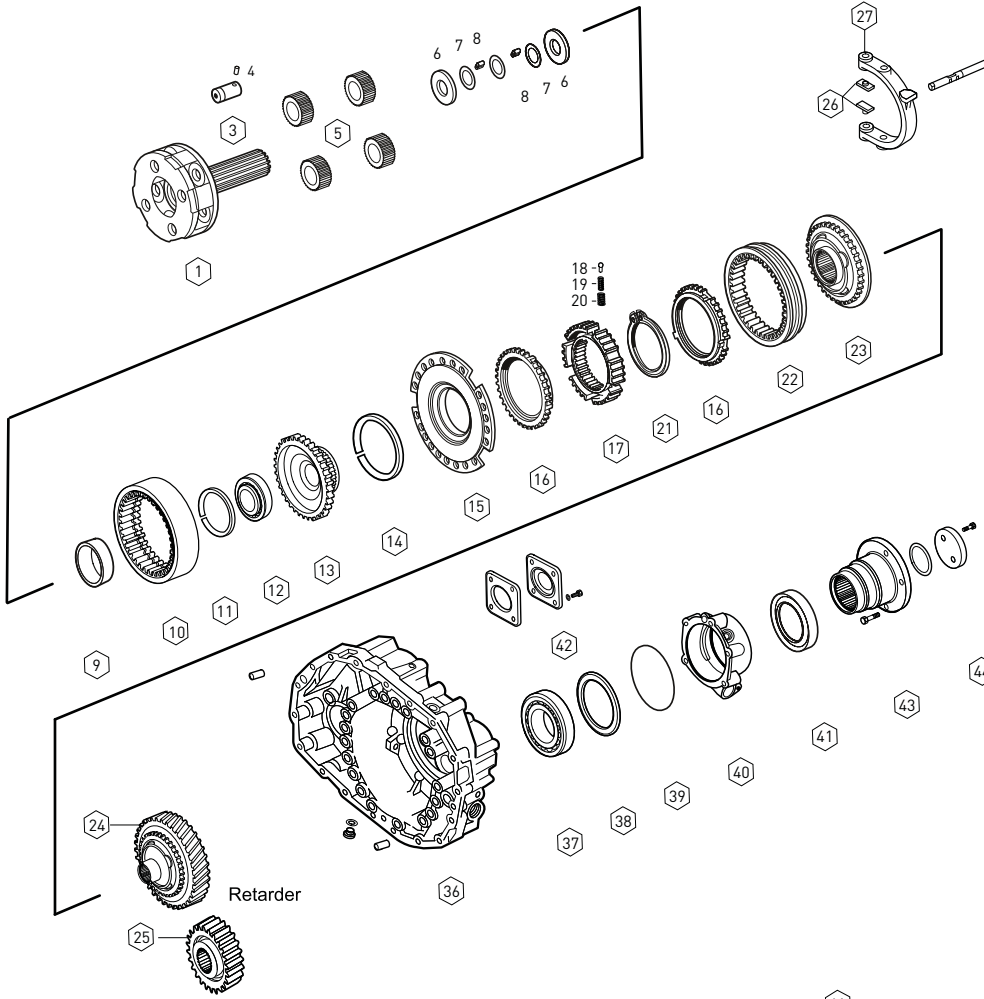
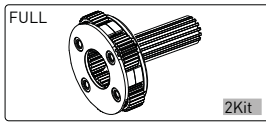


Fig.	Kacmaz No.	Oem No	Oem Old No	Pcs.	Ürün Tanımı	Description	Sizes	Notes	[X1] : 9 S 109	[X2] : 9 S 109	[X3] : 9 S 109
1	K20.00580	1304 232 095	[1304 232 048]	1	ŞANZIMAN HEYKELİ (BOŞ)	PLANETARY CARRIER	EMPTY		◆	◆	
2	K20.00580.	1304 232 095		1	ŞANZIMAN HEYKELİ (DOLU)	PLANETARY CARRIER	FULL		◆	◆	
3	K20.00321	1304 332 111	[1304 332 019]	4	HEYKEL KOZA DİŞLİ PİMİ	PLANET SHAFT			◆	◆	
4		0631 329 037		4	KOZA DİŞLİ KİLİTLEME PİMİ	PIN	4.0X26.0mm		◆	◆	
5	K20.00279	1304 232 037		kit	HEYK.KOZA DİŞLİ TAKIMI	PLANETARY GEAR SET	4 pcs		◆	◆	
6	K20.01508	0730 150 767	[0501 304 692]	8	HEYKEL KOZA DİŞLİ PULU	THRUST WASHER			◆	◆	
7	K20.01509	0730 103 102		12	HEYKEL KOZA DİŞLİ PULU	THRUST WASHER			◆	◆	
8	K20.01451	0735 470 115		160	HEYK.KOZA DİŞ.TANE BİL.	NEEDLE ROLLER	5X15.3mm		◆	◆	
9	K20.01612	1304 333 012		1	ŞANZIMAN HEYKEL BURCU	BUSHING			◆	◆	
10	K20.00582	1304 332 178		1	ÇEMBER DİŞLİ 86 DİŞ	RING WHEEL 86 T			◆	◆	◆
11		0730 513 755		1	PLANET ÇAN DİŞLİ BİLYA SEK.	RETAINING RING	2.50mm		◆		
11		0730 513 756		1	PLANET ÇAN DİŞLİ BİLYA SEK.	RETAINING RING	2.40mm		◆		
11		0730 513 757		1	PLANET ÇAN DİŞLİ BİLYA SEK.	RETAINING RING	2.30mm		◆		
11		0730 513 758		1	PLANET ÇAN DİŞLİ BİLYA SEK.	RETAINING RING	2.20mm		◆		
11		0730 513 759		1	PLANET ÇAN DİŞLİ BİLYA SEK.	RETAINING RING	2.10mm		◆		
11		0730 513 760		1	PLANET ÇAN DİŞLİ BİLYA SEK.	RETAINING RING	2.00mm		◆		
12	K20.01133	0750 116 165	[0635 338 049]	1	PLANET ÇAN DİŞLİ BİLYASI	ROLLER BEARING	80.0X110.0X16.0mm		◆		
13	K20.00583	1304 332 215		1	PLANET ÇAN DİŞLİ	CARRIER HUB			◆		
14	K20.01613	0730 505 140		1	ÇEMBER DİŞLİ SEGMANI	SPRING RING	2.00mm		◆	◆	◆
15	K20.00230	1304 233 006	[1304 233 011]	1	TEPSİ SENKROMENÇ	FLANGE			◆		
16	K20.00038	1296 333 045	[1296 333 022]	2	AĞIR SERİ SENK.FREN.	SYNCHRONIZING CONE			◆		
17	K20.00185	1313 333 001		1	AĞIR SERİ YILDIZ DİŞLİ	GUIDE SLEEVE			◆		
18	K20.00471	1240 304 278		9	AĞR.SERİ YILDIZ DİŞ.FİŞ.	PRESSURE PIECE			◆	◆	◆
19	K20.00469	0732 040 385		9	AĞR.SERİ YILDIZ DİŞ.YAYI	SPRING			◆	◆	◆
20	K20.00470	0732 040 386		9	AĞR.SERİ YILDIZ DİŞ.YAYI	SPRING			◆	◆	◆
21		0630 501 061		1	AĞIR SERİ YILDIZ DİŞLİ SEKM.	RETAINING RING	125x4.00mm		◆		
21		0630 501 173		1	AĞIR SERİ YILDIZ DİŞLİ SEKM.	RETAINING RING	125x3.90mm		◆		
21		0630 501 174		1	AĞIR SERİ YILDIZ DİŞLİ SEKM.	RETAINING RING	125x3.80mm		◆		
21		0630 501 175		1	AĞIR SERİ YILDIZ DİŞLİ SEKM.	RETAINING RING	125x3.70mm		◆		
22	K20.00267	1304 333 011		1	AĞIR SERİ SENK.HALKA	ENGAGING SLEEVE			◆		
23	K20.00231	1304 233 013	[1297 233 059]	1	SERİ SENKROMENÇ	ENGAGING RING			◆		
24	K20.00323	1304 232 085	[1304 232 083]	1	SERİ SENKROMENÇ	ENGAGING RING	Retarder		◆		
25	K20.00584	6085 301 003		1	RETARDER DİŞLİ KARŞILIĞI	GEAR	Retarder		◆		
26	K20.00328	1272 334 003		2	AĞIR SERİ HİHAL PABUCU	SLIDING PAD			◆	◆	◆
27		1304 334 063		1	AĞIR SERİ HİHALİ	GEAR SHIFT FORK			◆		
28		1304 334 075		1	AĞIR SERİ HİHAL MİLİ	GEAR SHIFT RAIL			◆		
29	K20.01017	0750 112 047		1	AĞIR SERİ HİHAL MİL KEÇESİ	FLANGE PACKING	22.0X36.0X14.5mm		◆	◆	◆
30	K20.01018	0734 307 287		2	AĞIR SERİ HAVA KEÇESİ	SEALING RING	50.0X100.0X7.5mm		◆		
31		1315 334 041		1	AĞIR SERİ HİHAL MİL PİSTONU	PISTON			◆		
32	K20.01614	0750 112 096		1	AĞIR SERİ HİHAL MİL FİBERİ	GUIDE RING			◆		
33	K20.01774	0737 006 095		1	AĞIR SERİ HİHAL MİL SOMUNU	NUT	M16X1.5mm		◆	◆	◆

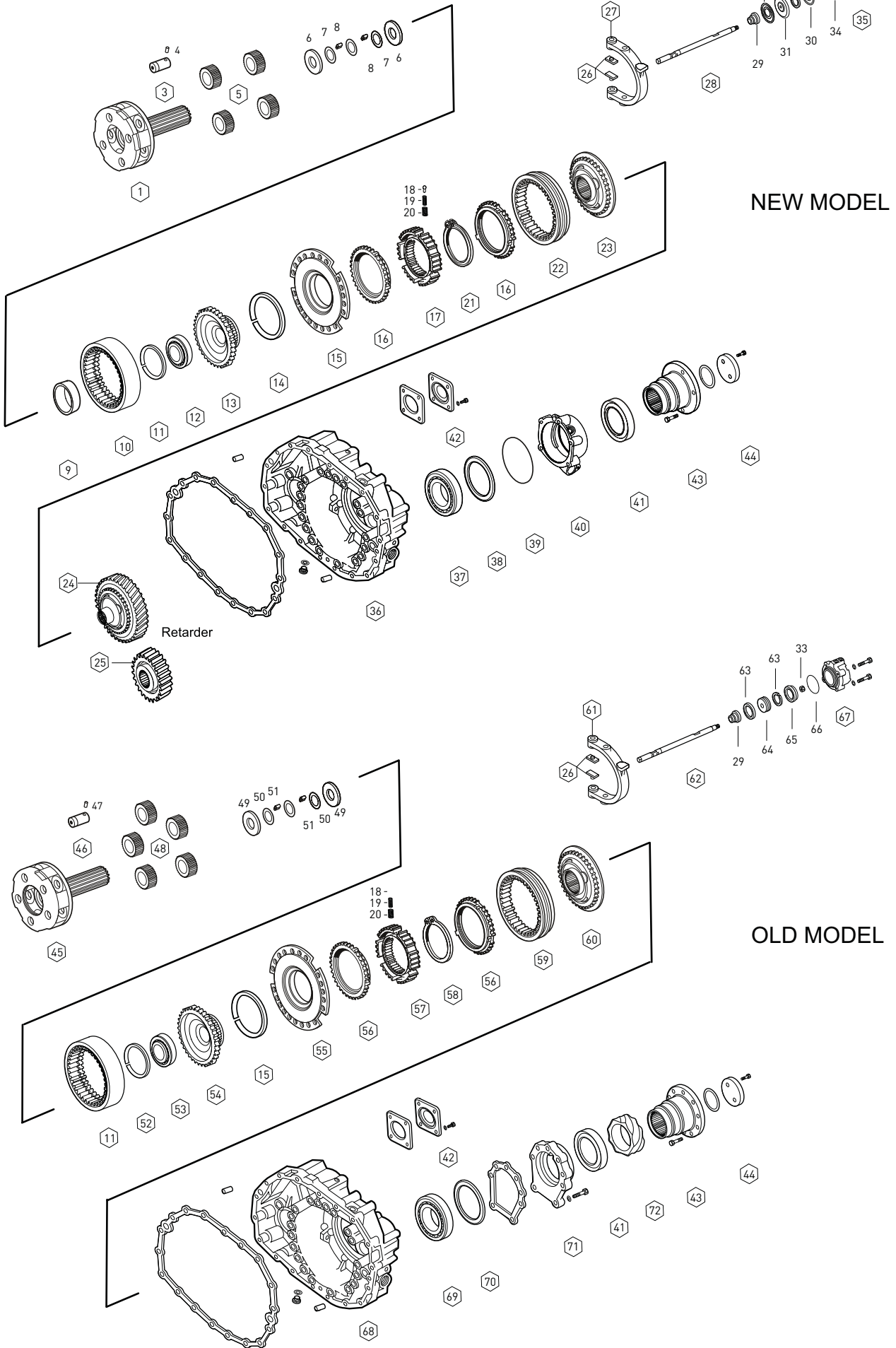
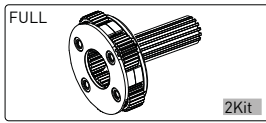
NOTES :

X1,X2,X3 are used in conjunction with the encoded parts.

NOTLAR :

X1,X2,X3 ile kodlanan parçalar birlikte kullanılır.

9 S 109



**NEW MODEL**

**OLD MODEL**

Fig.	Kacmaz No.	Oem No	Oem Old No	Pcs.	Ürün Tanımı	Description	Sizes	Notes	[X1] : 9 S 109	[X2] : 9 S 109	[X3] : 9 S 109
34		0634 313 338		1	AĞIR SERİ SİLİNDİR ORİNGİ	O-RING	108.0X3.0mm		◆		
35	K20.00888	1304 334 079	[1304 334 073]	1	AĞIR SERİ SİLİNDİR GÖVDESİ	CYLINDER			◆		
36		1304 301 382		1	ŞANZİMAN ARKA GÖVDE	HOUSING			◆		
37	K20.01156	0750 116 404	[0750 116 197]	1	ŞANZİMAN ARKA BİLYA	ROLLER BEARING	80.0X140.0X26.0mm		◆		
			[0635 332 066]								
38	K20.01615	2049 309 535		1	ŞANZ.ARKA BİLYA RAYNELİ	SHIM	1.90mm		◆		
38	K20.01616	0730 006 534		1	ŞANZ.ARKA BİLYA RAYNELİ	SHIM	1.50mm		◆		
38	K20.01617	2001617		1	ŞANZ.ARKA BİLYA RAYNELİ	SHIM	0.30mm		◆		
38	K20.01618	2001618		1	ŞANZ.ARKA BİLYA RAYNELİ	SHIM	0.20mm		◆		
38	K20.01619	2001619		1	ŞANZ.ARKA BİLYA RAYNELİ	SHIM	0.10mm		◆		
39		0634 303 110		1	ARKA BİLYA KAPAK ORİNGİ	O-RING	138X3mm		◆		
40		1304 301 351		1	ŞANZ.ARKA BİLYA KAPAĞI	BEARING COVER			◆		
41	K20.01012	0734 319 439		1	ŞANZ.ARKA KAPAK KEÇESİ	OIL SEAL	95X115X10mm		◆	◆	◆
41	K20.01022	0734 319 459		1	ŞANZ.ARKA KAPAK KEÇESİ	OIL SEAL	105.0X125.0X12mm		◆		
42		1304 301 034		1	PTO BAĞLANTI KAPAĞI	COVER			◆	◆	◆
43	K20.00585	1304 338 109		1	ŞANZİMAN FLANŞI	COMP.FLANGE	4-H, Ø180mm		◆	◆	◆
43	K20.00340	1304 338 097		1	ŞANZİMAN FLANŞI	COMP.FLANGE	4-H, Ø180mm		◆	◆	◆
44	K20.01620	1304 338 072		1	ŞANZİMAN FLANŞ PULU	WASHER			◆	◆	◆
45	K20.00581	1304 232 091	[1304 232 090]	1	ŞANZİMAN HEYKELİ	PLANETARY CARRIER					◆
46	K20.00321	1304 332 111	[1316 332 019]	5	HEYKEL KOZA DIŞLI PİMİ	PLANET SHAFT					◆
47		0631 329 037		5	KOZA DIŞLI PİMİ	PIN					◆
48	K20.00280	1304 232 025		5	HEYK.KOZA DIŞLI TAKIMI	PLANETARY GEAR SET					◆
49	K20.01508	0730 150 767	[0501 304 692]	10	HEYKEL KOZA DIŞLI PULU	THRUST WASHER					◆
50	K20.01509	0730 103 102		15	HEYKEL KOZA DIŞLI PULU	THRUST WASHER					◆
51	K20.01451	0735 470 115		200	HEYK.KOZA DIŞ.TANE BİL.	NEEDLE ROLLER	5X15.3mm				◆
52		0630 513 073		1	PLANET ÇAN DIŞLI BİLYA SEK.	RETAINING RING	90X2.50mm			◆	◆
52		0630 513 187		1	PLANET ÇAN DIŞLI BİLYA SEK.	RETAINING RING	90X2.40mm			◆	◆
52		0630 513 188		1	PLANET ÇAN DIŞLI BİLYA SEK.	RETAINING RING	90X2.30mm			◆	◆
52		0630 513 189		1	PLANET ÇAN DIŞLI BİLYA SEK.	RETAINING RING	90X2.20mm			◆	◆
52		0630 513 190		1	PLANET ÇAN DIŞLI BİLYA SEK.	RETAINING RING	90X2.10mm			◆	◆
52		0630 513 191		1	PLANET ÇAN DIŞLI BİLYA SEK.	RETAINING RING	90X2.00mm			◆	◆
52		0630 513 238		1	PLANET ÇAN DIŞLI BİLYA SEK.	RETAINING RING	90X1.90mm			◆	◆
53	K20.01334	0735 340 080	[0635 338 028]	1	PLANET ÇAN DIŞLI BİLYASI	ROLLER BEARING	70.0X90.0X10.0mm			◆	◆
54	K20.00586	1304 332 060		1	PLANET ÇAN DIŞLI	CARRIER HUB				◆	◆
55	K20.00229	1304 233 005	[1304 233 004]	1	TEPSİ SENKROMENÇ	FLANGE				◆	◆
56	K20.00268	1304 333 005	[1304 333 021]	2	AĞIR SERİ SENK.FRENLEME	SYNCHRONIZING CONE				◆	◆
57	K20.00265	1304 332 066		1	AĞIR SERİ YILDIZ DIŞLI	GUIDE SLEEVE				◆	◆
58		0630 501 141		1	AĞIR SERİ YILDIZ DIŞLI SEKM.	RETAINING RING	100X3.20mm			◆	◆
58		0630 501 152		1	AĞIR SERİ YILDIZ DIŞLI SEKM.	RETAINING RING	100X3.10mm			◆	◆
58		0630 501 056		1	AĞIR SERİ YILDIZ DIŞLI SEKM.	RETAINING RING	100X3.00mm			◆	◆
58		0630 501 385		1	AĞIR SERİ YILDIZ DIŞLI SEKM.	RETAINING RING	100X2.90mm			◆	◆
59	K20.00264	1304 332 089	[1304 332 065]	1	AĞIR SERİ SENK.HALKA	ENGAGING SLEEVE				◆	◆
60	K20.00266	1304 332 075		1	SERİ SENKROMENÇ	ENGAGING RING				◆	◆

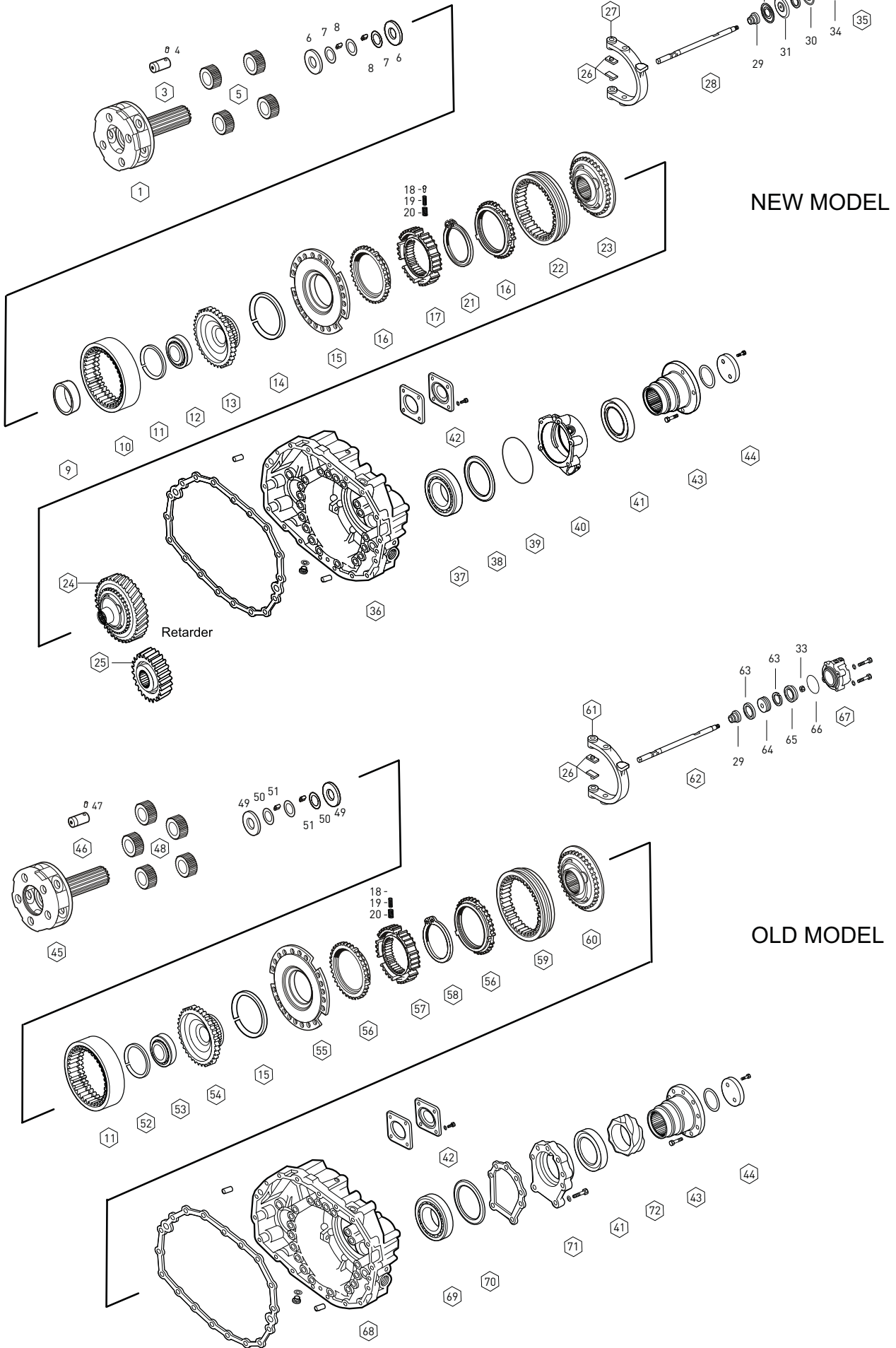
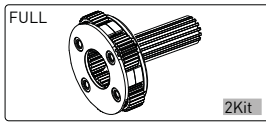
**NOTES :**

X1,X2,X3 are used in conjunction with the encoded parts.

**NOTLAR :**

X1,X2,X3 ile kodlanan parçalar birlikte kullanılır.

9 S 109



**NEW MODEL**

**OLD MODEL**



SYNCHRONIZER KIT 3rd/Const.

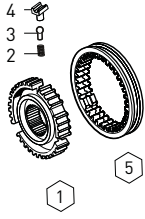


Fig.	Kacmaz No.	Oem No	Oem Old No	Pcs.	Ürün Tanımı	Description
	K20.00549	1304 204 052		Kit	PRİZ./3.VİT.HALKA YILDIZ KİTİ	SYNCH.KIT 3rd/Const.
1	K20.00296	1304 304 051		1	PRİZ.VE 3.VİT.YILDIZ DİŞLİ	GUIDE SLEEVE
2	K20.00110	0732 040 409		3	3.VİT.YILDIZ DİŞLİ YAYI	SPRING
3	K20.00467	1249 304 222		3	3.VİT.YILDIZ DİŞLİ PİMİ	PIN
4	K20.00468	1238 304 394		3	3.VİT.YILDIZ DİŞLİ FİŞEĞİ	PRESSURE PIECE
5	K20.00298	6002 305 515	(1304 304 013)	1	PRİZ.VE 3.VİT.SENK.HALKA	ENGAGING SLEEVE

SYNCHRONIZER KIT 3rd/Const.

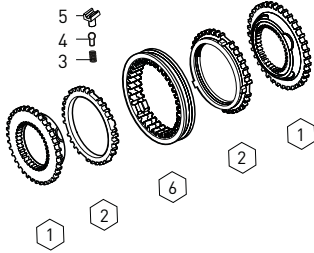


Fig.	Kacmaz No.	Oem No	Oem Old No	Pcs.	Ürün Tanımı	Description
	K20.00550	1304 298 982		Kit	PRİZ./3.VİT.SENKROMENÇ KİT	SYNCH.KIT 3rd/Const.
1	K20.00295	1304 304 660	(1304 304 056)	2	PRİZ.VE 3.VİT.SENKROMENÇ	ENGAGING RING
2	K20.00260	1304 304 683	(1304 304 014)	2	PRİZ.VE 3.VİT.FRENLEME	SYNCH.CONE
3	K20.00110	0732 040 409		3	3.VİT.YILDIZ DİŞLİ YAYI	SPRING
4	K20.00467	1249 304 222		3	3.VİT.YILDIZ DİŞLİ PİMİ	PIN
5	K20.00468	1238 304 394		3	3.VİT.YILDIZ DİŞLİ FİŞEĞİ	PRESSURE PIECE
6	K20.00298	6002 305 515	(1304 304 013)	1	PRİZ.VE 3.VİT.SENK.HALKA	ENGAGING SLEEVE

SYNCHRONIZER KIT 3rd/Const.

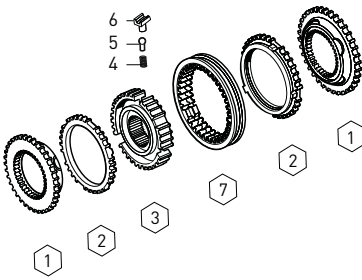


Fig.	Kacmaz No.	Oem No	Oem Old No	Pcs.	Ürün Tanımı	Description
	K20.00551	1304 298 971		Kit	PRİZ./3.VİT.SENKROMENÇ KİT	SYNCH.KIT 3rd/Const.
1	K20.00295	1304 304 660	(1304 304 056)	2	PRİZ.VE 3.VİT.SENKROMENÇ	ENGAGING RING
2	K20.00260	1304 304 683	(1304 304 014)	2	PRİZ.VE 3.VİT.FRENLEME	SYNCH.CONE
3	K20.00296	1304 304 051		1	PRİZ.VE 3.VİT.YILDIZ DİŞLİ	GUIDE SLEEVE
4	K20.00110	0732 040 409		3	3.VİT.YILDIZ DİŞLİ YAYI	SPRING
5	K20.00467	1249 304 222		3	3.VİT.YILDIZ DİŞLİ PİMİ	PIN
6	K20.00468	1238 304 394		3	3.VİT.YILDIZ DİŞLİ FİŞEĞİ	PRESSURE PIECE
7	K20.00298	6002 305 515	(1304 304 013)	1	PRİZ.VE 3.VİT.SENK.HALKA	ENGAGING SLEEVE

SYNCHRONIZER KIT 1st/2nd

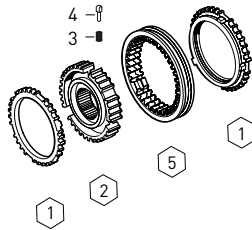


Fig.	Kacmaz No.	Oem No	Oem Old No	Pcs.	Ürün Tanımı	Description
	K20.00552	1304 204 051		Kit	1./2.VİT.SENKROMENÇ KİT	SYNCH.KIT 1st/2nd.
1	K20.00262	1304 304 681	(1304 304 542)	2	1./ 2.VİT.SENK.FRENLEME	SYNCH.CONE
2	K20.00297	1304 304 591	(1324 304 052)	1	1./ 2.VİT.YILDIZ DİŞLİ	GUIDE SLEEVE
3	K20.00110	0732 040 409		3	1./ 2.VİT.YILDIZ DİŞ.YAYI	SPRING
4	K20.00111	1297 304 436		3	1./ 2.VİT.YILDIZ DİŞ.FİŞEĞİ	PRESSURE PIECE
5	K20.00255	1304 304 597	(1324 304 053)	1	1./ 2.VİT.SENK.HALKA	ENGAGING SLEEVE

SYNCHRONIZER KIT 1st/2nd

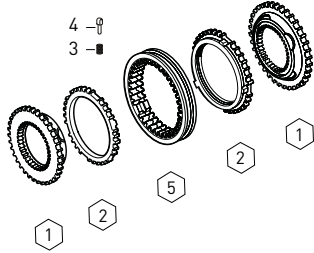
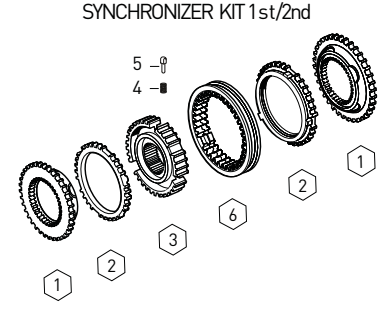


Fig.	Kacmaz No.	Oem No	Oem Old No	Pcs.	Ürün Tanımı	Description
	K20.00480	1304 298 980		Kit	1./ 2.VİT.SENKROMENÇ KİT	SYNCH.KIT 1st/2nd
1	K20.00261	1304 304 408		2	1./ 2.VİT.SENKROMENÇ	ENGAGING RING
2	K20.00262	1304 304 681	(1304 304 542)	2	1./ 2.VİT.SENK.FRENLEME	SYNCHRONIZING CONE
3	K20.00110	0732 040 409		3	1./ 2.VİT.YILDIZ DİŞ.YAYI	SPRING
4	K20.00111	1297 304 436		3	1./ 2.VİT.YILDIZ DİŞ.FİŞEĞİ	PRESSURE PIECE
5	K20.00255	1304 304 597	(1324 304 053)	1	1./ 2.VİT.SENK.HALKA	ENGAGING SLEEVE

Fig.	Kacmaz No.	Oem No	Oem Old No	Pcs.	Ürün Tanımı	Description
	K20.00553	1304 298 970		Kit	1./2.VİT.SENKROMENÇ KİT	SYNCH.KIT 1st/2nd
1	K20.00261	1304 304 408		2	1./ 2.VİT.SENKROMENÇ	ENGAGING RING
2	K20.00262	1304 304 681	[1304 304 542]	2	1./ 2.VİT.SENK.FRENLEME	SYNCHRONIZING CONE
3	K20.00297	1304 304 591	[1324 304 052]	1	1./ 2.VİT.YILDIZ DİŞLİ	GUIDE SLEEVE
4	K20.00110	0732 040 409		3	1./ 2.VİT.YILDIZ DİŞ.YAYI	SPRING
5	K20.00111	1297 304 436		3	1./ 2.VİT.YILDIZ DİŞ.FİŞEĞİ	PRESSURE PIECE
6	K20.00255	1304 304 597	[1324 304 053]	1	1./ 2.VİT.SENK.HALKA	ENGAGING SLEEVE



### GEARBOX GASKET KIT

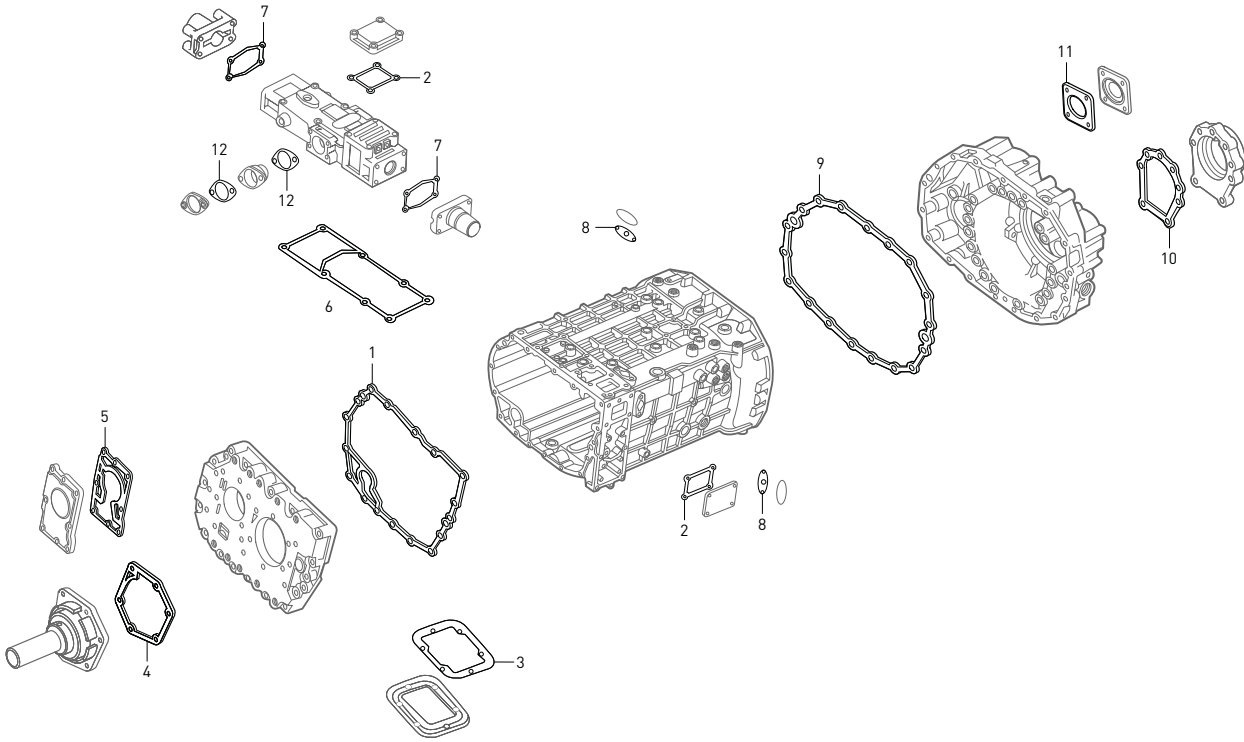


Fig.	Kacmaz No.	Oem No	Oem Old No	Pcs.	Ürün Tanımı	Description
	K20.01583	1304 298 914	[1304 298 902]	Kit	ŞANZİMAN CONTA TAKIMI	GASKET KIT
1		0501 313 379		1	ŞANZ.ÖN KAPAK CONTASI	GASKET
2		1304 307 437	[1304 307 176]	2	ŞANZ.KULE BAĞ.KAPAK CONTASI	GASKET
3		1290 301 140	[1290 301 073]	1	ŞANZ.DAMPER CONTASI	GASKET
4		0501 316 990	[0501 313 678]	1	PRİZ.KEÇE KAPAK CONTASI	GASKET
5		1304 303 297		1	YAĞ POMPA CONTASI	GASKET
6		1304 307 338		1	ŞANZ.KULE ALT CONTASI	GASKET
7		0501 318 308	[1304 307 177]	2	ŞANZ.KULE KAPAK CONTASI	GASKET
8		1268 307 170	[1268 307 091]	2	ŞANZ.MÜŞÜR KAPAK CONTASI	GASKET
9		1304 301 063	[1304 301 030]	1	ŞANZ.ARKA GÖVDE CONTASI	GASKET
10		1304 301 109	[1304 301 021]	1	ŞANZ.ARKA KEÇE KAPAK CONTASI	GASKET
11		1238 308 201	[1238 308 166]	1	PTO BAĞLANTI KAPAK CONTASI	GASKET
12		1304 307 277	[1304 307 196]	2	ŞANZ.İSTİNAT KAPAK CONTASI	GASKET



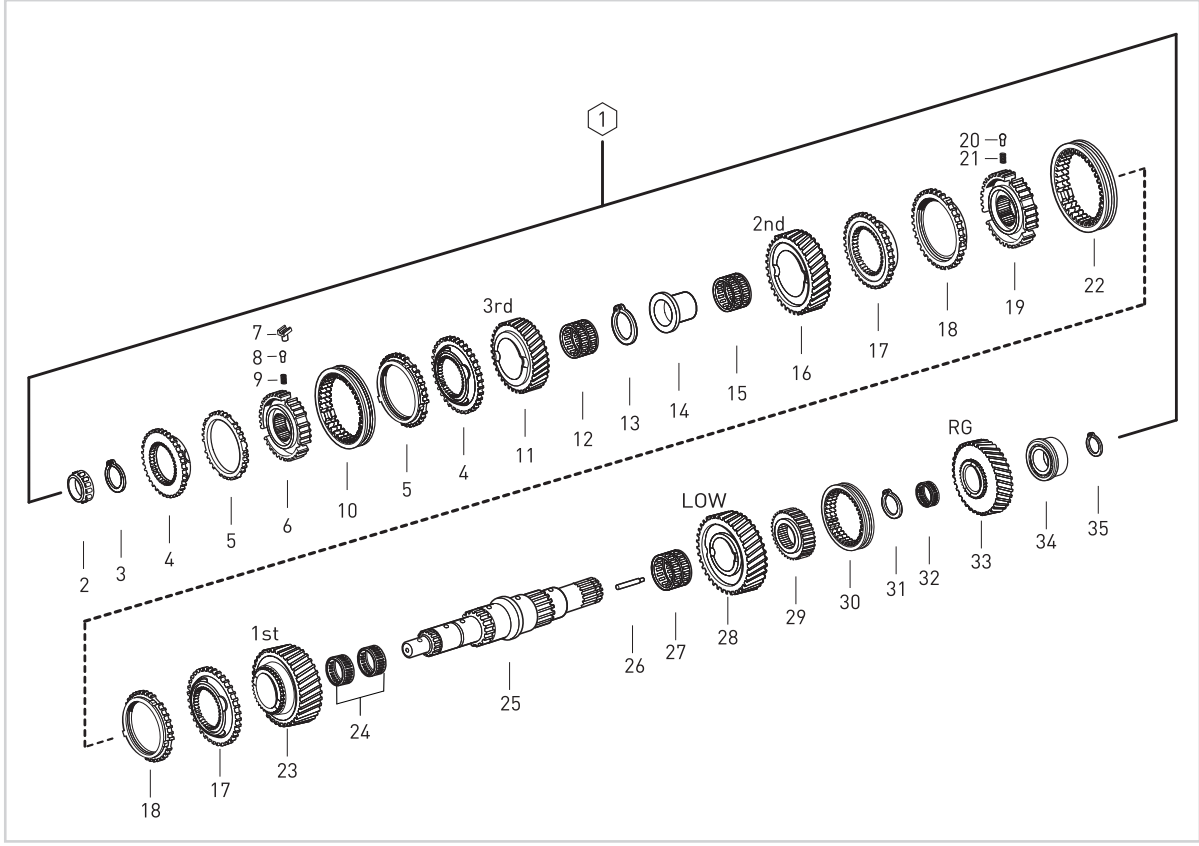


Fig	Kacmaz No.	Oem No	Oem Old No	Pcs.	Ürün Tanımı	Description	Sizes
1	K20.00987	2000987		kit	KAMALI MİL KOMPLE	MAIN SHAFT COMPLETE	
2	K20.01105	0735 371 748	(0750 117 507)	1	KAMALI MİL UÇ BİLYA	ROLLER BEARING	32x29.50mm
3		0630 501 146		1	PRİZ.VE 3.VİT.YILDIZ DIŞ. SEKMANI	RETAINING RING	2.20mm
4	K20.00295	1304 304 660	(1304 304 056)	2	PRİZ.VE 3.VİT.KİLİT SENKROMENÇ	ENGAGING RING	
5	K20.00260	1304 304 683	(1304 304 014)	2	PRİZ. VE 3.VİTES SENK.FRENLEME	SYNCHRONIZING CONE	
6	K20.00296	1304 304 051		1	PRİZ.VE 3.VİT.YILDIZ DIŞLİ	GUIDE SLEEVE	
7	K20.00468	1238 304 394		3	3.VİTES YILDIZ DIŞLİ FİŞEĞİ	PRESSURE PIECE	
8	K20.00467	1249 304 222		3	3.VİTES YILDIZ DIŞLİ PİMİ	PIN	
9	K20.00110	0732 040 409		3	3.VİTES YILDIZ DIŞLİ FİŞEK YAYI	SPRING	
10	K20.00298	6002 305 515	(1304 304 013)	1	PRİZ. VE 3.VİTES SENK.HALKA	ENGAGING SLEEVE	
11	K20.00289	1304 304 571		1	3.VİTES DIŞLİSİ 27 DIŞ	GEAR 3rd 27 T	
12	K20.01304	0735 321 011	(0735 320 822)	2	3.VİTES MASURA BİLYA	NEEDLE CAGE	60x68x23mm
13		0630 501 041		1	2.VİTES MAS.BİL. ÇANAK SEKMANI	RETAINING RING	60x2.40mm
14	K20.00320	1304 304 050		1	2.VİTES MASURA BİLYA ÇANAĞI	BEARING RACE	
15	K20.01305	0750 115 227	(0750 115 970)	1	2.VİTES MASURA BİLYA	NEEDLE CAGE	75x83x40mm
16	K20.00292	1304 304 570		1	2.VİTES DIŞLİSİ 30 DIŞ	GEAR 2nd 30 T	
17	K20.00261	1304 304 408	(1304 304 542)	2	1./2.VİTES KİLİT SENKROMENÇ	ENGAGING RING	
18	K20.00262	1304 304 681		2	1./2.VİTES SENK.FRENLEME	SYNCHRONIZING CONE	
19	K20.00297	1304 304 591	(1324 304 052)	1	1./2.VİTES YILDIZ DIŞLİ	GUIDE SLEEVE	
20	K20.00111	1297 304 436		3	1./2.VİTES YILDIZ DIŞLİ FİŞEĞİ	PRESSURE PIECE	
21	K20.00110	0732 040 409		3	1./2.VİTES YILDIZ DIŞLİ FİŞEK YAYI	SPRING	
22	K20.00255	1304 304 597	(1324 304 053)	1	1./2.VİTES SENK.HALKA	ENGAGING SLEEVE	
23	K20.00305	1304 304 569	(1304 304 337)	1	1.VİTES DIŞLİSİ 33 DIŞ	GEAR 1st 33 T	
24	K20.01307	0735 320 816		2	1.VİTES MASURA BİLYA	NEEDLE CAGE	75x83x23mm
25	K20.00307	1304 304 449		1	KAMALI MİL	MAIN SHAFT	
26	K20.01506	1312 304 150	(1324 304 014)	1	KAMALI MİL YAĞ BORUSU	OIL PIPE	
27	K20.01308	0735 320 500	(0750 115 972)	1	C.VİTES MASURA BİLYA	NEEDLE CAGE	75x83x35mm
28	K20.00309	1304 304 543		1	C VİTES DIŞLİSİ 37 DIŞ	GEAR CRAWLING 37 T	
29	K20.00080	1304 304 443	(1324 304 037)	1	GERİ VİTES YILDIZ DIŞLİ	GUIDE SLEEVE	
30	K20.00311	1304 304 444		1	GERİ VİTES HALKASI	ENGAGING SLEEVE	
31		0630 501 195		1	GERİ VİT.YILDIZ DIŞLİ SEKMANI	RETAINING RING	
32	K20.01309	0750 115 225	(0750 115 973)	1	GERİ VİTES MASURA BİLYA	NEEDLE CAGE	60x68x39mm
33	K20.00462	1304 304 553	(1324 304 021)	1	GERİ VİTES DIŞLİSİ 32 DIŞ	REVERSE GEAR 32 T	
34	K20.01113	0735 371 605		1	KAMALI MİL ARKA BİLYA	ROLLER BEARING	
35		0630 531 065		1	KAMALI MİL ARKA SEKMAN	RETAINING RING	50x3.00mm

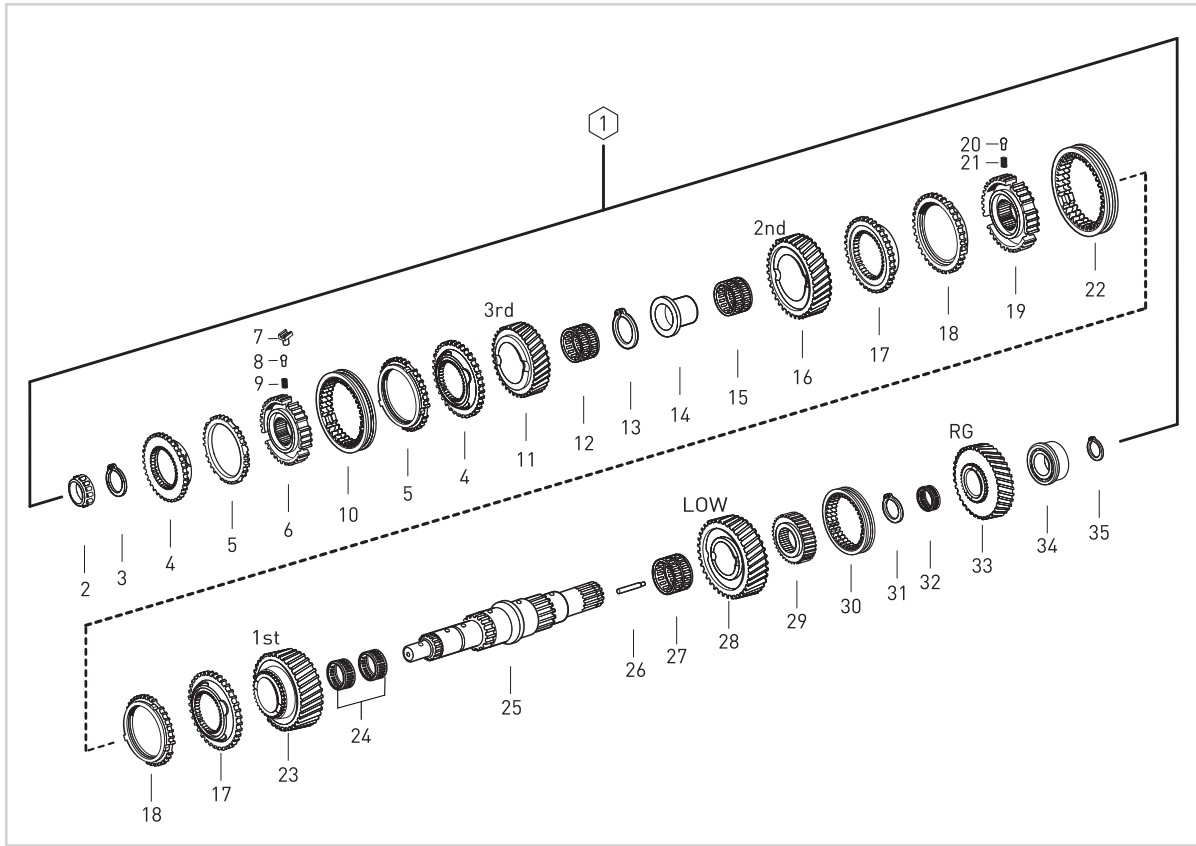


Fig Kacmaz No.	Oem No	Oem Old No	Pcs.	Ürün Tanımı	Description	Sizes
1	K20.00988	2000988		kit KAMALI MİL KOMPLE	MAIN SHAFT COMPLETE	
2	K20.01105	0735 371 748	(0750 117 507)	1 KAMALI MİL UÇ BİLYA	ROLLER BEARING	32x29,50mm
3		0630 501 146		1 PRİZ.VE 3.VİT.YILDIZ DIŞ.SEKMANI	RETAINING RING	2,20mm
4	K20.00295	1304 304 660	(1304 304 056)	2 PRİZ.VE 3.VİT.KİLİT SENKROMENÇ	ENGAGING RING	
5	K20.00260	1304 304 683	(1304 304 014)	2 PRİZ. VE 3.VİTES SENK.FRENLEME	SYNCHRONIZING CONE	
6	K20.00296	1304 304 051		1 PRİZ.VE 3.VİT.YILDIZ DIŞLI	GUIDE SLEEVE	
7	K20.00468	1238 304 394		3 3.VİTES YILDIZ DIŞLI FİŞEĞİ	PRESSURE PIECE	
8	K20.00467	1249 304 222		3 3.VİTES YILDIZ DIŞLI PİMİ	PIN	
9	K20.00110	0732 040 409		3 3.VİTES YILDIZ DIŞLI FİŞEK YAYI	SPRING	
10	K20.00298	6002 305 515	(1304 304 013)	1 PRİZ. VE 3.VİTES SENK.HALKA	ENGAGING SLEEVE	
11	K20.00290	1304 304 500	(1304 304 331)	1 3.VİTES DIŞLİSİ 25 DİŞ	GEAR 3rd 25 T	
12	K20.01304	0735 321 011	(0735 320 822)	2 3.VİTES MASURA BİLYA	NEEDLE CAGE	60x68x23mm
13		0630 501 041		1 2.VİTES MAS.BİL. ÇANAK SEKMANI	RETAINING RING	60x2,40mm
14	K20.00320	1304 304 050		1 2.VİTES MASURA BİLYA ÇANAĞI	BEARING RACE	
15	K20.01305	0750 115 227	(0750 115 970)	1 2.VİTES MASURA BİLYA	NEEDLE CAGE	75x83x40mm
16	K20.00293	1304 304 499		1 2.VİTES DIŞLİSİ 29 DİŞ	GEAR 2nd 29 T	
17	K20.00261	1304 304 408	(1304 304 542)	2 1./2.VİTES KİLİT SENKROMENÇ	ENGAGING RING	
18	K20.00262	1304 304 681		2 1./2.VİTES SENK.FRENLEME	SYNCHRONIZING CONE	
19	K20.00297	1304 304 591	(1324 304 052)	1 1./2.VİTES YILDIZ DIŞLI	GUIDE SLEEVE	
20	K20.00111	1297 304 436		3 1./2.VİTES YILDIZ DIŞLI FİŞEĞİ	PRESSURE PIECE	
21	K20.00110	0732 040 409		3 1./2.VİTES YILDIZ DIŞLI FİŞEK YAYI	SPRING	
22	K20.00255	1304 304 597	(1324 304 053)	1 1./2.VİTES SENK.HALKA	ENGAGING SLEEVE	
23	K20.00306	1304 304 498		1 1.VİTES DIŞLİSİ 33 DİŞ	GEAR 1st 33 T	
24	K20.01307	0735 320 816		2 1.VİTES MASURA BİLYA	NEEDLE CAGE	75x83x23mm
25	K20.00307	1304 304 449		1 KAMALI MİL	MAIN SHAFT	
26	K20.01506	1312 304 150	(1324 304 014)	1 KAMALI MİL YAĞ BORUSU	OIL PIPE	
27	K20.01308	0735 320 500	(0750 115 972)	1 C.VİTES MASURA BİLYA	NEEDLE CAGE	75x83x35mm
28	K20.00310	1304 304 426		1 C VİTES DIŞLİSİ 37 DİŞ	GEAR CRAWLING 37 T	
29	K20.00080	1304 304 443	(1324 304 037)	1 GERİ VİTES YILDIZ DIŞLI	GUIDE SLEEVE	
30	K20.00311	1304 304 444		1 GERİ VİTES HALKASI	ENGAGING SLEEVE	
31		0630 501 195		1 GERİ VİT.YILDIZ DIŞLI SEKMANI	RETAINING RING	
32	K20.01309	0750 115 225	(0750 115 973)	1 GERİ VİTES MASURA BİLYA	NEEDLE CAGE	60x68x39mm
33	K20.00312	1304 304 435		1 GERİ VİTES DIŞLİSİ 32 DİŞ	REVERSE GEAR 32 T	
34	K20.01113	0735 371 605		1 KAMALI MİL ARKA BİLYA	ROLLER BEARING	
35		0630 531 065		1 KAMALI MİL ARKA SEKMAN	RETAINING RING	50x3,00mm

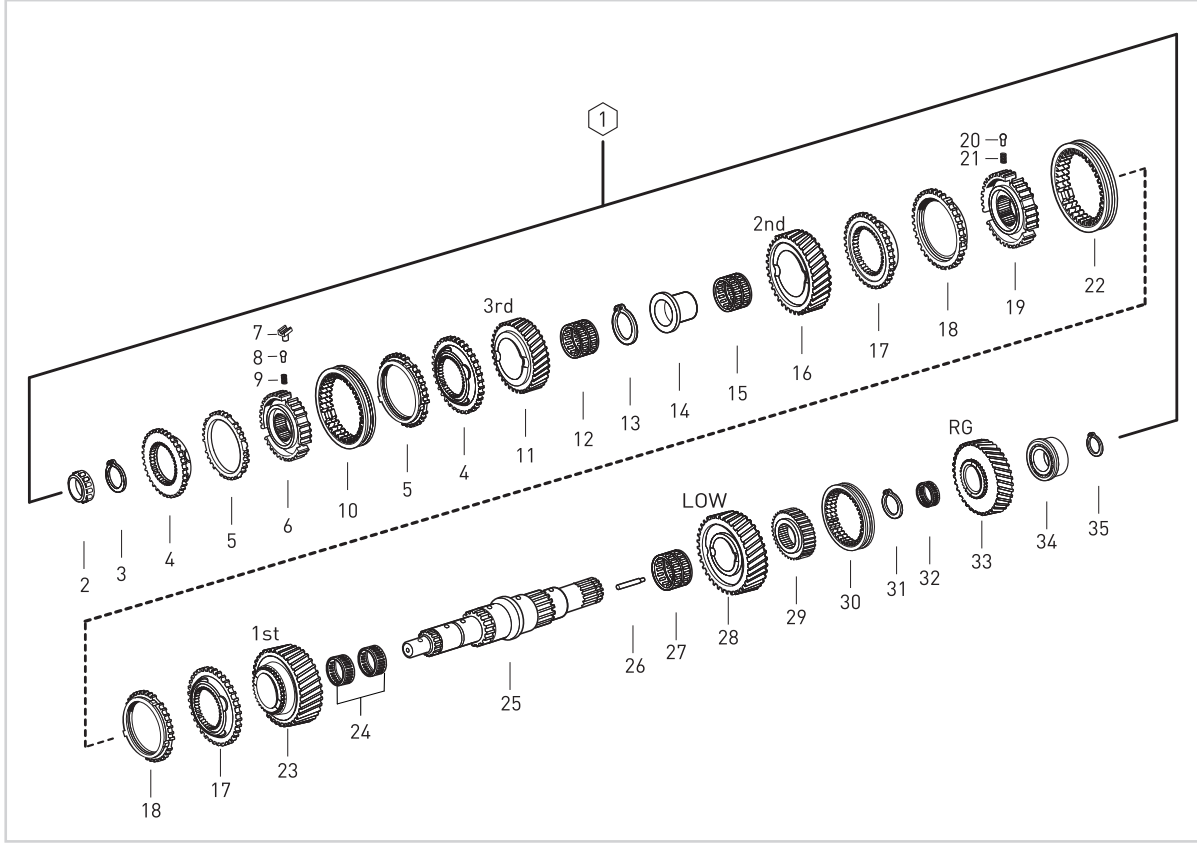


Fig	Kacmaz No.	Oem No	Oem Old No	Pcs.	Ürün Tanımı	Description	Sizes
1	K20.00986	2000986		kit	KAMALI MİL KOMPLE	MAIN SHAFT COMPLETE	
2	K20.01105	0735 371 748	(0750 117 507)	1	KAMALI MİL UÇ BİLYA	ROLLER BEARING	32x29.50mm
3		0630 501 146		1	PRİZ.VE 3.VİT.YILDIZ DİŞ.SEKMANI	RETAINING RING	2.20mm
4	K20.00295	1304 304 660	(1304 304 056)	2	PRİZ.VE 3.VİT.KİLİT SENKROMENÇ	ENGAGING RING	
5	K20.00260	1304 304 683	(1304 304 014)	2	PRİZ. VE 3.VİTES SENK.FRENLEME	SYNCHRONIZING CONE	
6	K20.00296	1304 304 051		1	PRİZ.VE 3.VİT.YILDIZ DİŞLİ	GUIDE SLEEVE	
7	K20.00468	1238 304 394		3	3.VİTES YILDIZ DİŞLİ FİŞEĞİ	PRESSURE PIECE	
8	K20.00467	1249 304 222		3	3.VİTES YILDIZ DİŞLİ PİMİ	PIN	
9	K20.00110	0732 040 409		3	3.VİTES YILDIZ DİŞLİ FİŞEK YAYI	SPRING	
10	K20.00298	6002 305 515	(1304 304 013)	1	PRİZ. VE 3.VİTES SENK.HALKA	ENGAGING SLEEVE	
11	K20.00287	1304 304 472		1	3.VİTES DİŞLİSİ 23 DİŞ	GEAR 3rd 23 T	
12	K20.01304	0735 321 011	(0735 320 822)	2	3.VİTES MASURA BİLYA	NEEDLE CAGE	60x68x23mm
13		0630 501 041		1	2.VİTES MAS.BİL. ÇANAK SEKMANI	RETAINING RING	60x2.40mm
14	K20.00320	1304 304 050		1	2.VİTES MASURA BİLYA ÇANAĞI	BEARING RACE	
15	K20.01305	0750 115 227	(0750 115 970)	1	2.VİTES MASURA BİLYA	NEEDLE CAGE	75x83x40mm
16	K20.00291	1304 304 367		1	2.VİTES DİŞLİSİ 31 DİŞ	GEAR 2nd 31 T	
17	K20.00261	1304 304 408		2	1./2.VİTES KİLİT SENKROMENÇ	ENGAGING RING	
18	K20.00262	1304 304 681	(1304 304 542)	2	1./2.VİTES SENK.FRENLEME	SYNCHRONIZING CONE	
19	K20.00297	1304 304 591	(1324 304 052)	1	1./2.VİTES YILDIZ DİŞLİ	GUIDE SLEEVE	
20	K20.00111	1297 304 436		3	1./2.VİTES YILDIZ DİŞLİ FİŞEĞİ	PRESSURE PIECE	
21	K20.00110	0732 040 409		3	1./2.VİTES YILDIZ DİŞLİ FİŞEK YAYI	SPRING	
22	K20.00255	1304 304 597	(1324 304 053)	1	1./2.VİTES SENK.HALKA	ENGAGING SLEEVE	
23	K20.00303	1304 304 471		1	1.VİTES DİŞLİSİ 32 DİŞ	GEAR 1st 32 T	
24	K20.01307	0735 320 816		2	1.VİTES MASURA BİLYA	NEEDLE CAGE	75x83x23mm
25	K20.00307	1304 304 449		1	KAMALI MİL	MAIN SHAFT	
26	K20.01506	1312 304 150	(1324 304 014)	1	KAMALI MİL YAĞ BORUSU	OIL PIPE	
27	K20.01308	0735 320 500	(0750 115 972)	1	C.VİTES MASURA BİLYA	NEEDLE CAGE	75x83x35mm
28	K20.00308	1304 304 428		1	C VİTES DİŞLİSİ 38 DİŞ	GEAR CRAWLING 38 T	
29	K20.00080	1304 304 443	(1324 304 037)	1	GERİ VİTES YILDIZ DİŞLİ	GUIDE SLEEVE	
30	K20.00311	1304 304 444		1	GERİ VİTES HALKASI	ENGAGING SLEEVE	
31		0630 501 195		1	GERİ VİT.YILDIZ DİŞLİ SEKMANI	RETAINING RING	
32	K20.01309	0750 115 225	(0750 115 973)	1	GERİ VİTES MASURA BİLYA	NEEDLE CAGE	60x68x39mm
33	K20.00353	1304 304 437		1	GERİ VİTES DİŞLİSİ 35 DİŞ	REVERSE GEAR 35 T	
34	K20.01113	0735 371 605		1	KAMALI MİL ARKA BİLYA	ROLLER BEARING	50x3.00mm
35		0630 531 065		1	KAMALI MİL ARKA SEKMAN	RETAINING RING	

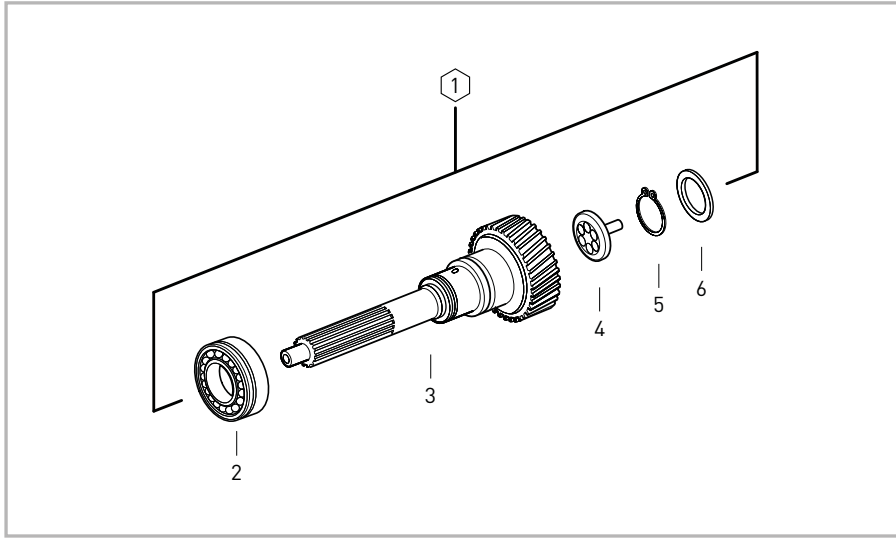


Fig.	Kacmaz No.	Oem No	Oem Old No	Pcs.	Ürün Tanımı	Description	Sizes
1	K20.00989	2000989		kit	PRİZDİREK KOMPLE	INPUT SHAFT COMPLETE	
2	K20.01101	0750 117 079	(0735 370 233)	1	PRİZDİREK ÖN BİLYA	ROLLER BEARING	66.60x117.40x30.10mm
3	K20.00275	1304 202 168	(1304 302 384)	1	PRİZDİREK 26 DIŞ	INPUT SHAFT 26 T	
4	K20.01501	1304 302 440		1	PRİZDİREK YAĞ PİPETİ	OIL PIPET	
5	K20.01502	0630 502 063		1	PRİZDİREK YAĞ PİPET SEKMANI	RETAINING RING	58x2.00mm
6	K20.01010	0501 311 146		1	PRİZDİREK ARKA KEÇE	OIL SEAL	

Fig.	Kacmaz No.	Oem No	Oem Old No	Pcs.	Ürün Tanımı	Description	Sizes
1	K20.00990	2000990		kit	PRİZDİREK KOMPLE	INPUT SHAFT	
2	K20.01101	0750 117 079	(0735 370 233)	1	PRİZDİREK ÖN BİLYA	ROLLER BEARING	66.60x117.40x30.10mm
3	K20.00277	1304 202 177	(1304 302 388)	1	PRİZDİREK 26 DIŞ	INPUT SHAFT 26 T	
4	K20.01501	1304 302 440		1	PRİZDİREK YAĞ PİPETİ	OIL PIPET	
5	K20.01502	0630 502 063		1	PRİZDİREK YAĞ PİPET SEKMANI	RETAINING RING	58x2.00mm
6	K20.01010	0501 311 146		1	PRİZDİREK ARKA KEÇE	OIL SEAL	

Fig.	Kacmaz No.	Oem No	Oem Old No	Pcs.	Ürün Tanımı	Description	Sizes
1	K20.00991	2000991		kit	PRİZDİREK KOMPLE	INPUT SHAFT	
2	K20.01101	0750 117 079	(0735 370 233)	1	PRİZDİREK ÖN BİLYA	ROLLER BEARING	66.60x117.40x30.10mm
3	K20.00575	1304 202 252	(1304 302 490)	1	PRİZDİREK 26 DIŞ	INPUT SHAFT 26 T	
4	K20.01501	1304 302 440		1	PRİZDİREK YAĞ PİPETİ	OIL PIPET	
5	K20.01502	0630 502 063		1	PRİZDİREK YAĞ PİPET SEKMANI	RETAINING RING	58x2.00mm
6	K20.01010	0501 311 146		1	PRİZDİREK ARKA KEÇE	OIL SEAL	

Fig.	Kacmaz No.	Oem No	Oem Old No	Pcs.	Ürün Tanımı	Description	Sizes
1	K20.00992	2000992		kit	PRİZDİREK KOMPLE	INPUT SHAFT	
2	K20.01101	0750 117 079	(0735 370 233)	1	PRİZDİREK ÖN BİLYA	ROLLER BEARING	66.60x117.40x30.10mm
3	K20.00276	1304 202 175	(1304 302 386)	1	PRİZDİREK 26 DIŞ	INPUT SHAFT 26 T	
4	K20.01501	1304 302 440		1	PRİZDİREK YAĞ PİPETİ	OIL PIPET	
5	K20.01502	0630 502 063		1	PRİZDİREK YAĞ PİPET SEKMANI	RETAINING RING	58x2.00mm
6	K20.01010	0501 311 146		1	PRİZDİREK ARKA KEÇE	OIL SEAL	

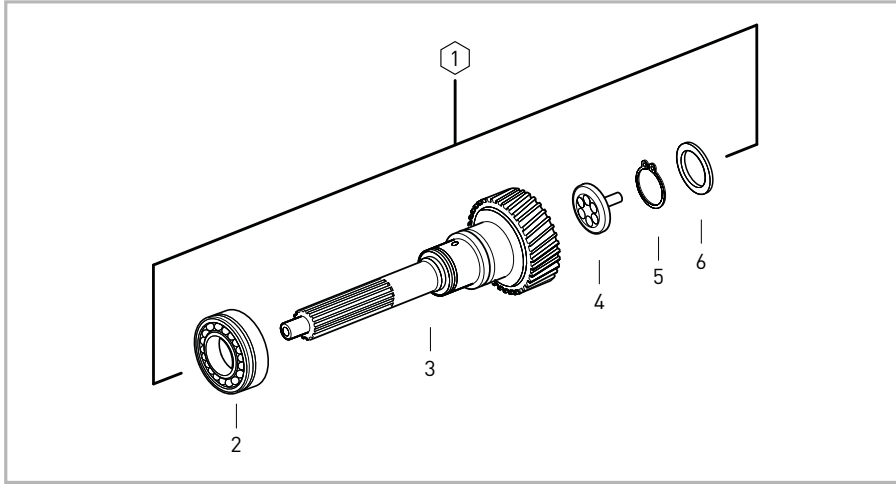


Fig.	Kacmaz No.	Oem No	Oem Old No	Pcs.	Ürün Tanımı	Description	Sizes
1	K20.00993	2000993		kit	PRİZDİREK KOMPLE	INPUT SHAFT COMPLETE	
2	K20.01101	0750 117 079	[0735 370 233]	1	PRİZDİREK ÖN BİLYA	ROLLER BEARING	66.60x117.40x30.10mm
3	K20.00270	1304 202 171	[1304 302 391]	1	PRİZDİREK 27 DİŞ	INPUT SHAFT 27 T	RENAULT-MAN
4	K20.01501	1304 302 440		1	PRİZDİREK YAĞ PİPETİ	OIL PIPET	
5	K20.01502	0630 502 063		1	PRİZDİREK YAĞ PİPET SEKMANI	RETAINING RING	58x2.00mm
6	K20.01010	0501 311 146		1	PRİZDİREK ARKA KEÇE	OIL SEAL	

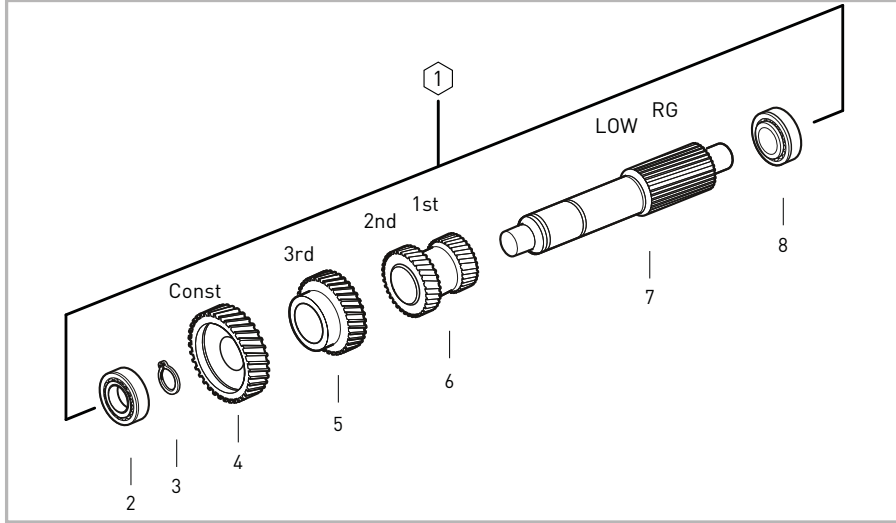


Fig.	Kacmaz No.	Oem No	Oem Old No	Pcs.	Ürün Tanımı	Description	Sizes
1	K20.00996	2000996		kit	GRUP MİLİ KOMPLE	COUNTER SHAFT COMPLETE	
2	K20.01122	0735 371 749	[0750 118 511]	1	GRUP MİLİ ÖN BİLYA	ROLLER BEARING	40x80x32mm
3		0630 531 050		1	GRUP MİLİ ÖN BİLYA SEKMANI	RETAINING RING	40x2.50 mm
4	K20.00281	1304 303 285		1	PRİZDİREK KARŞILIĞI 33 DİŞ	CONSTANT GEAR 33 T	
5	K20.00283	1304 303 210		1	3.VİTES DİŞLİ KARŞILIĞI 38 DİŞ	GEAR 3rd 38 T	
6	K20.00313	1304 303 209		1	1./2.VİTES DİŞLİ KARŞ. 21/28 DİŞ	DOUBLE GEAR 1st/2nd 21/28 T	
7	K20.00317	1304 303 269		1	GRUP MİLİ 16 DİŞ	COUNTER SHAFT 16 T	
8	K20.01123	0750 117 083	[0750 120 067]	1	GRUP MİLİ ARKA BİLYA	ROLLER BEARING	50.80x95.20x27.70mm

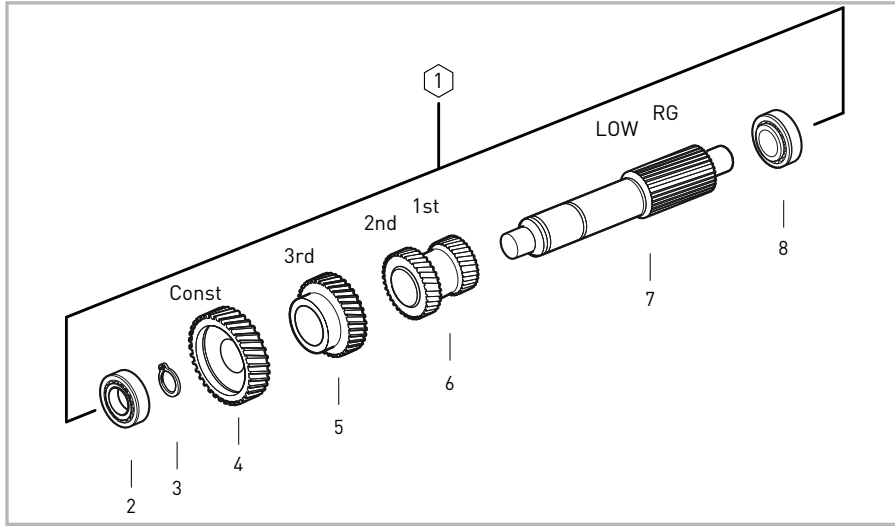


Fig. Kacmaz No.	Oem No	Oem Old No	Pcs.	Ürün Tanımı	Description	Sizes
1	K20.00994	2000994		kit GRUP MİLİ KOMPLE	COUNTER SHAFT COMPLETE	
2	K20.01122	0735 371 749	[0750 118 511]	1 GRUP MİLİ ÖN BİLYA	ROLLER BEARING	40x80x32mm
3		0630 531 050		1 GRUP MİLİ ÖN BİLYA SEKMANI	RETAINING RING	40x2.50 mm
4	K20.00282	1304 303 272		1 PRİZDİREK KARŞILIĞI 36 DİŞ	CONSTANT GEAR 36 T	
5	K20.00285	1304 303 287		1 3.VİTES DİŞLİ KARŞILIĞI 28 DİŞ	GEAR 3rd 28 T	
6	K20.00315	1304 303 286		1 1./2.VİTES DİŞLİ KARŞ. 18/23 DİŞ	DOUBLE GEAR 1st/2nd 18/23 T	
7	K20.00318	1304 303 268		1 GRUP MİLİ 14 DİŞ	COUNTER SHAFT 14 T	
8	K20.01123	0750 117 083	[0750 120 067]	1 GRUP MİLİ ARKA BİLYA	ROLLER BEARING	50.80x95.20x27.70mm

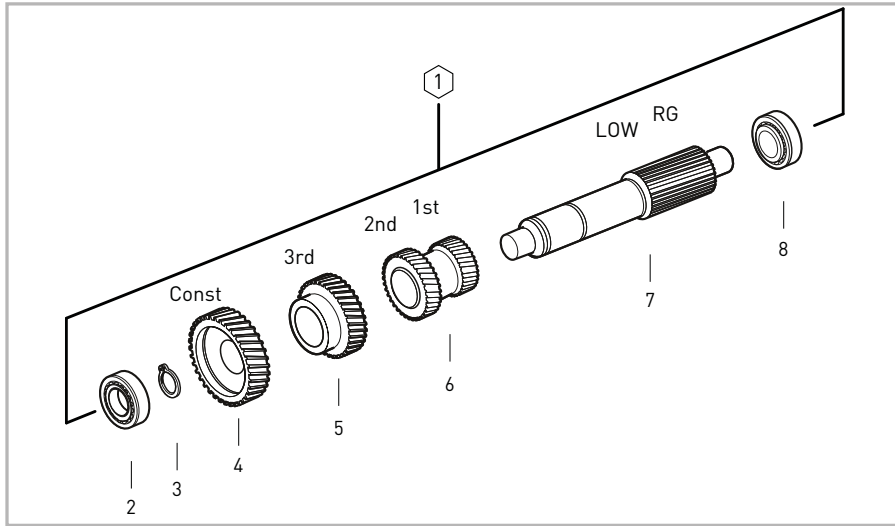


Fig. Kacmaz No.	Oem No	Oem Old No	Pcs.	Ürün Tanımı	Description	Sizes
1	K20.00995	2000995		kit GRUP MİLİ KOMPLE	COUNTER SHAFT COMPLETE	
2	K20.01122	0735 371 749	[0750 118 511]	1 GRUP MİLİ ÖN BİLYA	ROLLER BEARING	40x80x32mm
3		0630 531 050		1 GRUP MİLİ ÖN BİLYA SEKMANI	RETAINING RING	40x2.50 mm
4	K20.00282	1304 303 272		1 PRİZDİREK KARŞILIĞI 36 DİŞ	CONSTANT GEAR 36 T	
5	K20.00286	1304 303 244	[1304 303 151]	1 3.VİTES DİŞLİ KARŞILIĞI 27 DİŞ	GEAR 3rd 27 T	
6	K20.00316	1304 303 243	[1304 303 153]	1 1./2.VİTES DİŞLİ KARŞ. 19/23 DİŞ	DOUBLE GEAR 1st/2nd 19/23 T	
7	K20.00319	1304 303 267		1 GRUP MİLİ 14 DİŞ	COUNTER SHAFT 14 T	
8	K20.01123	0750 117 083	[0750 120 067]	1 GRUP MİLİ ARKA BİLYA	ROLLER BEARING	50.80x95.20x27.70mm