

| Fig. | Kacmaz No. | Oem No | Oem Old No | Pcs. | Ürün Tanımı | Description | Sizes | Notes | |
|------|------------|--------------|----------------|------|--------------------------|--------------------|---------------|-------|---|
| 1 | | 1312 302 064 | | 1 | PRİZDİREK KEÇE KAPAĞI | COVER | L= 80 D=68 | A | ◆ |
| 2 | | 1312 302 036 | | 1 | PRİZDİREK KEÇE KAPAĞI | COVER | L=170 D=60 | B | ◆ |
| 3 | K20.01003 | 0734 310 387 | | 1 | PRİZDİREK KEÇESİ | OIL SEAL | 55X75X8mm | | ◆ |
| 4 | K20.00484 | 1295 202 041 | | 1 | YAĞ POMPASI | OIL PUMP | | | ◆ |
| 5 | K20.00561 | 1295 307 479 | | 1 | ŞANZIMAN KULE KAPAĞI | COVER | | | ◆ |
| 6 | K20.00597 | 1295 307 434 | | 1 | ŞANZIMAN KULE KAPAĞI | COVER | | | ◆ |
| 7 | | 1312 301 020 | (1312 301 006) | 1 | ŞANZIMAN ÖN GÖVDE | HOUSING | | A | ◆ |
| 7 | | 1312 301 021 | (1312 301 007) | 1 | ŞANZIMAN ÖN GÖVDE | HOUSING | | B | ◆ |
| 7 | | 1312 301 026 | | 1 | ŞANZIMAN ÖN GÖVDE | HOUSING | | C | ◆ |
| 8 | K20.01662 | 1499 298 135 | | 1 | EMN.SACI VE P.KİLİT TAK. | SIPLIT RING KIT | 4.30mm | (1) | ◆ |
| 8 | K20.01664 | 1499 298 133 | | 1 | EMN.SACI VE P.KİLİT TAK. | SIPLIT RING KIT | 4.20mm | (2) | ◆ |
| 8 | K20.01666 | 1499 298 131 | | 1 | EMN.SACI VE P.KİLİT TAK. | SIPLIT RING KIT | 4.10mm | (3) | ◆ |
| 8 | K20.01555 | 1499 298 129 | | 1 | EMN.SACI VE P.KİLİT TAK. | SIPLIT RING KIT | 4.00mm | (4) | ◆ |
| 8 | K20.01557 | 1499 298 127 | | 1 | EMN.SACI VE P.KİLİT TAK. | SIPLIT RING KIT | 3.90mm | (5) | ◆ |
| 8 | K20.01559 | 1499 298 125 | | 1 | EMN.SACI VE P.KİLİT TAK. | SIPLIT RING KIT | 3.80mm | (6) | ◆ |
| 9 | K20.01554 | 0730 061 816 | | 1 | P. KİLİT EMNİYET SACI | RETAINING RING | | | ◆ |
| 10 | K20.01663 | 0730 106 168 | | 2 | PARÇALI KİLİT | SIPLIT RING | 4.30mm | | ◆ |
| 10 | K20.01665 | 0730 106 166 | | 2 | PARÇALI KİLİT | SIPLIT RING | 4.20mm | | ◆ |
| 10 | K20.01667 | 0730 106 164 | | 2 | PARÇALI KİLİT | SIPLIT RING | 4.10mm | | ◆ |
| 10 | K20.01556 | 0730 106 162 | | 2 | PARÇALI KİLİT | SIPLIT RING | 4.00mm | | ◆ |
| 10 | K20.01558 | 0730 106 160 | | 2 | PARÇALI KİLİT | SIPLIT RING | 3.90mm | | ◆ |
| 10 | K20.01560 | 0730 106 158 | | 2 | PARÇALI KİLİT | SIPLIT RING | 3.80mm | | ◆ |
| 11 | K20.01668 | 0730 005 748 | | 1 | PRİZ.ÖN BİLYA RAYNELİ | SHIM | 0.90mm | | ◆ |
| 11 | K20.01669 | 0730 005 743 | | 1 | PRİZ.ÖN BİLYA RAYNELİ | SHIM | 0.65mm | | ◆ |
| 11 | K20.01670 | 2050 309 066 | | 1 | PRİZ.ÖN BİLYA RAYNELİ | SHIM | 0.50mm | | ◆ |
| 11 | K20.01671 | 2050 309 067 | | 1 | PRİZ.ÖN BİLYA RAYNELİ | SHIM | 0.30mm | | ◆ |
| 11 | K20.01582 | 0730 005 747 | | 1 | PRİZ.ÖN BİLYA RAYNELİ | SHIM | 0.25mm | | ◆ |
| 11 | K20.01672 | 2050 309 068 | | 1 | PRİZ.ÖN BİLYA RAYNELİ | SHIM | 0.20mm | | ◆ |
| 11 | K20.01673 | 2001673 | | 1 | PRİZ.ÖN BİLYA RAYNELİ | SHIM | 0.10mm | | ◆ |
| 12 | K20.01103 | 0750 117 431 | | 1 | PRİZDİREK ÖN BİLYA | ROLLER BEARING | 75X150X30.5mm | | ◆ |
| 13 | K20.01325 | 0735 320 950 | | 2 | PRİZ. MASURA BİLYA | NEEDLE CAGE | 93X101X32.5mm | | ◆ |
| 14 | K20.00121 | 1312 302 073 | | 1 | OVARDİRE DİŞLİSİ 34 DİŞ | CONSTANT GEAR 34 T | | | ◆ |
| 15 | K20.00101 | 1312 304 027 | | 1 | TAKVİYE SENKROMENÇ | ENGAGING RING | | | ◆ |
| 16 | K20.00108 | 1297 304 484 | (1297 304 402) | 2 | TAKVİYE SENK.FRENLEME | SYNCHRONIZING CONE | | | ◆ |
| 17 | K20.00098 | 1310 304 202 | (1312 302 057) | 1 | TAKVİYE SENK.HALKA | ENGAGING SLEEVE | | | ◆ |
| | | | (1310 304 174) | | | | | | |
| 18 | K20.00204 | 1297 306 120 | | 6 | TAHVİYE HİLAL PABUCU | SLIDING PAD | | | ◆ |
| 19 | | 1313 312 002 | | 1 | TAKVİYE HİLALİ | G.SHIFT FORK | | | ◆ |
| 20 | K20.01688 | 1315 312 047 | | 2 | TAKVİYE HİLAL VİDASI | SCREW | M12X1.0mm | | ◆ |
| 21 | | 1312 312 008 | | 1 | TAKVİYE HİLAL MİLİ | G.SHIFT RAIL | | | ◆ |
| 22 | | 0634 313 671 | | 1 | TAKVİYE SİLİNDİR ORİNGİ | O-RING | 80.0X3.0mm | | ◆ |

NOTES :

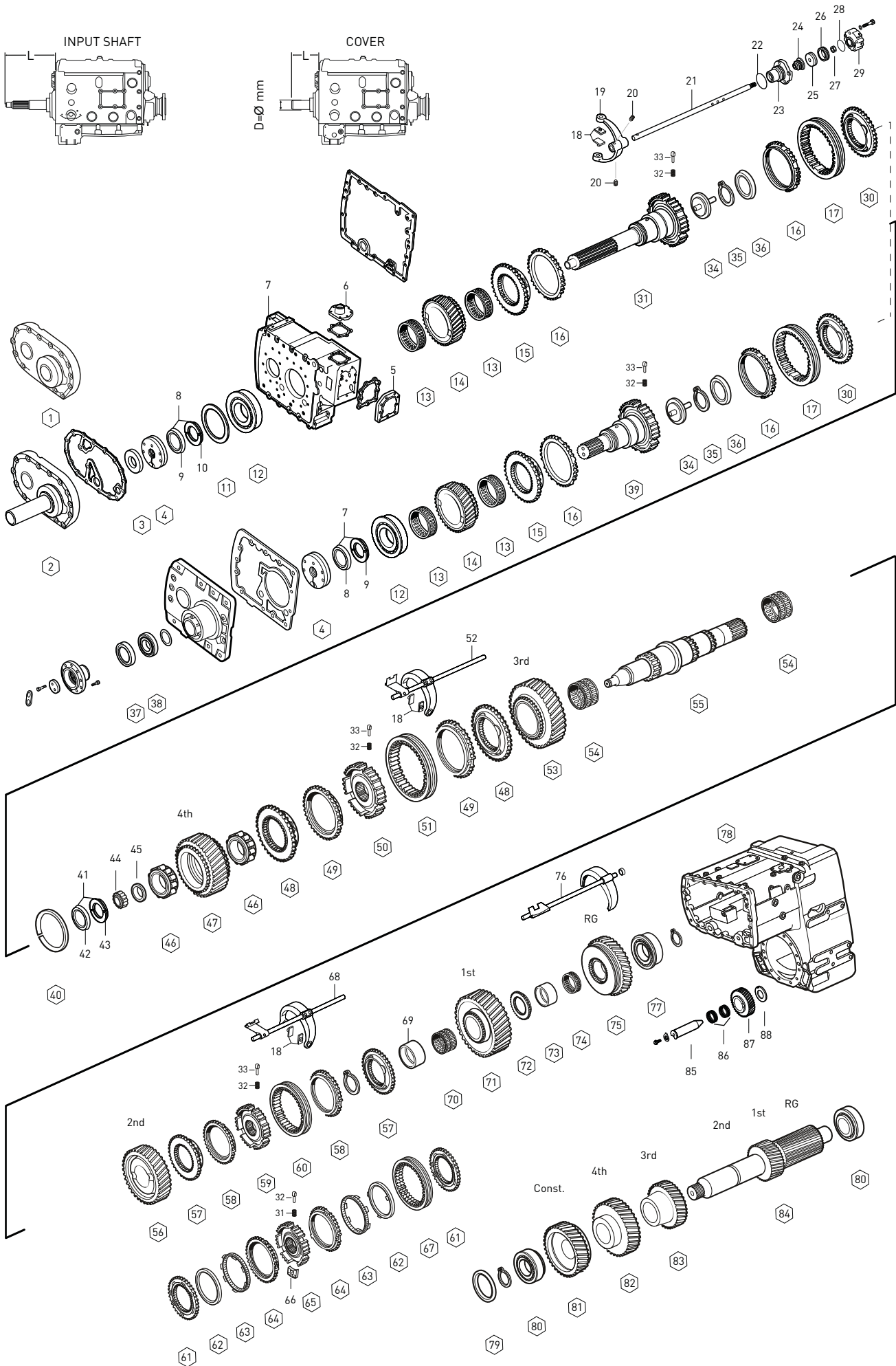
ABCD alfabetic letters are used in conjunction with the encoded parts.

- (1) This kit includes (1499 298 135) = 2pcs 0730 106 168 + 1pcs 0730 061 816
(2) This kit includes (1499 298 133) = 2pcs 0730 106 166 + 1pcs 0730 061 816
(3) This kit includes (1499 298 131) = 2pcs 0730 106 164 + 1pcs 0730 061 816
(4) This kit includes (1499 298 129) = 2pcs 0730 106 162 + 1pcs 0730 061 816
(5) This kit includes (1499 298 127) = 2pcs 0730 106 160 + 1pcs 0730 061 816
(6) This kit includes (1499 298 125) = 2pcs 0730 106 158 + 1pcs 0730 061 816

NOTLAR :

ABCD alfabetik harfler ile kodlanan parçalar birlikte kullanılır.

- (1) (1499 298 135) nolu kit bu parçalardan oluşur = 2pcs 0730 106 168 + 1pcs 0730 061 816
(2) (1499 298 133) nolu kit bu parçalardan oluşur = 2pcs 0730 106 166 + 1pcs 0730 061 816
(3) (1499 298 131) nolu kit bu parçalardan oluşur = 2pcs 0730 106 164 + 1pcs 0730 061 816
(4) (1499 298 129) nolu kit bu parçalardan oluşur = 2pcs 0730 106 162 + 1pcs 0730 061 816
(5) (1499 298 127) nolu kit bu parçalardan oluşur = 2pcs 0730 106 160 + 1pcs 0730 061 816
(6) (1499 298 125) nolu kit bu parçalardan oluşur = 2pcs 0730 106 158 + 1pcs 0730 061 816



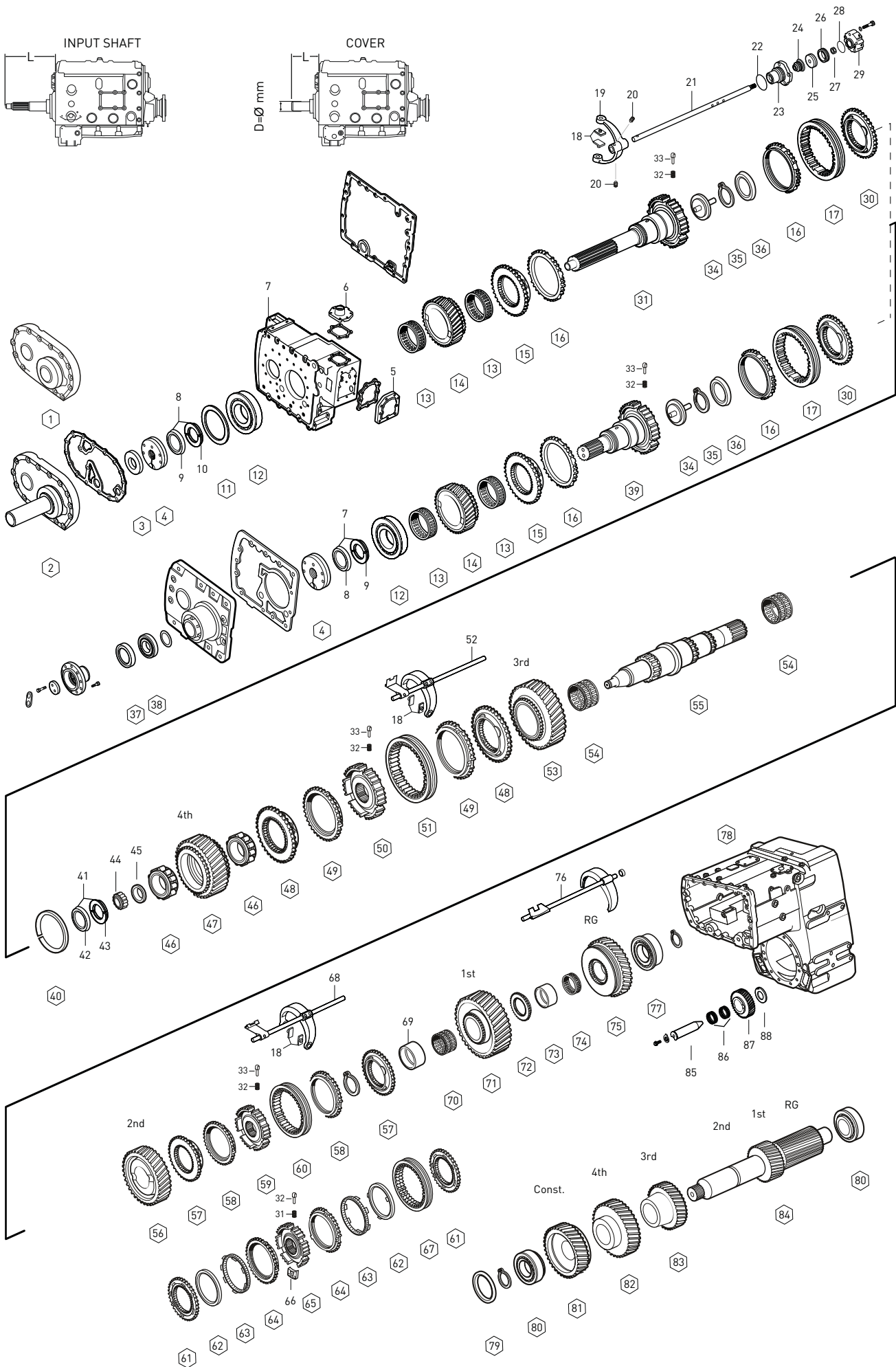
| Fig. | Kacmaz No. | Oem No | Oem Old No | Pcs. | Ürün Tanımı | Description | Sizes | Notes | |
|------|------------|--------------|----------------|------|----------------------------|--------------------------|-------------------|-------|---|
| 23 | K20.01738 | 1296 312 042 | (1296 312 016) | 1 | TAKVİYE SİLİNDİR GÖVDESİ | CYLINDER | | | ◆ |
| 24 | K20.01016 | 0750 112 034 | | 1 | TAKVİYE HİLAL MİL KEÇESİ | FLANGE PACKING | 25.0X38.0X14.2mm | | ◆ |
| 25 | | 1312 312 003 | (1296 312 056) | 1 | TAKVİYE HİLAL MİL PİSTONU | PISTON | | | ◆ |
| 26 | K20.01021 | 0750 112 089 | | 1 | TAKVİYE HAVA KEÇESİ | DOUBLE PACKING | 53.0X63.0X16.2mm | | ◆ |
| 27 | | 0737 006 095 | | 1 | TAKVİYE HİLAL MİL SOMUNU | NUT | M16X1.5mm | | ◆ |
| 28 | | 0634 314 018 | | 1 | TAKVİYE SİLİNDİR ORİNGİ | O-RING | 59.0X2.0mm | | ◆ |
| 29 | | 0750 132 032 | | 1 | TAKVİYE VENTİLİ | 5/2 WAY VALVE | | AC | ◆ |
| 29 | | 1295 212 009 | (0501 204 597) | 1 | TAKVİYE VENTİLİ | 5/2 WAY VALVE | | B | ◆ |
| 30 | K20.00097 | 1312 304 056 | | 1 | TAKVİYE SENKROMENÇ | ENGAGING RING | | | ◆ |
| 31 | K20.00539 | 1312 202 035 | (1312 202 032) | 1 | PRİZDİREK | INPUT SHAFT | L=320 SAE 2 | A | ◆ |
| 31 | K20.00116 | 1312 202 037 | (1312 202 026) | 1 | PRİZDİREK | INPUT SHAFT | L=320 SAE 2 | B | ◆ |
| 31 | K20.00540 | 1312 202 040 | (1312 202 027) | 1 | PRİZDİREK | INPUT SHAFT | | C | ◆ |
| 32 | K20.00110 | 0732 040 409 | | 9 | PRİZ.ve YILDIZ DIŞLI YAYI | SPRING | | | ◆ |
| 33 | K20.00111 | 1297 304 436 | | 9 | PRİZ.veYILDIZ DIŞLI FİŞEĞİ | PRESSURE PIECE | | | ◆ |
| 34 | K20.01504 | 1315 302 196 | | 1 | PRİZDİREK YAĞ PİPETİ | OIL PIPET | | | ◆ |
| 35 | K20.01505 | 0630 502 027 | | 1 | PRİZDİREK SEKMANI | RETANING RING | 472/50X2mm | | ◆ |
| 36 | K20.01011 | 0501 314 060 | | 1 | PRİZDİREK ARKA KEÇE | OIL SEAL | | | ◆ |
| 37 | K20.01007 | 0734 319 276 | | 1 | PRİZDİREK ÖN KEÇE | OIL SEAL | 75X105X14mm | D | ◆ |
| 38 | K20.01136 | 0750 117 312 | | 1 | ŞANZ.KAPAK BİLYASI | ROLLER BEARING | 50.8X104.7X30.1mm | D | ◆ |
| 39 | K20.00536 | 1312 202 041 | (1312 202 031) | 1 | PRİZDİREK (Kısa Tip) | INPUT SHAFT (Short Type) | | D | ◆ |
| 40 | K20.01523 | 0730 005 468 | | 1 | SENKROMENÇ AYAR SEKMANI | RING | 4.00mm | | ◆ |
| 40 | K20.01524 | 0730 005 466 | | 1 | SENKROMENÇ AYAR SEKMANI | RING | 3.60mm | | ◆ |
| 41 | K20.01561 | 1499 298 027 | | 1 | EMN.SACI VE P.KİLİT TAK. | SIPLIT RING KIT | 5.00mm | (7) | ◆ |
| 41 | K20.01563 | 1499 298 026 | | 1 | EMN.SACI VE P.KİLİT TAK. | SIPLIT RING KIT | 4.90mm | (8) | ◆ |
| 41 | K20.01580 | 2001580 | | 1 | EMN.SACI VE P.KİLİT TAK. | SIPLIT RING KIT | 4.85mm | (9) | ◆ |
| 41 | K20.01565 | 1499 298 025 | | 1 | EMN.SACI VE P.KİLİT TAK. | SIPLIT RING KIT | 4.80mm | (10) | ◆ |
| 41 | K20.01567 | 1499 298 024 | | 1 | EMN.SACI VE P.KİLİT TAK. | SIPLIT RING KIT | 4.70mm | (11) | ◆ |
| 41 | K20.01569 | 1499 298 023 | | 1 | EMN.SACI VE P.KİLİT TAK. | SIPLIT RING KIT | 4.60mm | (12) | ◆ |
| 42 | K20.01571 | 0730 062 781 | | 1 | P. KİLİT EMNİYET SACI | RETAINING RING | | | ◆ |
| 43 | K20.01562 | 0730 107 023 | | 2 | PARÇALI KİLİT | SIPLIT RING | 5.00mm | | ◆ |
| 43 | K20.01564 | 0730 107 022 | | 2 | PARÇALI KİLİT | SIPLIT RING | 4.90mm | | ◆ |
| 43 | K20.01581 | 2001581 | | 2 | PARÇALI KİLİT | SIPLIT RING | 4.85mm | | ◆ |
| 43 | K20.01566 | 0730 107 021 | | 2 | PARÇALI KİLİT | SIPLIT RING | 4.80mm | | ◆ |
| 43 | K20.01568 | 0730 107 020 | | 2 | PARÇALI KİLİT | SIPLIT RING | 4.70mm | | ◆ |
| 43 | K20.01570 | 0730 107 019 | | 2 | PARÇALI KİLİT | SIPLIT RING | 4.60mm | | ◆ |
| 44 | K20.01109 | 0750 117 232 | | 1 | KAMALI MİL UÇ BİLYA | ROLLER BEARING | 42X40.3mm | | ◆ |
| 45 | K20.01527 | 1315 304 048 | | 1 | KAMALI MİL UÇ BİLYA PULU | THRUST WASHER | 8.00mm | | ◆ |
| 45 | K20.01528 | 1315 304 047 | | 1 | KAMALI MİL UÇ BİLYA PULU | THRUST WASHER | 7.90mm | | ◆ |
| 45 | K20.01529 | 1315 304 046 | | 1 | KAMALI MİL UÇ BİLYA PULU | THRUST WASHER | 7.80mm | | ◆ |
| 46 | K20.01112 | 0750 118 258 | | 2 | 4.VİTES DIŞLI MAS.BİLYA | ROLLER BEARING | 67X101X38mm | | ◆ |
| 47 | K20.00133 | 1312 304 032 | | 1 | 4.VİTES DIŞLISI 30 DIŞ | GEAR 4th 30 T | | ABCD | ◆ |

NOTES :

ABCD alfabetic letters are used in conjunction with the encoded parts.
(7) This kit includes (1499 298 027) = 2pcs 0730 107 023 + 1pcs 0730 062 781
(8) This kit includes (1499 298 026) = 2pcs 0730 107 022 + 1pcs 0730 062 781
(9) This kit includes (2001580) = 2pcs 2001581 + 1pcs 0730 062 781
(10) This kit includes (1499 298 025) = 2pcs 0730 107 021 + 1pcs 0730 062 781
(11) This kit includes (1499 298 024) = 2pcs 0730 107 020 + 1pcs 0730 062 781
(12) This kit includes (1499 298 023) = 2pcs 0730 107 019 + 1pcs 0730 062 781

NOTLAR :

ABCD alfabetik harfler ile kodlananparçalar birlikte kullanılır.
(7) (1499 298 027) nolu kit bu parçalardan oluşur = 2pcs 0730 107 023 + 1pcs 0730 062 781
(8) (1499 298 026) nolu kit bu parçalardan oluşur = 2pcs 0730 107 022 + 1pcs 0730 062 781
(9) (2001580) nolu kit bu parçalardan oluşur = 2pcs 2001581 + 1pcs 0730 062 781
(10) (1499 298 025) nolu kit bu parçalardan oluşur = 2pcs 0730 107 021 + 1pcs 0730 062 781
(11) (1499 298 024) nolu kit bu parçalardan oluşur = 2pcs 0730 107 020 + 1pcs 0730 062 781
(12) (1499 298 023) nolu kit bu parçalardan oluşur = 2pcs 0730 107 019 + 1pcs 0730 062 781



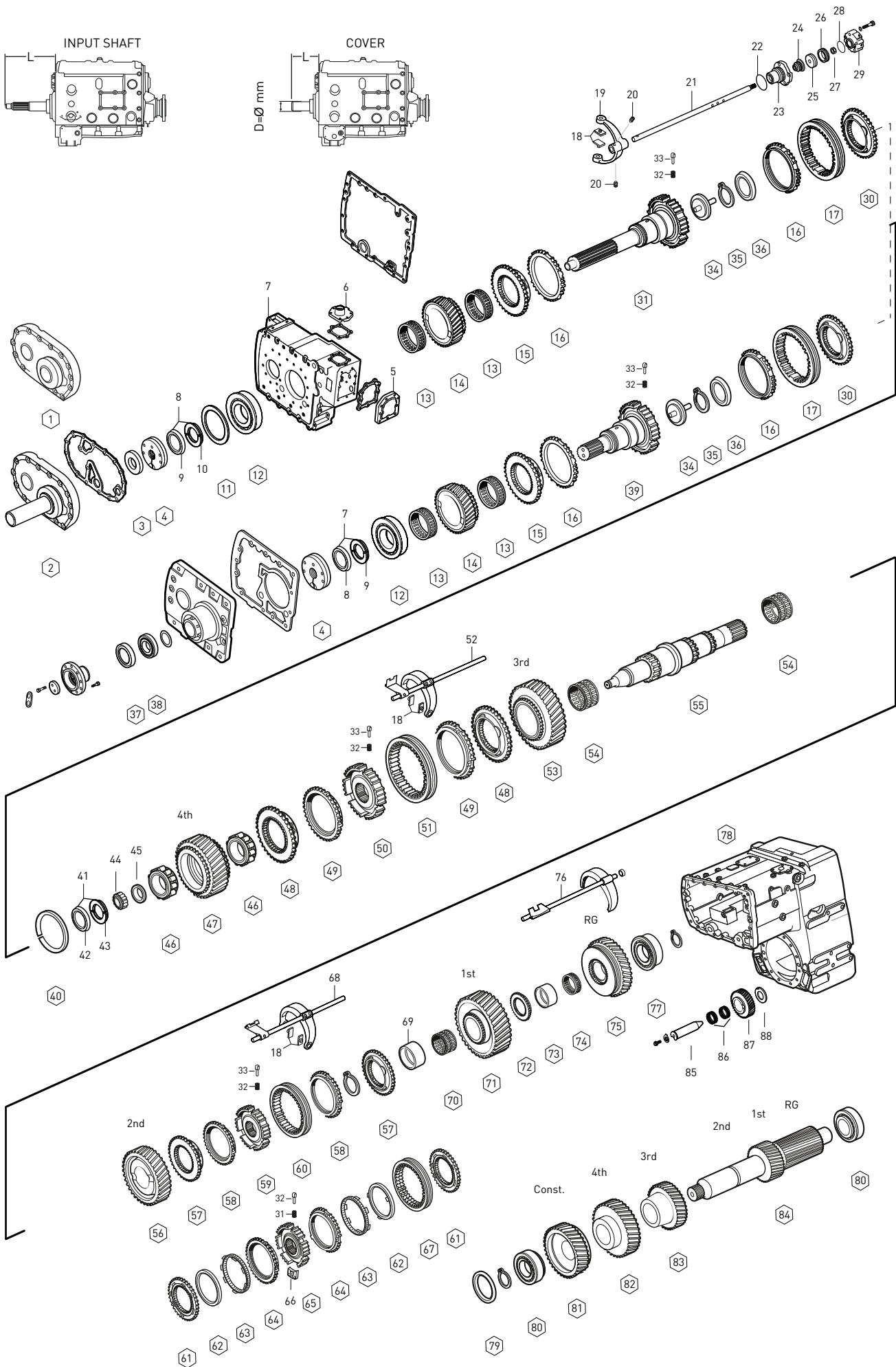
| Fig. | Kacmaz No. | Oem No | Oem Old No | Pcs. | Ürün Tanımı | Description | Sizes | Notes | |
|------|------------|--------------|----------------|------|------------------------------|------------------------|---------------|-------|---|
| 47 | K20.00134 | 1312 304 031 | | 1 | 4.VİTES DİŞLİSİ 34 DİŞ | GEAR 4th 34 T | | BD | ◆ |
| 48 | K20.00102 | 1316 304 159 | (1316 304 145) | 2 | 3./ 4.VİT.SENKROMENÇ | ENGAGING RING | | | ◆ |
| 49 | K20.00109 | 1316 304 168 | (1316 304 149) | 2 | 3./ 4.VİT.SENK.FRENLEME | SYNCHRONIZING CONE | | | ◆ |
| 50 | K20.00136 | 1316 304 162 | | 1 | 3./ 4.VİT.YILDIZ DİŞLİ | GUIDE SLEEVE | | | ◆ |
| 51 | K20.00103 | 1316 304 167 | (1315 304 135) | 1 | 3./ 4.VİT.SENK.HALKA | ENGAGING SLEEVE | | | ◆ |
| 52 | | 1312 206 036 | | 1 | 3./4.VİTES HİLALİ | GEAR SHIT FORK 3rd/4th | | AB | ◆ |
| 52 | | 1312 206 046 | | 1 | 3./4.VİTES HİLALİ | GEAR SHIT FORK 3rd/4th | | C | ◆ |
| 53 | K20.00138 | 1312 304 137 | | 1 | 3.VİTES DİŞLİSİ 32 DİŞ | GEAR 3rd 32 T | | ABCD | ◆ |
| 53 | K20.00139 | 1312 304 136 | | 1 | 3.VİTES DİŞLİSİ 34 DİŞ | GEAR 3rd 34 T | | BD | ◆ |
| 54 | K20.01326 | 0750 115 303 | | 2 | 2./3.VİT.MASURA BİLYA | NEEDLE CAGE | 92X100X63mm | | ◆ |
| 55 | K20.00184 | 1312 304 133 | | 1 | KAMALI MİL | MAIN SHAFT | | ABCD | ◆ |
| 56 | K20.00141 | 1312 304 141 | | 1 | 2.VİTES DİŞLİSİ 37 DİŞ | GEAR 2nd 37 T | | ABCD | ◆ |
| 56 | K20.00142 | 1312 304 139 | | 1 | 2.VİTES DİŞLİSİ 38 DİŞ | GEAR 2nd 38 T | | BD | ◆ |
| 57 | K20.00183 | 1316 304 156 | | 2 | 1./ 2.VİT.SENKROMENÇ | ENGAGING RING | | C | ◆ |
| 58 | K20.00113 | 1316 304 170 | (1316 304 150) | 2 | 1./ 2.VİT.SENK.FRENLEME | SYNCHRONIZING CONE | | C | ◆ |
| 59 | K20.00180 | 1316 304 163 | | 1 | 1./ 2.VİT.YILDIZ DİŞLİ | GUIDE SLEEVE | | C | ◆ |
| 60 | K20.00114 | 1316 304 169 | (1315 304 136) | 1 | 1./ 2.VİT.SENK.HALKA | ENGAGING SLEEVE | | C | ◆ |
| 61 | K20.00143 | 1312 304 106 | | 2 | 1./ 2.VİT.SENKROMENÇ | ENGAGING RING | | ABD | ◆ |
| 62 | K20.00144 | 1268 304 424 | | 2 | 1./ 2.VİT.SENK.FRENLEME | SYNCHRONIZING CONE | | ABD | ◆ |
| 63 | K20.00302 | 1268 304 494 | (1268 304 491) | 2 | 1./ 2.VİT.SENK.FRENLEME | INTERMEDIATE CONE | | ABD | ◆ |
| 64 | K20.00145 | 1268 304 525 | | 2 | 1./ 2.VİT.SENK.FRENLEME | SYNCHRONIZING CONE | | ABD | ◆ |
| 65 | K20.00146 | 1312 304 158 | | 1 | 1./ 2.VİT.YILDIZ DİŞLİ | GUIDE SLEEVE | | ABD | ◆ |
| 66 | K20.00209 | 1312 304 159 | | 3 | 1./ 2.VİT.YILDIZ DİŞ.BAKLASI | SLIDING BLOCK | | ABD | ◆ |
| 67 | K20.00147 | 1310 304 175 | (1312 304 157) | 1 | 1./ 2.VİT.SENK.HALKA | ENGAGING SLEEVE | | ABD | ◆ |
| 68 | | 1312 206 034 | | 1 | 1./2.VİTES HİLALİ | GEAR SHIT FORK 1st/2nd | | AB | ◆ |
| 68 | | 1312 206 040 | | 1 | 1./2.VİTES HİLALİ | GEAR SHIT FORK 1st/2nd | | C | ◆ |
| 69 | K20.00389 | 1312 304 084 | | 1 | 1.VİTES MAS.BİLYA ÇANAĞI | BEARING RACE | | | ◆ |
| 70 | K20.01328 | 0750 115 327 | | 1 | 1.VİTES MASURA BİLYA | NEEDLE CAGE | 96X104X72mm | | ◆ |
| 71 | K20.00433 | 1312 304 086 | | 1 | 1.VİTES DİŞLİSİ 44 DİŞ | GEAR 1st 44 T | | ABCD | ◆ |
| 71 | K20.00434 | 1312 304 085 | | 1 | 1.VİTES DİŞLİSİ 47 DİŞ | GEAR 1st 47 T | | BD | ◆ |
| 72 | K20.00436 | 1312 304 083 | | 1 | GERİ VİTES YILDIZ DİŞLİ | HUB | | | ◆ |
| 73 | K20.00422 | 1316 304 133 | (1312 304 082) | 1 | GERİ VİT.MAS.BİL.ÇANAĞI | BEARING RACE | | | ◆ |
| 74 | K20.01330 | 0750 115 326 | | 1 | GERİ VİTES MASURA BİLYA | NEEDLE CAGE | 90X98X50mm | | ◆ |
| 75 | K20.00440 | 1312 304 088 | | 1 | GERİ VİTES DİŞLİSİ 39 DİŞ | REVERSE GEAR 39 T | | ABCD | ◆ |
| 75 | K20.00439 | 1312 304 087 | | 1 | GERİ VİTES DİŞLİSİ 38 DİŞ | REVERSE GEAR 38 T | | BD | ◆ |
| 76 | | 1312 206 028 | | 1 | GERİ VİTES HİLALİ | GEAR SHIT FORK/RG | | AB | ◆ |
| 76 | | 1312 206 033 | | 1 | GERİ VİTES HİLALİ | GEAR SHIT FORK/RG | | C | ◆ |
| 77 | K20.01121 | 0750 117 678 | | 1 | KAMALI MİL ARKA BİLYA | ROLLER BEARING | 80X140X36.5mm | | ◆ |
| 78 | | 1312 301 082 | (1312 301 053) | 1 | ŞANZIMAN ORTA GÖVDE | HOUSING | | | ◆ |
| 79 | K20.01674 | 0730 106 917 | | 1 | GRUP MİLİ ÖN BİLYA RAYNELİ | SHIM | 3.00mm | | ◆ |
| 79 | K20.01675 | 0730 106 909 | | 1 | GRUP MİLİ ÖN BİLYA RAYNELİ | SHIM | 2.60mm | | ◆ |

NOTES :

ABCD alphabetic letters are used in conjunction with the encoded parts.

NOTLAR :

ABCD alfabetik harfler ile kodlanan parçalar birlikte kullanılır.



| Fig. | Kacmaz No. | Oem No | Oem Old No | Pcs. | rn Tanımı | Description | Sizes | Notes | |
|------|------------|--------------|----------------|------|----------------------------|-----------------------|-------------------|-------|---|
| 79 | K20.01676 | 0730 101 467 | | 1 | GRUP MİLİ N BİLYA RAYNELİ | SHIM | 2.20mm | | ◆ |
| 79 | K20.01677 | 0730 106 905 | | 1 | GRUP MİLİ N BİLYA RAYNELİ | SHIM | 1.85mm | | ◆ |
| 79 | K20.01678 | 2001678 | | 1 | GRUP MİLİ N BİLYA RAYNELİ | SHIM | 0.30mm | | ◆ |
| 79 | K20.01679 | 2001679 | | 1 | GRUP MİLİ N BİLYA RAYNELİ | SHIM | 0.20mm | | ◆ |
| 79 | K20.01680 | 2001680 | | 1 | GRUP MİLİ N BİLYA RAYNELİ | SHIM | 0.10mm | | ◆ |
| 80 | K20.01126 | 0750 117 009 | | 2 | GRUP MİLİ BİLYASI | ROLLER BEARING | 49.2X103.1X43.6mm | | ◆ |
| 81 | K20.00124 | 1312 303 006 | | 1 | VARD.İŞLİ KARŞ.37 İŞ | CONSTANT GEAR 37 T | | ABCD | ◆ |
| 81 | K20.00125 | 1312 303 005 | | 1 | VARD.İŞLİ KARŞ.39 İŞ | CONSTANT GEAR 39 T | | BD | ◆ |
| 82 | K20.00127 | 1312 303 017 | | 1 | 4.VİTES İŞLİ KARŞ.39 İŞ | GEAR 4th 39 T | | ABCD | ◆ |
| 82 | K20.00128 | 1312 303 016 | | 1 | 4.VİTES İŞLİ KARŞ.37 İŞ | GEAR 4th 37 T | | BD | ◆ |
| 83 | K20.00130 | 1312 303 020 | | 1 | 3.VİTES İŞLİ KARŞ.28 İŞ | GEAR 3rd 28 T | | ABCD | ◆ |
| 83 | K20.00131 | 1312 303 021 | | 1 | 3.VİTES İŞLİ KARŞ.26 İŞ | GEAR 3rd 26 T | | BD | ◆ |
| 84 | K20.00442 | 1312 303 009 | | 1 | GRUP MİLİ 19-23 İŞ | COUNTER SHAFT 19-23 T | | ABCD | ◆ |
| 84 | K20.00443 | 1312 303 008 | | 1 | GRUP MİLİ 17-20 İŞ | COUNTER SHAFT 17-20 T | | BD | ◆ |
| 85 | K20.00632 | 1297 305 008 | (1297 305 005) | 1 | KÇK GERİ VİTES PİMİ | PIN | | | ◆ |
| 86 | K20.01336 | 0750 115 255 | | 2 | KÇK GERİ VİT.MAS.BİLYA | NEEDLE CAGE | 45.0X53.0X25.0mm | | ◆ |
| 87 | K20.00626 | 1297 305 012 | | 1 | KÇK GERİ VİTES | REV.IDLER GEAR | | | ◆ |
| 87 | K20.00627 | 1297 305 011 | | 1 | KÇK GERİ VİTES | REV.IDLER GEAR | | | ◆ |
| 88 | K20.01655 | 0730 150 064 | | 1 | KÇK GERİ VİTES PULU | THRUST WASHER | | | ◆ |
| | | | | | | | | | |
| | | | | | | | | | |
| | | | | | | | | | |
| | | | | | | | | | |
| | | | | | | | | | |
| | | | | | | | | | |
| | | | | | | | | | |
| | | | | | | | | | |
| | | | | | | | | | |
| | | | | | | | | | |
| | | | | | | | | | |
| | | | | | | | | | |
| | | | | | | | | | |
| | | | | | | | | | |
| | | | | | | | | | |
| | | | | | | | | | |
| | | | | | | | | | |
| | | | | | | | | | |
| | | | | | | | | | |
| | | | | | | | | | |
| | | | | | | | | | |

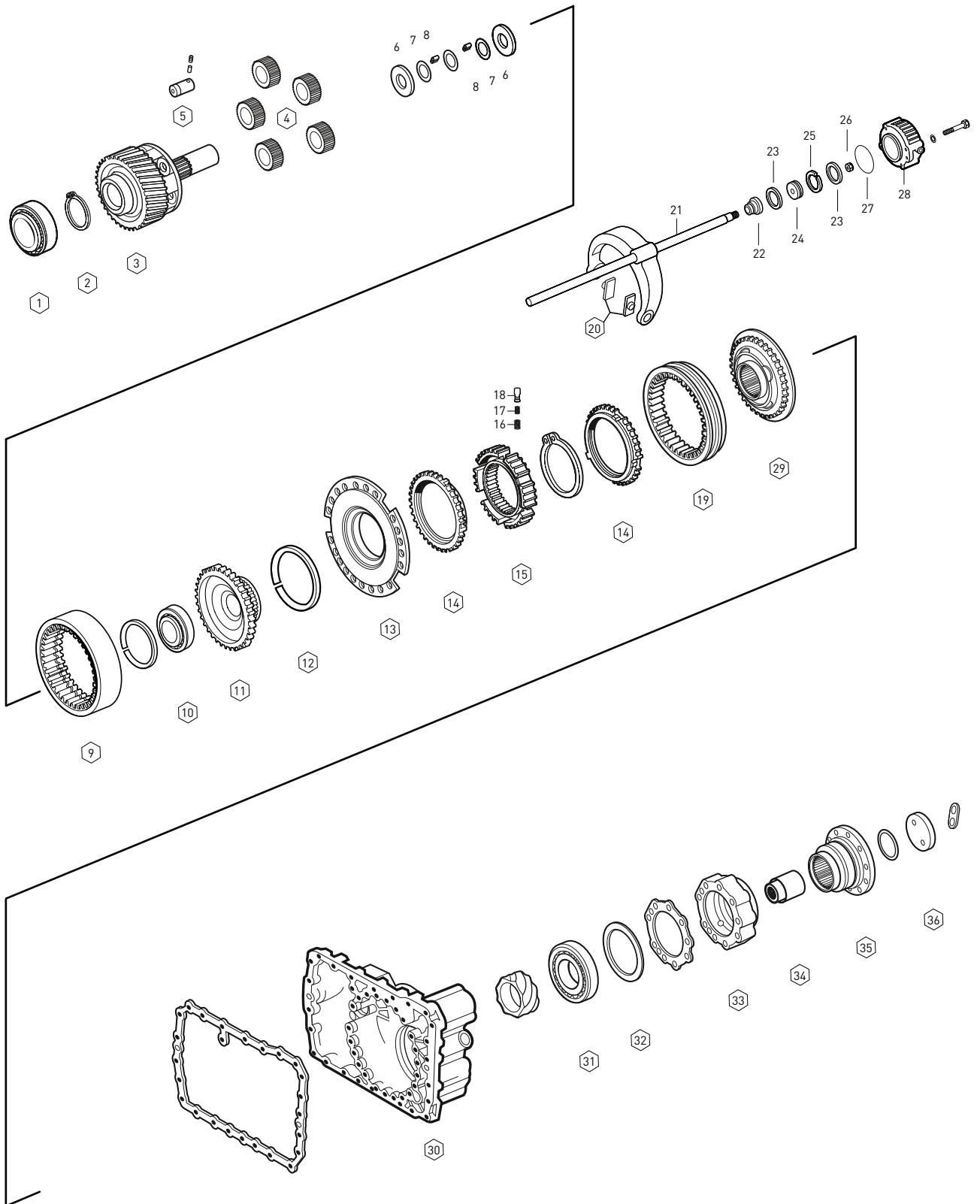
16 S 220 / A

NOTES :

ABCD alphabetic letters are used in conjunction with the encoded parts.

NOTLAR :

ABCD alfabetik harfler ile kodlananparçalar birlikte kullanılır.

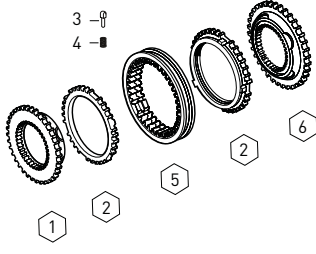


| Fig. | Kacmaz No. | Oem No | Oem Old No | Pcs. | Ürün Tanımı | Description | Sizes | Notes |
|------|------------|--------------|----------------|------|-------------------------------|--------------------|------------------|-------|
| 1 | K20.01137 | 0735 410 110 | | 1 | ŞANZ.HEYKEL BİLYASI | ROLLER BEARING | 110X200X38mm | ◆ |
| 2 | K20.01682 | 0630 501 058 | | 1 | ŞANZ.HEYKEL BİLYA SEKMANI | RETAINING RING | 471/110X4mm | ◆ |
| 3 | K20.00633 | 1312 232 025 | (1312 232 017) | 1 | ŞANZIMAN HEYKELİ | PLANETARY CARRIER | | ◆ |
| 4 | K20.00119 | 1312 232 014 | | 5 | HEYKEL KOZA DIŞLİ TAKIMI | PLANETARY GEAR SET | | ◆ |
| 5 | K20.00444 | 1312 332 026 | | 5 | HEYKEL KOZA DIŞLİ PİMİ | PLANET SHAFT | | ◆ |
| 6 | K20.01513 | 0501 308 981 | | 10 | HEYKEL KOZA DIŞLİ PULU | THRUST WASHER | | ◆ |
| 7 | K20.01514 | 0730 107 168 | | 15 | HEYKEL KOZA DIŞLİ PULU | THRUST WASHER | | ◆ |
| 8 | K20.01454 | 0750 119 116 | | 140 | HEYK.KOZA DIŞLİ TANE BİLYA | NEEDLE ROLLER | 10X16.8mm | ◆ |
| 9 | K20.00605 | 1295 332 086 | | 1 | ÇEMBER DIŞLİ 86 DIŞ | RING WHEEL 86 T | | ◆ |
| 10 | K20.01135 | 0635 338 035 | | 1 | PLANET ÇAN DIŞLİ BİLYASI | ROLLER BEARING | 100X125X13mm | ◆ |
| 11 | K20.00620 | 1297 332 120 | | 1 | PLANET ÇAN DIŞLİ 86 DIŞ | CARRIER HUB 86 T | | ◆ |
| 12 | K20.01656 | 0730 505 056 | (0730 505 055) | 1 | ÇEMBER DIŞLİ SEGMANI | SPRING RING | 3.20mm | ◆ |
| 13 | K20.00007 | 1296 233 006 | | 1 | TEPSİ SENKROMENÇ | FLANGE | | ◆ |
| 14 | K20.00038 | 1296 333 045 | (1296 333 022) | 2 | AĞIR SERİ SENK.FRENLEME | SYNCHRONIZING CONE | | ◆ |
| 15 | K20.00148 | 1297 333 115 | | 1 | AĞIR SERİ YILDIZ DIŞLİ | GUIDE SLEEVE | | ◆ |
| 16 | K20.00469 | 0732 040 385 | | 9 | AĞIR SERİ YILDIZ DIŞLİ YAYI | SPRING | | ◆ |
| 17 | K20.00470 | 0732 040 386 | | 9 | AĞIR SERİ YILDIZ DIŞLİ YAYI | SPRING | | ◆ |
| 18 | K20.00471 | 1240 304 278 | | 9 | AĞIR SERİ YILDIZ DIŞLİ FİŞEĞİ | PRESSURE PIECE | | ◆ |
| 19 | K20.00039 | 1296 333 023 | | 1 | AĞIR SERİ SENK.HALKA | ENGAGING SLEEVE | | ◆ |
| 20 | K20.00341 | 1296 334 004 | | 2 | AĞIR SERİ HİLAL PABUCU | SLIDING PAD | | ◆ |
| 21 | | 1297 234 021 | | 1 | AĞIR SERİ HİLALİ | GEAR SHIFT FORK | | ◆ |
| 22 | K20.01016 | 0750 112 034 | | 1 | AĞIR SERİ HİLAL MİL KEÇESİ | FLANGE PACKING | 25.0X38.0X14.2mm | ◆ |
| 23 | K20.01025 | 0750 112 097 | | 2 | AĞIR SERİ HAVA KEÇESİ | SEALING RING | | ◆ |
| 24 | | 1297 334 056 | | 1 | AĞIR SERİ HİLAL MİL PİSTONU | PISTON | | ◆ |
| 25 | K20.01614 | 0750 112 096 | | 1 | AĞIR SERİ HİLAL MİL FİBERİ | GUIDE RING | | ◆ |
| 26 | | 0737 006 095 | | 1 | AĞIR SERİ HİLAL MİL SOMUNU | NUT | M16X1.5mm | ◆ |
| 27 | | 0634 313 520 | | 1 | AĞIR SERİ SİLİNDİR ORİNGİ | O-RING | 96.0X3.0mm | ◆ |
| 28 | K20.01868 | 1297 334 055 | | 1 | AĞIR SERİ SİLİNDİR GÖVDESİ | CYLINDER | | ◆ |
| 29 | K20.00075 | 1297 233 056 | | 1 | SERİ SENKROMENÇ | ENGAGING RING | | ◆ |
| 30 | | 1313 301 008 | | 1 | ŞANZIMAN ARKA GÖVDE | HOUSING | | ◆ |
| 30 | | 1313 301 009 | | 1 | ŞANZIMAN ARKA GÖVDE | HOUSING | | ◆ |
| 31 | K20.01134 | 0750 116 002 | | 1 | ŞANZIMAN ARKA BİLYA | ROLLER BEARING | 90X160X30mm | ◆ |
| 32 | K20.01658 | 0730 100 115 | | 1 | ŞANZ.ARKA BİLYA RAYNELİ | SHIM | 0.30mm | ◆ |
| 32 | K20.01659 | 0730 100 116 | | 1 | ŞANZ.ARKA BİLYA RAYNELİ | SHIM | 0.20mm | ◆ |
| 32 | K20.01660 | 2001660 | | 1 | ŞANZ.ARKA BİLYA RAYNELİ | SHIM | 0.10mm | ◆ |
| 33 | | 1312 301 037 | | 1 | ŞANZ.ARKA BİLYA KAPAĞI | BEARING COVER | | ◆ |
| 34 | | 1312 332 033 | | 1 | ŞANZ.ARKA KAPAK BURCU | BUSHING | | ◆ |
| 35 | K20.00370 | 1297 338 041 | | 2 | ŞANZIMAN FLANŞI | COMPANION FLANGE | 4-H, Ø180mm | ◆ |
| 35 | K20.00371 | 1297 338 010 | | 2 | ŞANZIMAN FLANŞI | COMPANION FLANGE | 10-H, Ø180mm | ◆ |
| 36 | K20.01681 | 1312 332 028 | | 1 | ŞANZIMAN FLANŞ PULU | WASHER | | ◆ |

NOTES :

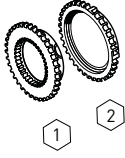
NOTLAR :

SYNCHRONIZER KIT CONST.



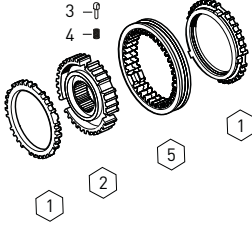
| Fig. | Kacmaz No. | Oem No | Oem Old No | Pcs. | Ürün Tanımı | Description |
|------|------------|--------------|----------------|------|--------------------------|------------------------|
| | K20.00522 | 1297 298 955 | | Kit | TAKVİYE SENKROMENÇ KİT | SYNCHRONIZER KIT Const |
| 1 | K20.00101 | 1312 304 027 | | 1 | TAKVİYE SENKROMENÇ | ENGAGING RING |
| 2 | K20.00108 | 1297 304 484 | (1297 304 402) | 2 | TAKVİYE SENK.FRENLEME | SYNCHRONIZING CONE |
| 3 | K20.00111 | 1297 304 436 | | 3 | PRİZ.YILDIZ DİŞLİ FİŞEĞİ | PRESSURE PIECE |
| 4 | K20.00110 | 0732 040 409 | | 3 | PRİZ.YILDIZ DİŞLİ YAYI | SPRING |
| 5 | K20.00098 | 1310 304 202 | (1312 302 057) | 1 | TAKVİYE SENK.HALKA | ENGAGING SLEEVE |
| 6 | K20.00097 | 1312 304 056 | (1310 304 174) | 1 | TAKVİYE SENKROMENÇ | ENGAGING RING |

SYNCHRONIZER KIT 3rd/4th/CONST.



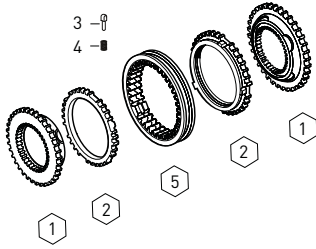
| Fig. | Kacmaz No. | Oem No | Oem Old No | Pcs. | Ürün Tanımı | Description |
|------|------------|--------------|----------------|------|-------------------------|--------------------------|
| | K20.00523 | 1312 204 031 | | Kit | TAK.3./4.VİT.SENK.KİT | SYNCH.KIT 3rd/4th/Const. |
| 1 | K20.00101 | 1312 304 027 | | 1 | TAK.3./4.VİT.SENKROMENÇ | ENGAGING RING |
| 2 | K20.00108 | 1297 304 484 | (1297 304 402) | 1 | TAK.3./4.VİT.FRENLEME | SYNCHRONIZING CONE |

SYNCHRONIZER KIT 3rd/4th



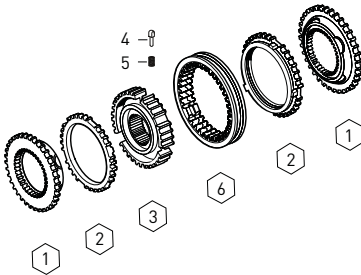
| Fig. | Kacmaz No. | Oem No | Oem Old No | Pcs. | Ürün Tanımı | Description |
|------|------------|--------------|----------------|------|--------------------------|--------------------|
| | K20.00794 | 1316 204 016 | (1316 204 014) | Kit | 3./4.VİT.FRENLEME KİTİ | SYNCH.KIT 3rd/4th |
| 1 | K20.00109 | 1316 304 168 | (1316 304 149) | 2 | 3./4.VİT.SENK.FRENLEME | SYNCHRONIZING CONE |
| 2 | K20.00136 | 1316 304 162 | | 1 | 3./4.VİT.YILDIZ DİŞLİ | GUIDE SLEEVE |
| 3 | K20.00111 | 1297 304 436 | | 3 | PRİZ.YILDIZ DİŞLİ FİŞEĞİ | PRESSURE PIECE |
| 4 | K20.00110 | 0732 040 409 | | 3 | PRİZ.YILDIZ DİŞLİ YAYI | SPRING |
| 5 | K20.00103 | 1316 304 167 | (1315 304 135) | 1 | TAKVİYE SENK.HALKA | ENGAGING SLEEVE |

SYNCHRONIZER KIT 3rd/4th



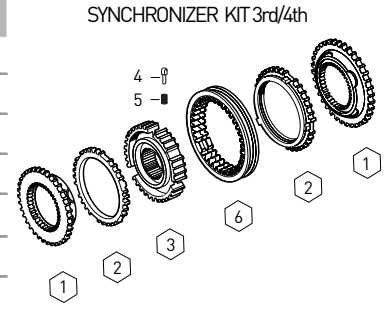
| Fig. | Kacmaz No. | Oem No | Oem Old No | Pcs. | Ürün Tanımı | Description |
|------|------------|--------------|----------------|------|--------------------------|--------------------|
| | K20.00524 | 1315 298 030 | | Kit | 3./4.VİT.SENKROMENÇ KİT | SYNCH.KIT 3rd/4th |
| 1 | K20.00101 | 1312 304 027 | | 2 | 3./4.VİT.SENKROMENÇ | ENGAGING RING |
| 2 | K20.00108 | 1297 304 484 | (1297 304 402) | 2 | 3./4.VİT.SENK.FRENLEME | SYNCHRONIZING CONE |
| 3 | K20.00111 | 1297 304 436 | | 3 | PRİZ.YILDIZ DİŞLİ FİŞEĞİ | PRESSURE PIECE |
| 4 | K20.00110 | 0732 040 409 | | 3 | PRİZ.YILDIZ DİŞLİ YAYI | SPRING |
| 5 | K20.00098 | 1310 304 202 | (1312 302 057) | 1 | 3./4.VİT.SENK.HALKA | ENGAGING SLEEVE |
| | | | (1310 304 174) | | | |

SYNCHRONIZER KIT 3rd/4th

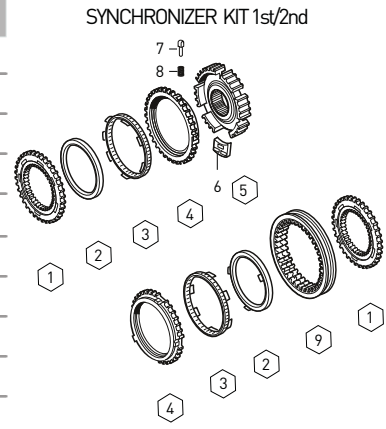


| Fig. | Kacmaz No. | Oem No | Oem Old No | Pcs. | Ürün Tanımı | Description |
|------|------------|--------------|----------------|------|--------------------------|--------------------|
| | K20.00088 | 1315 298 061 | | Kit | 3./4.VİT.SENKROMENÇ KİT | SYNCH.KIT 3rd/4th |
| 1 | K20.00102 | 1316 304 159 | (1316 304 145) | 2 | 3./4.VİT.SENKROMENÇ | ENGAGING RING |
| 2 | K20.00109 | 1316 304 168 | (1316 304 149) | 2 | 3./4.VİT.SENK.FRENLEME | SYNCHRONIZING CONE |
| 3 | K20.00136 | 1316 304 162 | | 1 | 3./4.VİT.YILDIZ DİŞLİ | GUIDE SLEEVE |
| 4 | K20.00111 | 1297 304 436 | | 3 | PRİZ.YILDIZ DİŞLİ FİŞEĞİ | PRESSURE PIECE |
| 5 | K20.00110 | 0732 040 409 | | 3 | PRİZ.YILDIZ DİŞLİ YAYI | SPRING |
| 6 | K20.00103 | 1316 304 167 | (1315 304 135) | 1 | 3./4.VİT.SENK.HALKA | ENGAGING SLEEVE |

| Fig. | Kacmaz No. | Oem No | Oem Old No | Pcs. | Ürün Tanımı | Description |
|------|------------|--------------|----------------|------|------------------------------|-------------------|
| | K20.00087 | 1315 298 060 | [1316 204 017] | Kit | 1./2.VİT.SENKROMENÇ KİT | SYNCH.KIT 1st/2nd |
| 1 | K20.00183 | 1316 304 156 | | 2 | 1./2.VİT.SENKROMENÇ | ENGAGING RING |
| 2 | K20.00113 | 1316 304 170 | [1316 304 150] | 2 | 1./2.VİT.FRENLEME | SYNCH.CONE |
| 3 | K20.00180 | 1316 304 163 | | 1 | 1./2.VİT.YILDIZ DİŞLİ | GUIDE SLEEVE |
| 4 | K20.00111 | 1297 304 436 | | 3 | 1./2.VİT.YILDIZ DİŞLİ FİŞEĞİ | PRESSURE PIECE |
| 5 | K20.00110 | 0732 040 409 | | 3 | 1./2.VİT.YILDIZ DİŞLİ YAYI | SPRING |
| 6 | K20.00114 | 1316 304 169 | [1315 304 136] | 1 | 1./2.VİT.SENK.HALKA | ENGAGING SLEEVE |

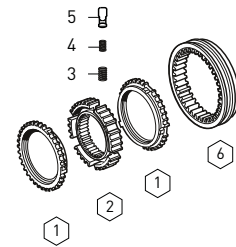


| Fig. | Kacmaz No. | Oem No | Oem Old No | Pcs. | Ürün Tanımı | Description |
|------|------------|--------------|----------------|------|-----------------------------|--------------------|
| | K20.00482 | 1315 204 006 | [1312 298 911] | Kit | 1./2.VİT.SENKROMENÇ KİT | SYNCH.KIT 1st/2nd |
| 1 | K20.00143 | 1312 304 106 | | 2 | 1./ 2.VİT.SENKROMENÇ | ENGAGING RING |
| 2 | K20.00144 | 1268 304 424 | | 2 | 1./ 2.VİT.SENK.FRENLEME | SYNCHRONIZING CONE |
| 3 | K20.00302 | 1268 304 494 | [1268 304 491] | 2 | 1./ 2.VİT.SENK.FRENLEME | INTERMEDIATE CONE |
| 4 | K20.00145 | 1268 304 525 | | 2 | 1./ 2.VİT.SENK.FRENLEME | SYNCHRONIZING CONE |
| 5 | K20.00146 | 1312 304 158 | | 1 | 1./ 2.VİT.YILDIZ DİŞLİ | GUIDE SLEEVE |
| 6 | K20.00209 | 1312 304 159 | | 3 | 1./ 2.VİT.YIL.DİŞLİ BAKLASI | SLIDING BLOCK |
| 7 | K20.00111 | 1297 304 436 | | 3 | PRİZ.veYILDIZ DİŞLİ FİŞEĞİ | PRESSURE PIECE |
| 8 | K20.00110 | 0732 040 409 | | 3 | PRİZ.ve YILDIZ DİŞLİ YAYI | SPRING |
| 9 | K20.00147 | 1310 304 175 | [1312 304 157] | 1 | 1./ 2.VİT.SENK.HALKA | ENGAGING SLEEVE |



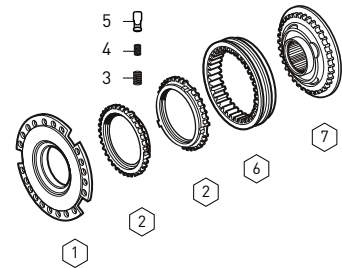
| Fig. | Kacmaz No. | Oem No | Oem Old No | Pcs. | Ürün Tanımı | Description |
|------|------------|--------------|----------------|------|-----------------------------|--------------------|
| | K20.00538 | 1316 233 017 | | Kit | AĞIR SERİ SENK.KİT | SYNCHRONIZER KIT |
| 1 | K20.00038 | 1296 333 045 | [1296 333 022] | 2 | AĞIR SERİ FRENLEME | SYNCHRONIZING CONE |
| 2 | K20.00148 | 1297 333 115 | | 1 | AĞIR SERİ YILDIZ DİŞLİ | GUIDE SLEEVE |
| 3 | K20.00469 | 0732 040 385 | | 9 | AĞIR SERİ YILDIZ DİŞLİ YAYI | SPRING |
| 4 | K20.00470 | 0732 040 386 | | 9 | AĞIR SERİ YILDIZ DİŞLİ YAYI | SPRING |
| 5 | K20.00471 | 1240 304 278 | | 9 | AĞIR SERİ YILDIZ DİŞ.FİŞEĞİ | PRESSURE PIECE |
| 6 | K20.00039 | 1296 333 023 | | 1 | AĞIR SERİ SENK.HALKA | ENGAGING SLEEVE |

SYNCHRONIZER KIT PLANETARY



| Fig. | Kacmaz No. | Oem No | Oem Old No | Pcs. | Ürün Tanımı | Description |
|------|------------|--------------|----------------|------|-----------------------------|--------------------|
| | K20.00519 | 1295 298 962 | | Kit | AĞIR SERİ SENK.KİT | SYNCHRONIZER KIT |
| 1 | K20.00007 | 1296 233 006 | | 1 | TEPSİ SENKROMENÇ | FLANGE |
| 2 | K20.00038 | 1296 333 045 | [1296 333 022] | 2 | AĞIR SERİ FRENLEME | SYNCHRONIZING CONE |
| 3 | K20.00469 | 0732 040 385 | | 9 | AĞIR SERİ YILDIZ DİŞLİ YAYI | SPRING |
| 4 | K20.00470 | 0732 040 386 | | 9 | AĞIR SERİ YILDIZ DİŞLİ YAYI | SPRING |
| 5 | K20.00471 | 1240 304 278 | | 9 | AĞIR SERİ YILDIZ DİŞ.FİŞEĞİ | PRESSURE PIECE |
| 6 | K20.00039 | 1296 333 023 | | 1 | AĞIR SERİ SENK.HALKA | ENGAGING SLEEVE |
| 7 | K20.00075 | 1297 233 056 | | 1 | SERİ SENKROMENÇ | ENGAGING RING |

SYNCHRONIZER KIT PLANETARY

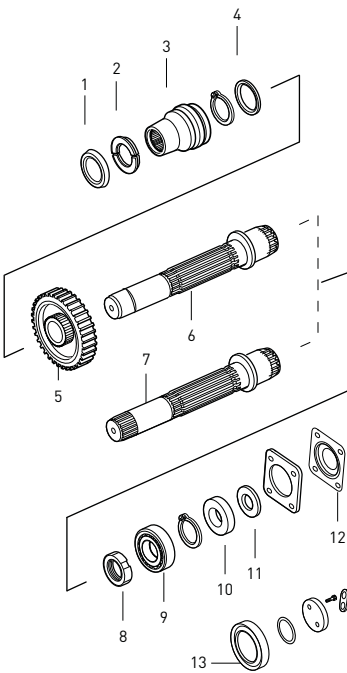


GEARBOX GASKET KIT



| Fig. | Kacmaz No. | Oem No | Oem Old No | Pcs. | Ürün Tanımı | Description |
|------|------------|--------------|------------|------|-----------------------------|-------------|
| 1 | K20.01584 | 1295 298 915 | | Kit | ŞANZİMAN CONTA TAKIMI | GASKET KIT |
| 2 | | 1313 301 038 | | 1 | ŞANZ.ÖN GÖVDE CONTASI | GASKET |
| 3 | | 1313 302 014 | | 1 | PRİZ.KEÇE KAPAK CONTASI | GASKET |
| 4 | | 1313 306 012 | | 1 | ŞANZ.HİLALİ KAPAK CONTASI | GASKET |
| 5 | | 1313 307 002 | | 1 | ŞANZ.ÖN GÖVDE ARKA CONTA | GASKET |
| 5 | | 1313 307 020 | | 2 | ŞANZ.KULE KAPAK CONTASI | GASKET |
| 5 | | 1313 307 003 | | 1 | ŞANZ.KULE KAPAK CONTASI | GASKET |
| 5 | | 1313 307 004 | | 1 | ŞANZ.KULE ALT KAPAK CONTASI | GASKET |
| 5 | | 1313 307 022 | | 1 | ŞANZ.KULE ÜST KAPAK CONTASI | GASKET |
| 6 | | 1313 301 037 | | 1 | ŞANZ.ARKA GÖVDE CONTASI | GASKET |
| 7 | | 1313 301 036 | | 1 | ŞANZ.BİLYA KAPAK CONTASI | GASKET |
| 8 | | 1238 308 201 | | 1 | PTO BAĞLANTI KAPAK CONTASI | GASKET |
| 9 | | 1313 307 005 | | 1 | ŞANZ.İSTİNAT KAPAK CONTASI | GASKET |
| 10 | | 1313 307 006 | | 1 | ŞANZ.İSTİNAT KAPAK CONTASI | GASKET |

P.T.O. (POWERTAKEOFF)



| Fig. | Kacmaz No. | Oem No | Oem Old No | Pcs. | Ürün Tanımı | Description |
|------|------------|--------------|------------|------|-------------------------|-----------------------|
| 1 | | 1296 313 131 | | 1 | P.KİLİT EMNİYET SACI | RETAINING RING |
| 2 | | 0730 104 627 | | 1 | PARÇALI KİLİT | SPLIT RING |
| 3 | | 1296 313 238 | | 1 | PTO MİL KOVANI | SLIDING SLEEVE |
| 4 | | 0730 104 628 | | 1 | PTO DİŞLİ AYAR PULU | THRUST WASHER |
| 5 | | 1296 313 082 | | 1 | PTO DİŞLİ | GEAR 33 T |
| 5 | | 1296 313 083 | | 1 | PTO DİŞLİ | GEAR 36 T |
| 5 | | 1296 313 084 | | 1 | PTO DİŞLİ | GEAR 38 T |
| 5 | | 1296 313 085 | | 1 | PTO DİŞLİ | GEAR 39 T |
| 5 | | 1296 313 086 | | 1 | PTO DİŞLİ | GEAR 46 T |
| 6 | K20.00556 | 1296 213 028 | | 1 | PTO MİLİ DÜZ | INTERM.SHAFT |
| 7 | K20.00555 | 1296 213 028 | | 1 | PTO MİLİ FREZELİ | INTERM.SHAFT (Milled) |
| 8 | | 1296 313 125 | | 1 | PTO MİL SOMUNU | NUT |
| 9 | | 0735 410 139 | | 1 | PTO MİL BİLYASI | ROLLER BEARING |
| 10 | | 7429 032 102 | | 1 | PTO BİLYA KAPAK PULU | THRUST WASHER |
| 11 | | 1232 304 062 | | 1 | PTO BİLYA KAPAK RAYNELİ | SHIM (1.00mm) |
| 11 | | 1232 304 063 | | 1 | PTO BİLYA KAPAK RAYNELİ | SHIM (0.90mm) |
| 11 | | 1232 304 072 | | 1 | PTO BİLYA KAPAK RAYNELİ | SHIM (0.70mm) |
| 12 | | 1250 313 190 | | 1 | PTO BAĞLANTI KAPAĞI | COVER |
| 13 | K20.01013 | 0750 111 341 | | 1 | ŞANZ.ARKA KAPAK KEÇESİ | OIL SEAL |