

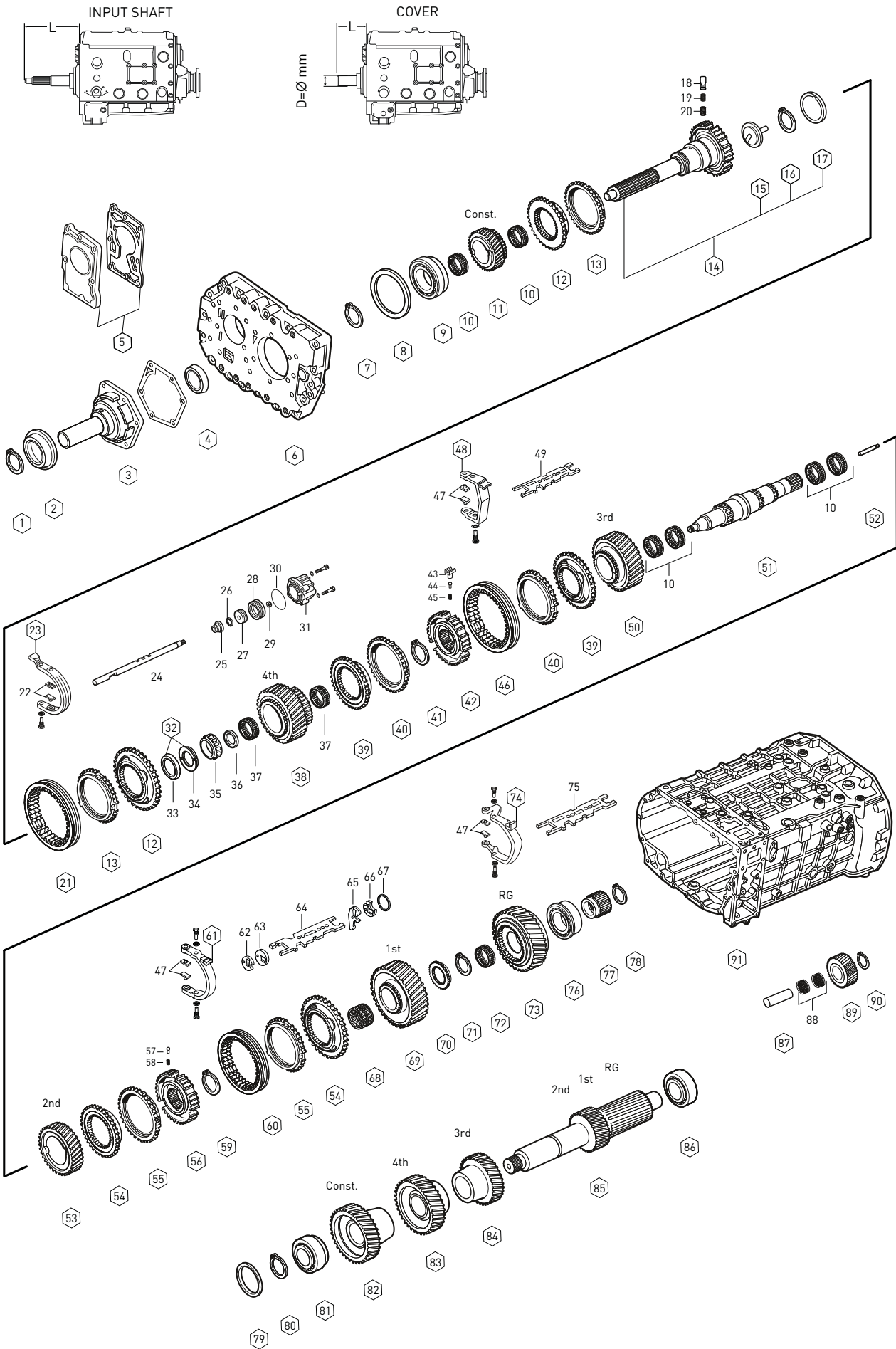
| Fig. | Kacmaz No. | Oem No       | Oem Old No     | Pcs. | Ürün Tanımı                 | Description        | Sizes              | Notes       | DG 13.31-1.00 | DG 13.30-1.00 | SG 13.53-0.82 |
|------|------------|--------------|----------------|------|-----------------------------|--------------------|--------------------|-------------|---------------|---------------|---------------|
| 1    |            | 0630 501 051 |                | 1    | PRİZ.KEÇE KAPAK SEGMANI     | RETANING RING      | 471/82X2.5mm       |             | ◆             | ◆             | ◆             |
| 2    |            | 1304 302 232 |                | 1    | PRİZ.KEÇE KAPAK EMN.SACI    | SEALING CAP        |                    |             | ◆             | ◆             | ◆             |
| 3    | K20.00571  | 1304 302 316 | (1304 302 213) | 1    | PRİZDİREK KEÇE KAPAĞI       | COVER              | L=170 D=57         | (B) (I) (R) | ◆             | ◆             | ◆             |
| 3    | K20.00572  | 1304 302 319 | (1304 302 216) | 1    | PRİZDİREK KEÇE KAPAĞI       | COVER              | L=190 D=57         | (F)         | ◆             | ◆             | ◆             |
| 3    | K20.00573  | 1304 302 444 |                | 1    | PRİZDİREK KEÇE KAPAĞI       | COVER              | L=147 D=57         | (M) (H) (D) | ◆             | ◆             | ◆             |
| 4    | K20.01001  | 0750 111 149 | (0734 310 161) | 1    | PRİZDİREK ÖN KEÇE           | OIL SEAL           | 48X65X10mm         |             | ◆             | ◆             | ◆             |
| 5    | K20.00558  | 0501 004 549 | (1304 203 008) | 1    | ŞANZIMAN YAĞ POMPASI        | OIL PUMP           |                    |             | ◆             | ◆             | ◆             |
| 6    | K20.00574  | 1304 301 331 | (1304 301 413) | 1    | ŞANZIMAN ÖN GÖVDE           | HOUSING            |                    |             | ◆             | ◆             | ◆             |
|      |            |              | (1304 301 198) |      |                             |                    |                    |             | ◆             | ◆             | ◆             |
| 7    |            | 0730 501 360 |                | 1    | PRİZ.ÖN BİLYA SEKMANI       | RETAINING RING     | 4.00mm             |             | ◆             | ◆             | ◆             |
| 7    |            | 0730 501 358 |                | 1    | PRİZ.ÖN BİLYA SEKMANI       | RETAINING RING     | 3.90mm             |             | ◆             | ◆             | ◆             |
| 7    |            | 0730 501 356 |                | 1    | PRİZ.ÖN BİLYA SEKMANI       | RETAINING RING     | 3.80mm             |             | ◆             | ◆             | ◆             |
| 7    |            | 0730 501 354 |                | 1    | PRİZ.ÖN BİLYA SEKMANI       | RETAINING RING     | 3.70mm             |             | ◆             | ◆             | ◆             |
| 8    | K20.01595  | 0730 004 808 |                | 1    | PRİZ.ÖN BİLYA RAYNELİ       | SHIM               | 2.40mm             |             | ◆             | ◆             | ◆             |
| 8    | K20.01596  | 0730 004 805 |                | 1    | PRİZ.ÖN BİLYA RAYNELİ       | SHIM               | 2.25mm             |             | ◆             | ◆             | ◆             |
| 8    | K20.01597  | 0730 004 800 |                | 1    | PRİZ.ÖN BİLYA RAYNELİ       | SHIM               | 2.00mm             |             | ◆             | ◆             | ◆             |
| 8    | K20.01598  | 0730 005 646 |                | 1    | PRİZ.ÖN BİLYA RAYNELİ       | SHIM               | 1.95mm             |             | ◆             | ◆             | ◆             |
| 8    | K20.01599  | 2001599      |                | 1    | PRİZ.ÖN BİLYA RAYNELİ       | SHIM               | 0.30mm             |             | ◆             | ◆             | ◆             |
| 8    | K20.01600  | 2001600      |                | 1    | PRİZ.ÖN BİLYA RAYNELİ       | SHIM               | 0.20mm             |             | ◆             | ◆             | ◆             |
| 8    | K20.01601  | 2001601      |                | 1    | PRİZ.ÖN BİLYA RAYNELİ       | SHIM               | 0.10mm             |             | ◆             | ◆             | ◆             |
| 9    | K20.01101  | 0750 117 079 | (0735 370 233) | 1    | PRİZDİREK ÖN BİLYA          | ROLLER BEARING     | 66.6X117.4X30.1mm  |             | ◆             | ◆             | ◆             |
| 10   | K20.01307  | 0735 320 816 |                | 6    | TAK.-3./2. VİT.MASURA BİLYA | NEEDLE CAGE        | 75X83X23mm         |             | ◆             | ◆             | ◆             |
| 11   | K20.00232  | 1304 302 169 | (1304 302 137) | 1    | TAKVIYE DİŞLİSİ 26 DİŞ      | CONSTANT GEAR 26 T |                    |             | ◆             | ◆             |               |
| 11   | K20.00233  | 1304 302 150 |                | 1    | TAKVIYE DİŞLİSİ 30 DİŞ      | CONSTANT GEAR 30 T |                    |             |               | ◆             |               |
| 12   | K20.00234  | 1304 302 188 | (1304 302 006) | 2    | TAKVIYE SENKROMENÇ          | ENGAGING RING      |                    |             | ◆             | ◆             | ◆             |
| 13   | K20.00259  | 1304 304 680 | (1304 304 496) | 2    | TAKVIYE SENK.FRENLEME       | SYNCHRONIZING CONE |                    |             | ◆             | ◆             | ◆             |
| 14   | K20.00224  | 1304 202 201 | (1304 302 403) | 1    | PRİZDİREK                   | INPUT SHAFT        | L=260 SAE10C 1 3/4 | (M) (H) (D) | ◆             | ◆             | ◆             |
| 14   | K20.00225  | 1304 202 202 | (1304 302 404) | 1    | PRİZDİREK                   | INPUT SHAFT        | L=286 SAE10C 1 3/4 | (B) (I)     | ◆             | ◆             | ◆             |
| 14   | K20.00226  | 1304 202 203 | (1304 302 405) | 1    | PRİZDİREK                   | INPUT SHAFT        | L=310 SAE10C 1 3/4 | (F)         | ◆             | ◆             | ◆             |
| 14   | K20.00330  | 1304 202 255 | (1304 302 494) | 1    | PRİZDİREK                   | INPUT SHAFT        | L=305 SAE10C 1 3/4 | (F)         | ◆             | ◆             | ◆             |
| 15   | K20.01501  | 1304 302 440 |                | 1    | PRİZDİREK YAĞ PİPETİ        | OIL PIPET          |                    |             | ◆             | ◆             | ◆             |
| 16   | K20.01502  | 0630 502 063 |                | 1    | PRİZDİREK SEKMANI           | RETANING RING      | 472/58X2mm         |             | ◆             | ◆             | ◆             |
| 17   | K20.01010  | 0501 311 146 |                | 1    | PRİZDİREK ARKA KEÇE         | OIL SEAL           |                    |             | ◆             | ◆             | ◆             |
| 18   | K20.00471  | 1240 304 278 |                | 3    | PRİZDİREK FİŞEĞİ            | PRESSURE PIECE     |                    |             | ◆             | ◆             | ◆             |
| 19   | K20.00470  | 0732 040 386 |                | 3    | PRİZDİREK YAYI              | SPRING             |                    |             | ◆             | ◆             | ◆             |
| 20   | K20.00469  | 0732 040 385 |                | 3    | PRİZDİREK YAYI              | SPRING             |                    |             | ◆             | ◆             | ◆             |
| 21   | K20.00244  | 1240 304 272 | (1240 304 205) | 1    | TAKVIYE SENK.HALKA          | ENGAGING SLEEVE    |                    |             | ◆             | ◆             | ◆             |
| 22   |            | 1268 312 057 |                | 2    | TAKVIYE HİHAL PABUCU        | SLIDING PAD        |                    |             | ◆             | ◆             | ◆             |
| 23   |            | 1304 312 003 |                | 1    | TAKVIYE HİHALİ              | G.SHIFT FORK       |                    |             | ◆             | ◆             | ◆             |
| 24   |            | 1304 312 005 |                | 1    | TAKVIYE HİHAL MİLİ          | G.SHIFT RAIL       |                    |             | ◆             | ◆             | ◆             |
| 25   | K20.01017  | 0750 112 047 |                | 1    | TAKVIYE HİHAL MİL KEÇESİ    | FLANGE PACKING     | 22.0X36.0X14.5mm   |             | ◆             | ◆             | ◆             |

**NOTES :**

ABCD alphabetic letters are used in conjunction with the encoded parts.  
Alphabetical Coding has been done according to Input Shaft

**NOTLAR :**

ABCD alfabetik harfler ile kodlanan parçalar birlikte kullanılır.  
Alfabetik kodlamalar prizdireklere göre yapılmıştır.



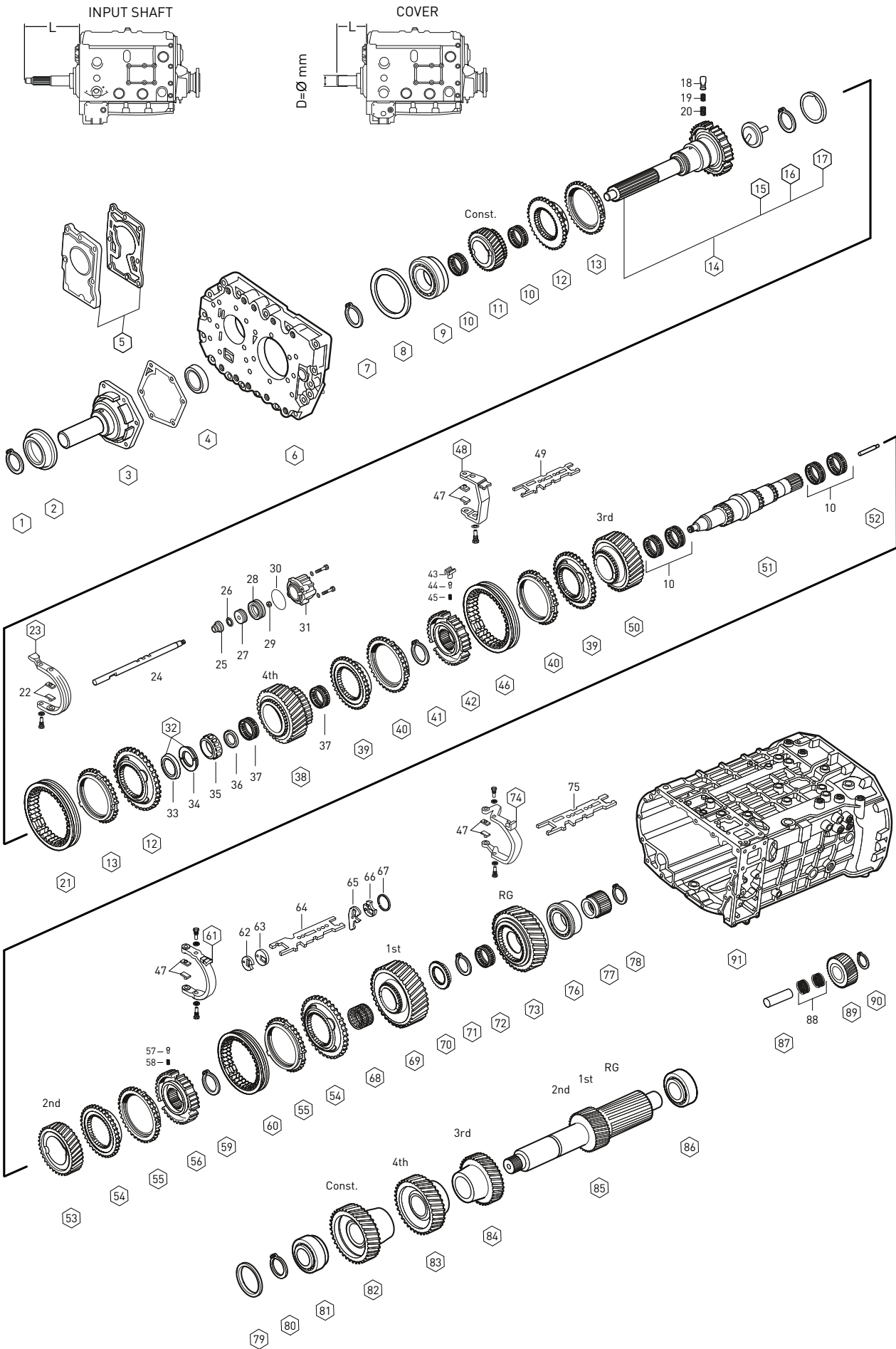
| Fig. | Kacmaz No. | Oem No       | Oem Old No     | Pcs. | Ürün Tanımı                  | Description        | Sizes            | Notes | DG 13.30-1.00 | D6 13.31-1.00 | SG 13.53-0.82 |
|------|------------|--------------|----------------|------|------------------------------|--------------------|------------------|-------|---------------|---------------|---------------|
| 26   | K20.01627  | 0730 107 545 |                | 1    | TAK.HİHAL MİL KEÇE PULU      | WASHER             | 2.70mm           |       | ◆             | ◆             | ◆             |
| 26   | K20.01628  | 0730 107 544 |                | 1    | TAK.HİHAL MİL KEÇE PULU      | WASHER             | 2.40mm           |       | ◆             | ◆             | ◆             |
| 26   | K20.01629  | 0730 107 543 |                | 1    | TAK.HİHAL MİL KEÇE PULU      | WASHER             | 2.10mm           |       | ◆             | ◆             | ◆             |
| 26   | K20.01630  | 0730 107 542 |                | 1    | TAK.HİHAL MİL KEÇE PULU      | WASHER             | 1.80mm           |       | ◆             | ◆             | ◆             |
| 26   | K20.01631  | 0730 107 541 |                | 1    | TAK.HİHAL MİL KEÇE PULU      | WASHER             | 1.50mm           |       | ◆             | ◆             | ◆             |
| 27   |            | 1296 312 053 | (1296 312 047) | 1    | TAKVİYE HİHAL MİL PİSTONU    | PISTON             |                  |       | ◆             | ◆             | ◆             |
| 28   | K20.01021  | 0750 112 089 |                | 1    | TAKVİYE HAVA KEÇESİ          | DOUBLE PACKING     | 53.0X63.0X16.2mm |       | ◆             | ◆             | ◆             |
| 29   | K20.01774  | 0737 006 095 |                | 1    | TAKVİYE HİHAL MİL SOMUNU     | NUT                | M16X1.5mm        |       | ◆             | ◆             | ◆             |
| 30   |            | 0634 313 216 |                | 1    | TAKVİYE SİLİNDİR ORİNGİ      | O-RING             | 82.0X2.5mm       |       | ◆             | ◆             | ◆             |
| 31   |            | 1304 334 038 |                | 1    | TAKVİYE SİLİNDİR GÖVDESİ     | CYLINDER           |                  |       | ◆             | ◆             | ◆             |
| 32   | K20.01534  | 1499 298 159 |                | 1    | EMN.SACI VE K.MİL KİLİT TK.  | SPLIT RING KIT     | 4.00mm           |       | ◆             | ◆             | ◆             |
| 32   | K20.01536  | 1499 298 158 |                | 1    | EMN.SACI VE K.MİL KİLİT TK.  | SPLIT RING KIT     | 3.90mm           |       | ◆             | ◆             | ◆             |
| 32   | K20.01538  | 1499 298 157 |                | 1    | EMN.SACI VE K.MİL KİLİT TK.  | SPLIT RING KIT     | 3.80mm           |       | ◆             | ◆             | ◆             |
| 32   | K20.01587  | 1499 298 156 |                | 1    | EMN.SACI VE K.MİL KİLİT TK.  | SPLIT RING KIT     | 3.70mm           |       | ◆             | ◆             | ◆             |
| 32   | K20.01632  | 1499 298 154 |                | 1    | EMN.SACI VE K.MİL KİLİT TK.  | SPLIT RING KIT     | 3.60mm           |       | ◆             | ◆             | ◆             |
| 32   | K20.01634  | 1499 298 152 |                | 1    | EMN.SACI VE K.MİL KİLİT TK.  | SPLIT RING KIT     | 3.50mm           |       | ◆             | ◆             | ◆             |
| 32   | K20.01636  | 1499 298 150 |                | 1    | EMN.SACI VE K.MİL KİLİT TK.  | SPLIT RING KIT     | 3.40mm           |       | ◆             | ◆             | ◆             |
| 33   | K20.01540  | 0730 063 154 |                | 1    | KAMALI MİL EMNİYET SACI      | RETAINING RING     |                  |       | ◆             | ◆             | ◆             |
| 34   | K20.01535  | 6085 201 057 |                | 2    | PARÇALI KİLİT                | SPLIT RING         | 4.00mm           |       | ◆             | ◆             | ◆             |
| 34   | K20.01537  | 6085 201 056 |                | 2    | PARÇALI KİLİT                | SPLIT RING         | 3.90mm           |       | ◆             | ◆             | ◆             |
| 34   | K20.01539  | 6085 201 055 |                | 2    | PARÇALI KİLİT                | SPLIT RING         | 3.80mm           |       | ◆             | ◆             | ◆             |
| 34   | K20.01586  | 6085 201 054 |                | 2    | PARÇALI KİLİT                | SPLIT RING         | 3.70mm           |       | ◆             | ◆             | ◆             |
| 34   | K20.01633  | 6085 201 052 |                | 2    | PARÇALI KİLİT                | SPLIT RING         | 3.60mm           |       | ◆             | ◆             | ◆             |
| 34   | K20.01635  | 6085 201 050 |                | 2    | PARÇALI KİLİT                | SPLIT RING         | 3.50mm           |       | ◆             | ◆             | ◆             |
| 34   | K20.01637  | 6085 201 048 |                | 2    | PARÇALI KİLİT                | SPLIT RING         | 3.40mm           |       | ◆             | ◆             | ◆             |
| 35   | K20.01106  | 0735 371 406 |                | 1    | KAMALI MİL UÇ BİLYA          | ROLLER BEARING     | 32X33mm          |       | ◆             | ◆             | ◆             |
| 36   | K20.01517  | 0501 314 139 |                | 1    | KAMALI MİL UÇ BİL.PULU       | THRUST WASHER      |                  |       | ◆             | ◆             | ◆             |
| 37   | K20.01301  | 0750 115 299 |                | 2    | 4.VİTES DİŞ.MAS.BİLYA        | NEEDLE CAGE        | 59.5X81.5X22mm   |       | ◆             | ◆             | ◆             |
| 38   | K20.00245  | 1304 304 516 |                | 1    | 4.VİTES DİŞLİSİ 27 DİŞ       | GEAR 4th 27 T      |                  |       | ◆             | ◆             |               |
| 38   | K20.00246  | 1304 304 518 |                | 1    | 4.VİTES DİŞLİSİ 27 DİŞ       | GEAR 4th 27 T      |                  |       |               | ◆             |               |
| 39   | K20.00247  | 1304 304 012 |                | 2    | 3./ 4.VİT.SENKROMENÇ         | ENGAGING RING      |                  |       | ◆             | ◆             | ◆             |
| 40   | K20.00260  | 1304 304 683 | (1304 304 014) | 2    | 3./ 4.VİT.SENK.FRENLEME      | SYNCHRONIZING CONE |                  |       | ◆             | ◆             | ◆             |
| 41   |            | 0730 501 239 |                | 1    | 3./ 4.VİT.YILDIZ DİŞLİ SEKM. | RETAINING RING     | 65X2,70mm        |       | ◆             | ◆             | ◆             |
| 41   |            | 0750 501 237 |                | 1    | 3./ 4.VİT.YILDIZ DİŞLİ SEKM. | RETAINING RING     | 65X2,60mm        |       | ◆             | ◆             | ◆             |
| 41   |            | 0630 501 044 |                | 1    | 3./ 4.VİT.YILDIZ DİŞLİ SEKM. | RETAINING RING     | 65X2,50mm        |       | ◆             | ◆             | ◆             |
| 41   |            | 0730 501 233 |                | 1    | 3./ 4.VİT.YILDIZ DİŞLİ SEKM. | RETAINING RING     | 65X2,40mm        |       | ◆             | ◆             | ◆             |
| 41   |            | 0730 501 577 |                | 1    | 3./ 4.VİT.YILDIZ DİŞLİ SEKM. | RETAINING RING     | 65X2,30mm        |       | ◆             | ◆             | ◆             |
| 41   |            | 0630 501 154 |                | 1    | 3./ 4.VİT.YILDIZ DİŞLİ SEKM. | RETAINING RING     | 65X2,20mm        |       | ◆             | ◆             | ◆             |
| 41   |            | 0630 501 155 |                | 1    | 3./ 4.VİT.YILDIZ DİŞLİ SEKM. | RETAINING RING     | 65X2,10mm        |       | ◆             | ◆             | ◆             |
| 41   |            | 0630 531 079 |                | 1    | 3./ 4.VİT.YILDIZ DİŞLİ SEKM. | RETAINING RING     | 65X2,00mm        |       | ◆             | ◆             | ◆             |
| 42   | K20.00252  | 1304 304 515 |                | 1    | 3./4.VİTES YILDIZ DİŞLİ      | GUIDE SLEEVE       |                  |       | ◆             | ◆             | ◆             |

**NOTES :**

ABCD alfabetik harfler ile kodlanan parçalar birlikte kullanılır.  
Alphabetical Coding has been done according to Input Shaft

**NOTLAR :**

ABCD alfabetik harfler ile kodlanan parçalar birlikte kullanılır.  
Alfabetik kodlamalar prizdireklere göre yapılmıştır.



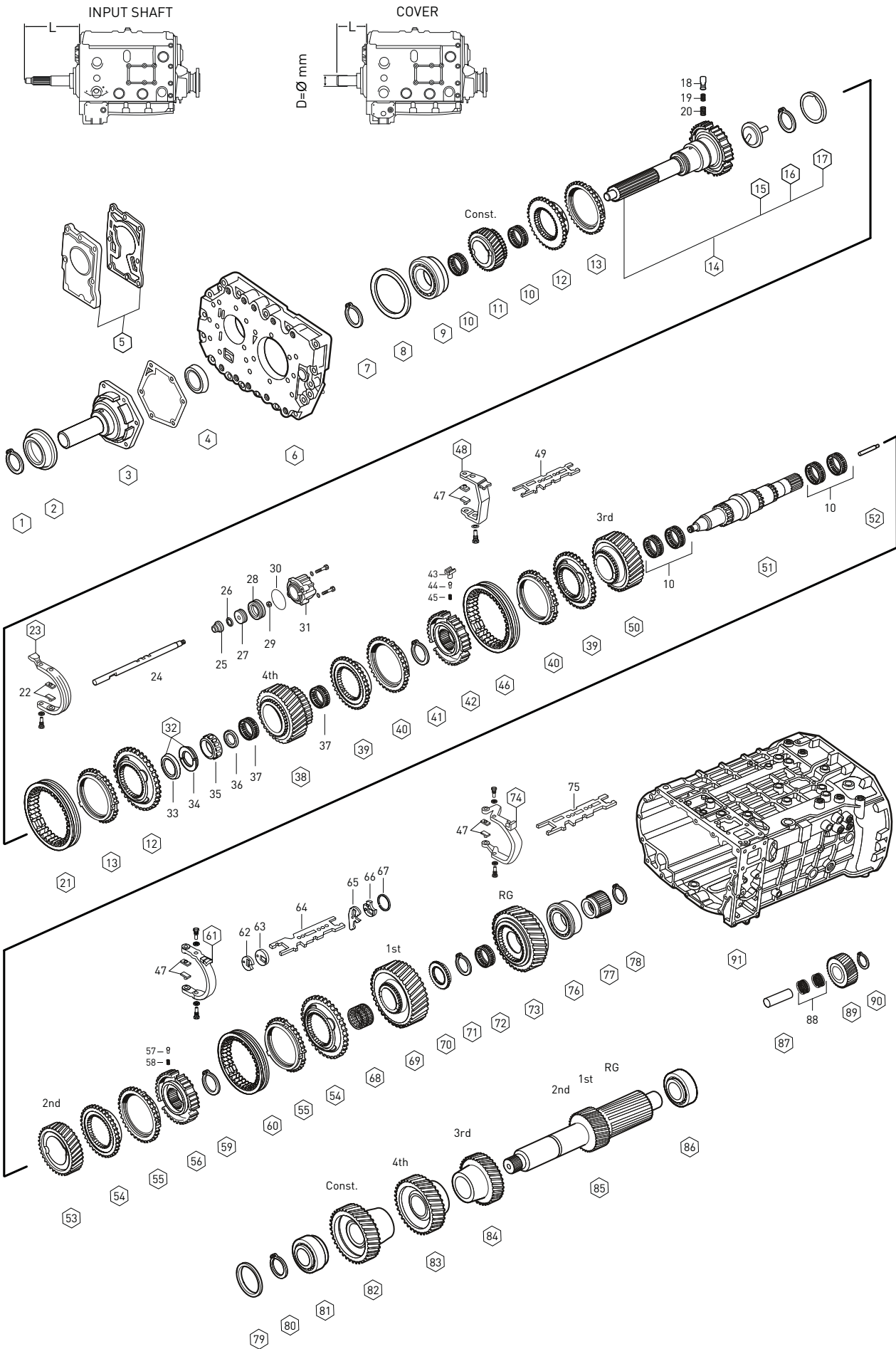
| Fig. | Kacmaz No. | Oem No       | Oem Old No     | Pcs. | Ürün Tanımı                    | Description             | Sizes      | Notes | DC 13.30-1.00 | DC 13.31-1.00 | SG 13.53-0.82 |
|------|------------|--------------|----------------|------|--------------------------------|-------------------------|------------|-------|---------------|---------------|---------------|
| 43   | K20.00468  | 1238 304 394 |                | 3    | 3./ 4.VİT.YILDIZ DİŞ.FİŞEĞİ    | PRESSURE PIECE          |            |       | ◆             | ◆             | ◆             |
| 44   | K20.00467  | 1249 304 222 |                | 3    | 3./ 4..VİT.YILDIZ DİŞ.PİMİ     | PIN                     |            |       | ◆             | ◆             | ◆             |
| 45   | K20.00110  | 0732 040 409 |                | 3    | 3./ 4..VİT.YILDIZ DİŞ.YAYI     | SPRING                  |            |       | ◆             | ◆             | ◆             |
| 46   | K20.00253  | 1304 304 688 | (6002 305 511) | 1    | 3./ 4.VİT.SENK.HALKA           | ENGAGING SLEEVE         |            |       | ◆             | ◆             | ◆             |
| 47   | K20.00169  | 1290 306 066 |                | 6    | 1./2./3./4./R VİT.HİLAL PABUCU | SLIDING PAD             |            |       | ◆             | ◆             | ◆             |
| 48   |            | 1304 306 010 |                | 1    | 3./4.VİTES HİLALİ              | GEAR SHIT FORK 3rd/4th  |            |       | ◆             | ◆             | ◆             |
| 49   |            | 1304 306 054 |                | 1    | 3./4.VİTES HİLAL ÇITASI        | GEAR SHIFT RAIL 3rd/4th |            |       | ◆             | ◆             | ◆             |
| 50   | K20.00248  | 1304 304 475 |                | 1    | 3.VİTES DİŞLİSİ 29 DİŞ         | GEAR 3rd 29 T           |            |       | ◆             | ◆             |               |
| 50   | K20.00249  | 1304 304 417 |                | 1    | 3.VİTES DİŞLİSİ 32 DİŞ         | GEAR 3rd 32 T           |            |       |               |               | ◆             |
| 51   | K20.00331  | 1304 304 630 |                | 1    | KAMALI MİL                     | MAIN SHAFT              |            |       | ◆             | ◆             | ◆             |
| 52   | K20.01506  | 1312 304 150 |                | 1    | KAMALI MİL YAĞ BORUSU          | OIL PIPE                |            |       | ◆             | ◆             | ◆             |
| 53   | K20.00250  | 1304 304 497 | (1304 304 420) | 1    | 2.VİTES DİŞLİSİ 32 DİŞ         | GEAR 2nd 32 T           |            |       | ◆             | ◆             |               |
| 53   | K20.00251  | 1304 304 422 |                | 1    | 2.VİTES DİŞLİSİ 37 DİŞ         | GEAR 2nd 37 T           |            |       |               |               | ◆             |
| 54   | K20.00261  | 1304 304 408 |                | 2    | 1./ 2.VİT.SENKROMENÇ           | ENGAGING RING           |            |       | ◆             | ◆             | ◆             |
| 55   | K20.00262  | 1304 304 681 | (1304 304 542) | 2    | 1./ 2.VİT.SENK.FRENLEME        | SYNCHRONIZING CONE      |            |       | ◆             | ◆             | ◆             |
| 56   | K20.00254  | 1304 304 653 | (1304 304 697) | 1    | 1./ 2.VİT.YILDIZ DİŞLİ         | GUIDE SLEEVE            |            |       | ◆             | ◆             | ◆             |
| 57   | K20.00111  | 1297 304 436 |                | 3    | 1./ 2.VİT.YILDIZ DİŞ.FİŞEĞİ    | PRESSURE PIECE          |            |       | ◆             | ◆             | ◆             |
| 58   | K20.00110  | 0732 040 409 |                | 3    | 1./ 2.VİT.YILDIZ DİŞ.YAYI      | SPRING                  |            |       | ◆             | ◆             | ◆             |
| 59   |            | 0630 501 071 |                | 1    | 1./ 2.VİT.YILDIZ DİŞLİ SEKM.   | RETAINING RING          | 70X2.70mm  |       | ◆             | ◆             | ◆             |
| 59   |            | 0630 501 072 |                | 1    | 1./ 2.VİT.YILDIZ DİŞLİ SEKM.   | RETAINING RING          | 70X2.60mm  |       | ◆             | ◆             | ◆             |
| 59   |            | 0630 501 046 |                | 1    | 1./ 2.VİT.YILDIZ DİŞLİ SEKM.   | RETAINING RING          | 70X2.50mm  |       | ◆             | ◆             | ◆             |
| 60   | K20.00255  | 1304 304 597 | (1304 304 541) | 1    | 1./ 2.VİT.SENK.HALKA           | ENGAGING SLEEVE         |            |       | ◆             | ◆             | ◆             |
|      |            |              | (1324 304 053) |      |                                |                         |            |       |               |               |               |
| 61   |            | 1304 306 009 |                | 1    | 1./2.VİTES HİLALİ              | GEAR SHIFT FORK 1st/2nd |            |       | ◆             | ◆             | ◆             |
| 62   |            | 1304 306 022 |                | 1    | VİTES HİLAL ÇITA KİTLEMESİ     | LEVER                   |            |       | ◆             | ◆             | ◆             |
| 63   |            | 1304 306 089 |                | 1    | VİTES HİLAL ÇITA KİTLEMESİ     | LEVER                   |            |       | ◆             | ◆             | ◆             |
| 64   |            | 1304 306 055 |                | 1    | 1./2.VİTES HİLAL ÇITASI        | GEAR SHIFT RAIL 1st/2nd |            |       | ◆             | ◆             | ◆             |
| 65   |            | 1304 306 140 |                | 1    | VİTES HİLAL ÇITA KİTLEMESİ     | LEVER                   |            |       | ◆             | ◆             | ◆             |
| 66   |            | 1304 306 090 |                | 1    | VİTES HİLAL ÇITA KİTLEMESİ     | LEVER                   |            |       | ◆             | ◆             | ◆             |
| 67   |            | 0730 300 430 | (0730 009 856) | 1    | VİTES HİLAL ÇITA SEKMANI       | RETAINING RING          |            |       | ◆             | ◆             | ◆             |
| 68   | K20.01310  | 0750 115 224 |                | 1    | 1.VİTES MASURA BİLYA           | NEEDLE CAGE             | 70X78X50mm |       | ◆             | ◆             | ◆             |
| 69   | K20.00333  | 1304 304 549 |                | 1    | 1.VİTES DİŞLİSİ 37 DİŞ         | GEAR 1st 37 T           |            |       | ◆             |               |               |
| 69   | K20.00332  | 1304 304 358 |                | 1    | 1.VİTES DİŞLİSİ 37 DİŞ         | GEAR 1st 37 T           |            |       |               | ◆             |               |
| 69   | K20.00334  | 1304 304 376 |                | 1    | 1.VİTES DİŞLİSİ 38 DİŞ         | GEAR 1st 38 T           |            |       |               |               | ◆             |
| 70   | K20.00263  | 1304 304 007 |                | 1    | GERİ VİTES YILDIZ DİŞLİ        | HUB                     |            |       | ◆             | ◆             | ◆             |
| 71   |            | 0630 501 195 |                | 1    | GERİ VİTES YILDIZ DİŞLİ SEK.   | RETAINING RING          | 60X2.80mm  |       | ◆             | ◆             | ◆             |
| 71   |            | 0630 501 194 |                | 1    | GERİ VİTES YILDIZ DİŞLİ SEK.   | RETAINING RING          | 60X2.70mm  |       | ◆             | ◆             | ◆             |
| 71   |            | 0630 501 197 |                | 1    | GERİ VİTES YILDIZ DİŞLİ SEK.   | RETAINING RING          | 60X2.60mm  |       | ◆             | ◆             | ◆             |
| 71   |            | 0630 531 141 |                | 1    | GERİ VİTES YILDIZ DİŞLİ SEK.   | RETAINING RING          | 60X2.50mm  |       | ◆             | ◆             | ◆             |
| 71   |            | 0630 501 067 |                | 1    | GERİ VİTES YILDIZ DİŞLİ SEK.   | RETAINING RING          | 60x2.40mm  |       | ◆             | ◆             | ◆             |
| 72   | K20.01309  | 0750 115 225 |                | 1    | GERİ VİTES MASURA BİLYA        | NEEDLE CAGE             | 60X68X39mm |       | ◆             | ◆             | ◆             |

**NOTES :**

ABCD alfabetic letters are used in conjunction with the encoded parts.  
Alphabetical Coding has been done according to Input Shaft

**NOTLAR :**

ABCD alfabetik harfler ile kodlananparçalar birlikte kullanılır.  
Alfabetik kodlamalar prizdireklere göre yapılmıştır.



| Fig. | Kacmaz No. | Oem No       | Oem Old No     | Pcs. | Ürün Tanımı                  | Description           | Sizes            | Notes | DG 13.30-1.00 | DG 13.31-1.00 | SG 13.53-082 |
|------|------------|--------------|----------------|------|------------------------------|-----------------------|------------------|-------|---------------|---------------|--------------|
| 73   | K20.00336  | 1304 304 671 |                | 1    | GERİ VİTES DİŞLİSİ 35 DİŞ    | REVERSE GEAR 35 T     |                  |       | ◆             |               |              |
| 73   | K20.00335  | 1304 304 669 |                | 1    | GERİ VİTES DİŞLİSİ 32 DİŞ    | REVERSE GEAR 32 T     |                  |       |               | ◆             |              |
| 73   | K20.00337  | 1304 304 670 |                | 1    | GERİ VİTES DİŞLİSİ 35 DİŞ    | REVERSE GEAR 35 T     |                  |       |               |               | ◆            |
| 74   |            | 1304 306 011 |                | 1    | GERİ VİTES HİLALİ            | GEAR SHIFT FORK RG    |                  |       | ◆             | ◆             | ◆            |
| 75   |            | 1304 306 054 |                | 1    | GERİ VİTES HİLAL ÇITASI      | GEAR SHIFT RAIL RG    |                  |       | ◆             | ◆             | ◆            |
| 76   | K20.01113  | 0735 371 605 |                | 1    | KAMALI MİL ARKA BİLYA        | ROLLER BEARING        |                  |       | ◆             | ◆             | ◆            |
| 77   | K20.00257  | 1304 304 608 |                | 1    | GÜNEŞ DİŞLİ 30 DİŞ           | SUN GEAR 30 T         |                  |       | ◆             | ◆             |              |
| 77   | K20.00258  | 1304 304 199 |                | 1    | GÜNEŞ DİŞLİ 21 DİŞ           | SUN GEAR 21 T         |                  |       |               |               | ◆            |
| 77   | K20.00256  | 1304 304 261 |                | 1    | GÜNEŞ DİŞLİ 29 DİŞ           | SUN GEAR 29 T         |                  |       | ◆             | ◆             |              |
| 78   |            | 0730 501 295 |                | 1    | GÜNEŞ DİŞLİ SEKMANI          | RETAINING RING        | 45X2.80mm        |       | ◆             | ◆             | ◆            |
| 78   |            | 0730 501 297 |                | 1    | GÜNEŞ DİŞLİ SEKMANI          | RETAINING RING        | 45X2.90mm        |       | ◆             | ◆             | ◆            |
| 78   |            | 0630 531 058 |                | 1    | GÜNEŞ DİŞLİ SEKMANI          | RETAINING RING        | 45X3.00mm        |       | ◆             | ◆             | ◆            |
| 78   |            | 0730 501 495 |                | 1    | GÜNEŞ DİŞLİ SEKMANI          | RETAINING RING        | 45X3.10mm        |       | ◆             | ◆             | ◆            |
| 78   |            | 0730 501 496 |                | 1    | GÜNEŞ DİŞLİ SEKMANI          | RETAINING RING        | 45X3.20mm        |       | ◆             | ◆             | ◆            |
| 79   | K20.01602  | 0730 004 796 |                | 1    | GRUP MİLİ BİLYA RAYNELİ      | SHIM                  | 2.90mm           |       | ◆             | ◆             | ◆            |
| 79   | K20.01603  | 0730 004 793 |                | 1    | GRUP MİLİ BİLYA RAYNELİ      | SHIM                  | 2.75mm           |       | ◆             | ◆             | ◆            |
| 79   | K20.01604  | 0730 004 790 |                | 1    | GRUP MİLİ BİLYA RAYNELİ      | SHIM                  | 2.60mm           |       | ◆             | ◆             | ◆            |
| 79   | K20.01605  | 0730 003 414 |                | 1    | GRUP MİLİ BİLYA RAYNELİ      | SHIM                  | 2.05mm           |       | ◆             | ◆             | ◆            |
| 79   | K20.01606  | 0730 001 799 |                | 1    | GRUP MİLİ BİLYA RAYNELİ      | SHIM                  | 2.00mm           |       | ◆             | ◆             | ◆            |
| 79   | K20.01607  | 0730 004 786 |                | 1    | GRUP MİLİ BİLYA RAYNELİ      | SHIM                  | 1.95mm           |       | ◆             | ◆             | ◆            |
| 79   | K20.01608  | 0730 004 785 |                | 1    | GRUP MİLİ BİLYA RAYNELİ      | SHIM                  | 1.90mm           |       | ◆             | ◆             | ◆            |
| 79   | K20.01609  | 2001609      |                | 1    | GRUP MİLİ BİLYA RAYNELİ      | SHIM                  | 0.30mm           |       | ◆             | ◆             | ◆            |
| 79   | K20.01610  | 2001610      |                | 1    | GRUP MİLİ BİLYA RAYNELİ      | SHIM                  | 0.20mm           |       | ◆             | ◆             | ◆            |
| 79   | K20.01611  | 2001611      |                | 1    | GRUP MİLİ BİLYA RAYNELİ      | SHIM                  | 0.10mm           |       | ◆             | ◆             | ◆            |
| 80   |            | 0630 531 050 |                | 1    | GRUP MİLİ ÖN BİLYA SEKM.     | RETAINING RING        | 40X2.50mm        |       | ◆             | ◆             | ◆            |
| 80   |            | 0630 531 314 |                | 1    | GRUP MİLİ ÖN BİLYA SEKM.     | RETAINING RING        | 40X2.40mm        |       | ◆             | ◆             | ◆            |
| 80   |            | 0630 531 315 |                | 1    | GRUP MİLİ ÖN BİLYA SEKM.     | RETAINING RING        | 40X2.30mm        |       | ◆             | ◆             | ◆            |
| 80   |            | 0630 531 316 |                | 1    | GRUP MİLİ ÖN BİLYA SEKM.     | RETAINING RING        | 40X2.20mm        |       | ◆             | ◆             | ◆            |
| 80   |            | 0630 531 049 |                | 1    | GRUP MİLİ ÖN BİLYA SEKM.     | RETAINING RING        | 40X2.00mm        |       | ◆             | ◆             | ◆            |
| 81   | K20.01122  | 0735 371 749 |                | 1    | GRUP MİLİ ÖN BİLYA           | ROLLER BEARING        | 40X80X32mm       |       | ◆             | ◆             | ◆            |
| 82   | K20.00235  | 1304 303 273 |                | 1    | TAKV.DİŞLİ KARŞILIĞI 33 DİŞ  | CONSTANT GEAR 33 T    |                  |       | ◆             | ◆             |              |
| 82   | K20.00236  | 1304 303 283 |                | 1    | TAKV.DİŞLİ KARŞILIĞI 31 DİŞ  | CONSTANT GEAR 31 T    |                  |       |               |               | ◆            |
| 83   | K20.00237  | 1304 303 212 |                | 1    | 4.VİT.DİŞLİ KARŞILIĞI 29 DİŞ | GEAR 4th 29 T         |                  |       | ◆             | ◆             |              |
| 83   | K20.00238  | 1304 303 175 |                | 1    | 4.VİT.DİŞLİ KARŞILIĞI 34 DİŞ | GEAR 4th 34 T         |                  |       |               |               | ◆            |
| 84   | K20.00239  | 1304 303 214 |                | 1    | 3.VİT.DİŞLİ KARŞILIĞI 22 DİŞ | GEAR 3rd 22 T         |                  |       | ◆             | ◆             |              |
| 84   | K20.00240  | 1304 303 192 |                | 1    | 3.VİT.DİŞLİ KARŞILIĞI 28 DİŞ | GEAR 3rd 28 T         |                  |       |               |               | ◆            |
| 85   | K20.00242  | 1304 303 276 |                | 1    | GRUP MİLİ                    | COUNTER SHAFT         |                  |       | ◆             |               |              |
| 85   | K20.00241  | 1304 303 277 |                | 1    | GRUP MİLİ 14/17 DİŞ          | COUNTER SHAFT 14/17 T |                  |       |               | ◆             |              |
| 85   | K20.00243  | 1304 303 279 |                | 1    | GRUP MİLİ 16/22 DİŞ          | COUNTER SHAFT 16/22 T |                  |       |               |               | ◆            |
| 86   | K20.01123  | 0750 117 083 | [0750 120 067] | 1    | GRUP MİLİ ARKA BİLYA         | ROLLER BEARING        | 50.8X95.2X27.7mm |       | ◆             | ◆             | ◆            |
|      |            |              | [0750 120 291] |      |                              |                       |                  |       |               |               |              |

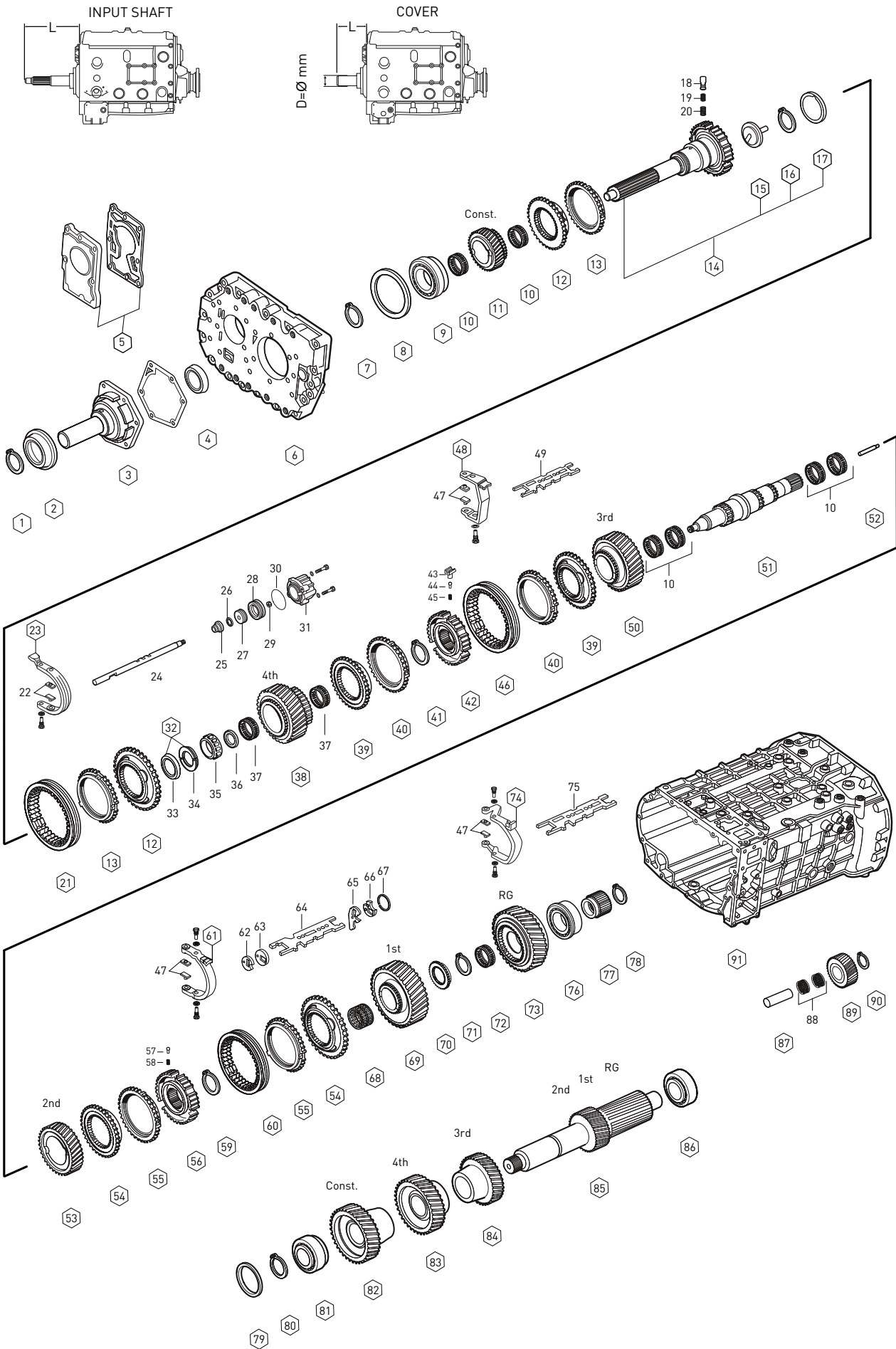
**NOTES :**

ABCD alfabetic letters are used in conjunction with the encoded parts.  
Alphabetical Coding has been done according to Input Shaft

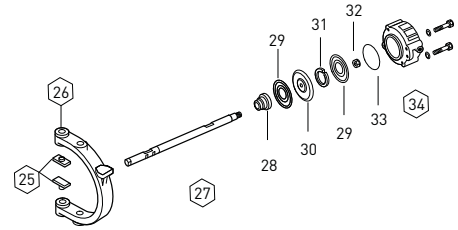
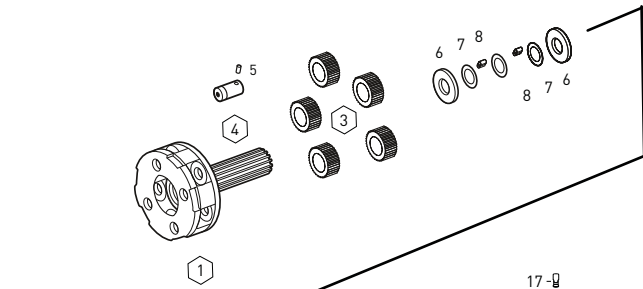
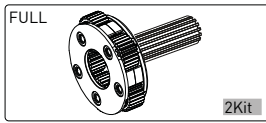
**NOTLAR :**

ABCD alfabetik harfler ile kodlanan parçalar birlikte kullanılır.  
Alfabetik kodlamalar prizdireklere göre yapılmıştır.

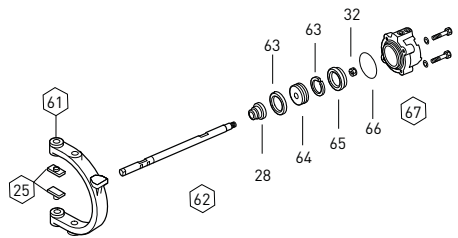
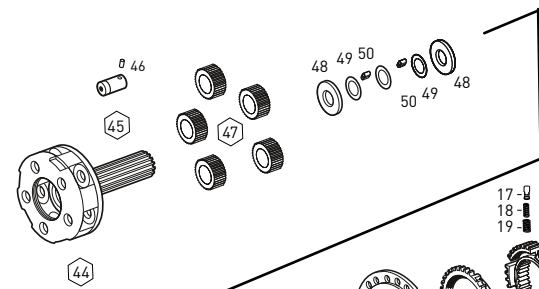
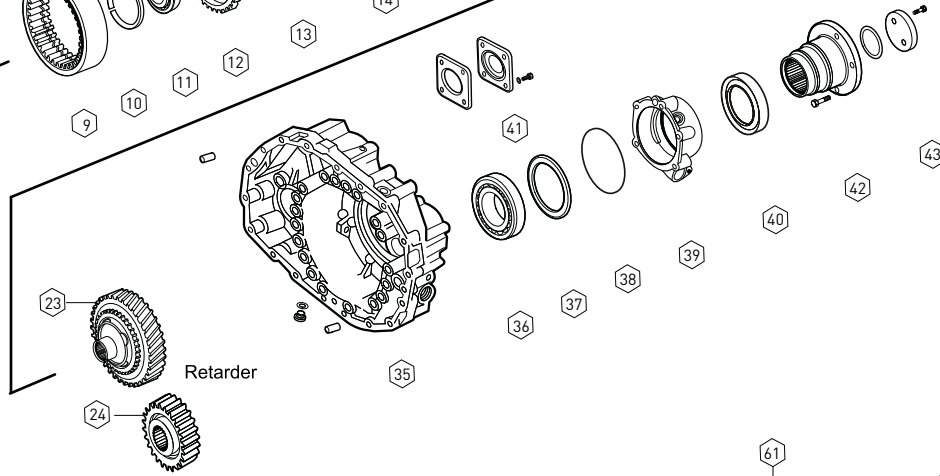
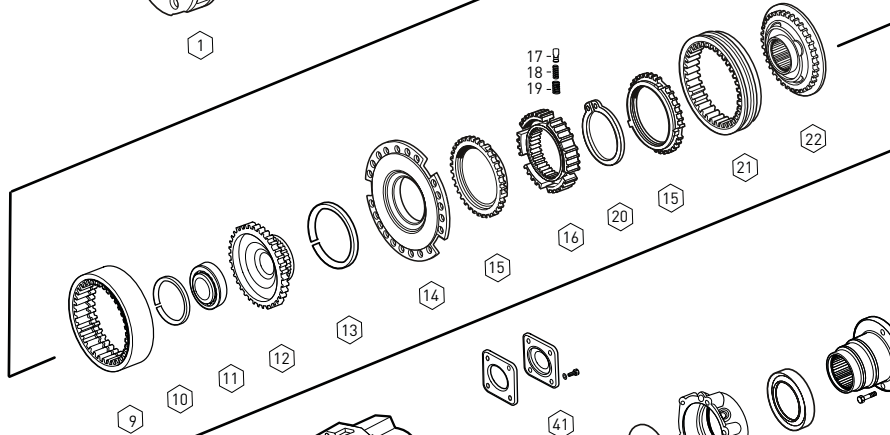




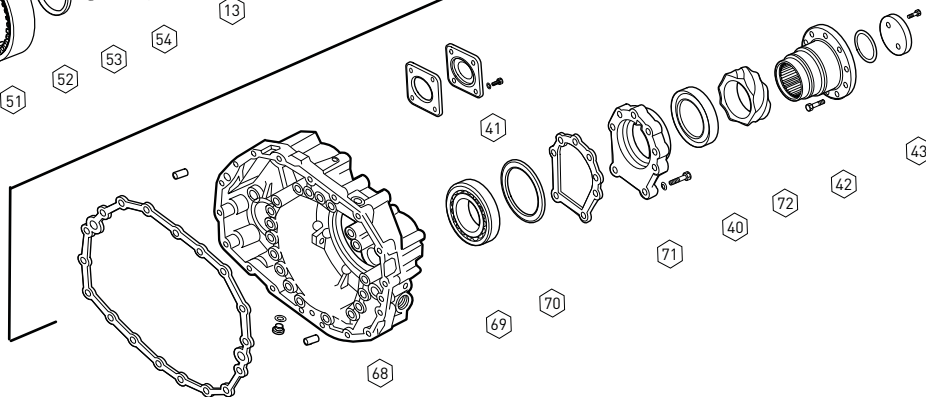
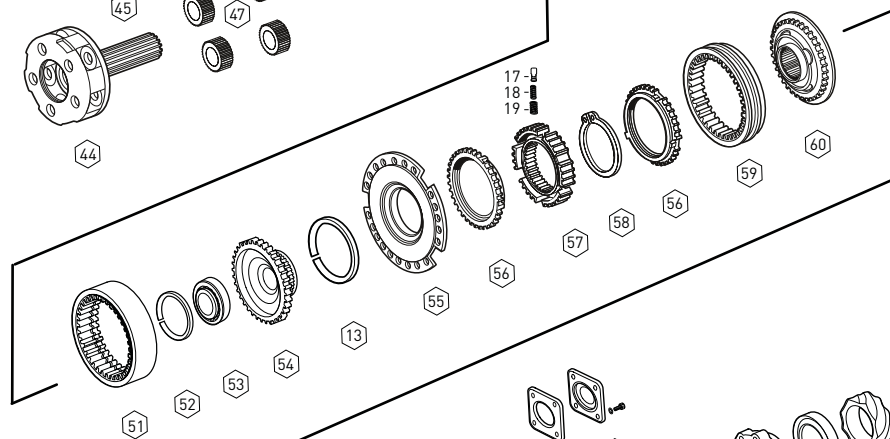




**NEW MODEL**



**OLD MODEL**



| Fig. | Kacmaz No. | Oem No       | Oem Old No                       | Pcs. | Ürün Tanımı                  | Description        | Sizes             | Notes | [X1]: 16 S 109 | [X2]: 16 S 109 | [X3]: 16 S 109 |
|------|------------|--------------|----------------------------------|------|------------------------------|--------------------|-------------------|-------|----------------|----------------|----------------|
| 1    | K20.00587  | 1304 232 088 | [1304 232 089]<br>[1304 232 094] | 1    | ŞANZIMAN HEYKELİ (BOŞ)       | PLANETARY CARRIER  | EMPTY             |       | ◆              |                | ◆              |
| 2    | K20.00587  | 1304 232 088 | [1304 232 089]<br>[1304 232 094] | 1    | ŞANZIMAN HEYKELİ (DOLU)      | PLANETARY CARRIER  | FULL              |       | ◆              |                |                |
| 3    | K20.00228  | 1304 232 054 |                                  | 1    | HEYK.KOZA DİŞLİ TAKIMI       | PLANETARY GEAR SET |                   |       | ◆              |                |                |
| 4    | K20.00321  | 1304 332 111 | [1304 332 019]                   | 5    | HEYKEK KOZA DİŞLİ PİMİ       | PLANET SHAFT       |                   |       | ◆              |                |                |
| 5    |            | 0631 329 037 |                                  | 5    | KOZA DİŞLİ PİMİ              | PIN                |                   |       | ◆              |                |                |
| 6    | K20.01508  | 0730 150 767 | [0501 304 692]                   | 10   | HEYKEL KOZA DİŞLİ PULU       | THRUST WASHER      |                   |       | ◆              |                |                |
| 7    | K20.01509  | 0730 103 102 |                                  | 15   | HEYKEL KOZA DİŞLİ PULU       | THRUST WASHER      |                   |       | ◆              |                |                |
| 8    | K20.01451  | 0735 470 115 |                                  | 200  | HEYK.KOZA DİŞ.TANE BİL.      | NEEDLE ROLLER      | 5X15.3mm          |       | ◆              |                |                |
| 9    | K20.00589  | 1304 332 134 |                                  | 1    | ÇEMBER DİŞLİ 90 DİŞ          | RING WHEEL 90 T    |                   |       | ◆              |                |                |
| 10   |            | 0730 513 755 |                                  | 1    | PLANET ÇAN DİŞLİ BİLYA SEK.  | RETAINING RING     | 2.50mm            |       | ◆              |                |                |
| 10   |            | 0730 513 756 |                                  | 1    | PLANET ÇAN DİŞLİ BİLYA SEK.  | RETAINING RING     | 2.40mm            |       | ◆              |                |                |
| 10   |            | 0730 513 757 |                                  | 1    | PLANET ÇAN DİŞLİ BİLYA SEK.  | RETAINING RING     | 2.30mm            |       | ◆              |                |                |
| 10   |            | 0730 513 758 |                                  | 1    | PLANET ÇAN DİŞLİ BİLYA SEK.  | RETAINING RING     | 2.20mm            |       | ◆              |                |                |
| 10   |            | 0730 513 759 |                                  | 1    | PLANET ÇAN DİŞLİ BİLYA SEK.  | RETAINING RING     | 2.10mm            |       | ◆              |                |                |
| 10   |            | 0730 513 760 |                                  | 1    | PLANET ÇAN DİŞLİ BİLYA SEK.  | RETAINING RING     | 2.00mm            |       | ◆              |                |                |
| 11   | K20.01133  | 0750 116 165 | [0635 338 049]                   | 1    | PLANET ÇAN DİŞLİ BİLYASI     | ROLLER BEARING     | 80.0X110.0X16.0mm |       | ◆              |                |                |
| 12   | K20.00591  | 1304 332 216 |                                  | 1    | PLANET ÇAN DİŞLİ             | CARRIER HUB        |                   |       | ◆              |                |                |
| 13   | K20.01613  | 0730 505 140 |                                  | 1    | ÇEMBER DİŞLİ SEGMANI         | SPRING RING        | 2.00mm            |       | ◆              |                |                |
| 14   | K20.00230  | 1304 233 006 | [1304 233 011]                   | 1    | TEPSİ SENKROMENÇ             | FLANGE             |                   |       | ◆              |                |                |
| 15   | K20.00038  | 1296 333 045 | [1296 333 022]                   | 2    | AĞIR SERİ SENK.FREN.         | SYNCHRONIZING CONE |                   |       | ◆              |                |                |
| 16   | K20.00185  | 1313 333 001 |                                  | 1    | AĞIR SERİ YILDIZ DİŞLİ       | GUIDE SLEEVE       |                   |       | ◆              |                |                |
| 17   | K20.00471  | 1240 304 278 |                                  | 9    | AĞR.SERİ YILDIZ DİŞ.FİŞ.     | PRESSURE PIECE     |                   |       | ◆              | ◆              | ◆              |
| 18   | K20.00469  | 0732 040 385 |                                  | 9    | AĞR.SERİ YILDIZ DİŞ.YAYI     | SPRING             |                   |       | ◆              | ◆              | ◆              |
| 19   | K20.00470  | 0732 040 386 |                                  | 9    | AĞR.SERİ YILDIZ DİŞ.YAYI     | SPRING             |                   |       | ◆              | ◆              | ◆              |
| 20   |            | 0630 501 061 |                                  | 1    | AĞIR SERİ YILDIZ DİŞLİ SEKM. | RETAINING RING     | 125x4.00mm        |       | ◆              |                |                |
| 20   |            | 0630 501 173 |                                  | 1    | AĞIR SERİ YILDIZ DİŞLİ SEKM. | RETAINING RING     | 125x3.90mm        |       | ◆              |                |                |
| 20   |            | 0630 501 174 |                                  | 1    | AĞIR SERİ YILDIZ DİŞLİ SEKM. | RETAINING RING     | 125x3.80mm        |       | ◆              |                |                |
| 20   |            | 0630 501 175 |                                  | 1    | AĞIR SERİ YILDIZ DİŞLİ SEKM. | RETAINING RING     | 125x3.70mm        |       | ◆              |                |                |
| 21   | K20.00267  | 1304 333 011 |                                  | 1    | AĞIR SERİ SENK.HALKA         | ENGAGING SLEEVE    |                   |       | ◆              |                |                |
| 22   | K20.00231  | 1304 233 013 | [1297 233 059]                   | 1    | SERİ SENKROMENÇ              | ENGAGING RING      |                   |       | ◆              |                |                |
| 23   | K20.00323  | 1304 232 085 | [1304 232 083]                   | 1    | SERİ SENKROMENÇ              | ENGAGING RING      | Retarder          |       | ◆              |                |                |
| 24   | K20.00584  | 6085 301 003 |                                  | 1    | RETARDER DİŞLİ KARŞILIĞI     | GEAR               | Retarder          |       | ◆              |                |                |
| 25   | K20.00328  | 1272 334 003 |                                  | 2    | AĞIR SERİ HİLAL PABUCU       | SLIDING PAD        |                   |       | ◆              | ◆              | ◆              |
| 26   |            | 1304 334 063 |                                  | 1    | AĞIR SERİ HİLALİ             | GEAR SHIFT FORK    |                   |       | ◆              |                |                |
| 27   |            | 1304 334 075 |                                  | 1    | AĞIR SERİ HİLAL MİLİ         | GEAR SHIFT RAIL    |                   |       | ◆              |                |                |
| 28   | K20.01017  | 0750 112 047 |                                  | 1    | AĞIR SERİ HİLAL MİL KEÇESİ   | FLANGE PACKING     | 22.0X36.0X14.5mm  |       | ◆              | ◆              | ◆              |
| 29   | K20.01018  | 0734 307 287 |                                  | 2    | AĞIR SERİ HAVA KEÇESİ        | SEALING RING       | 50.0X100.0X7.5mm  |       | ◆              |                |                |
| 30   |            | 1315 334 041 |                                  | 1    | AĞIR SERİ HİLAL MİL PİSTONU  | PISTON             |                   |       | ◆              |                |                |
| 31   | K20.01614  | 0750 112 096 |                                  | 1    | AĞIR SERİ HİLAL MİL FİBERİ   | GUIDE RING         |                   |       | ◆              |                |                |

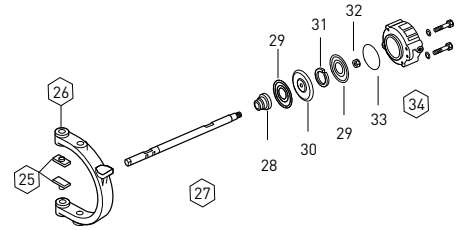
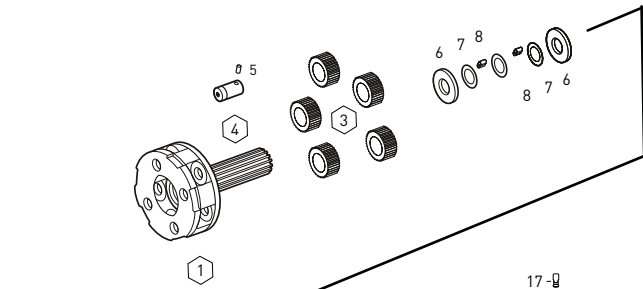
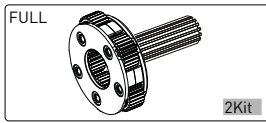
NOTES :

X1,X2,X3 are used in conjunction with the encoded parts.

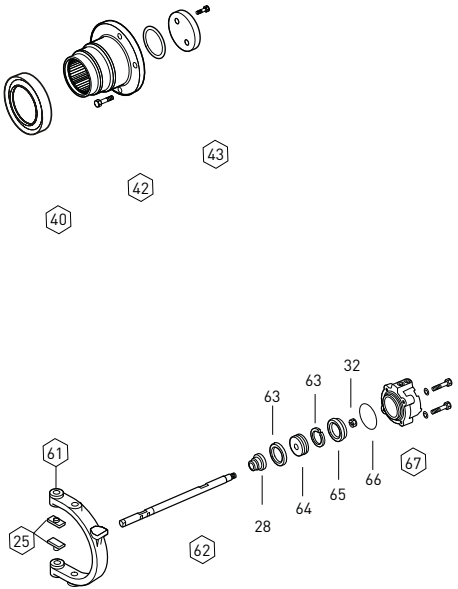
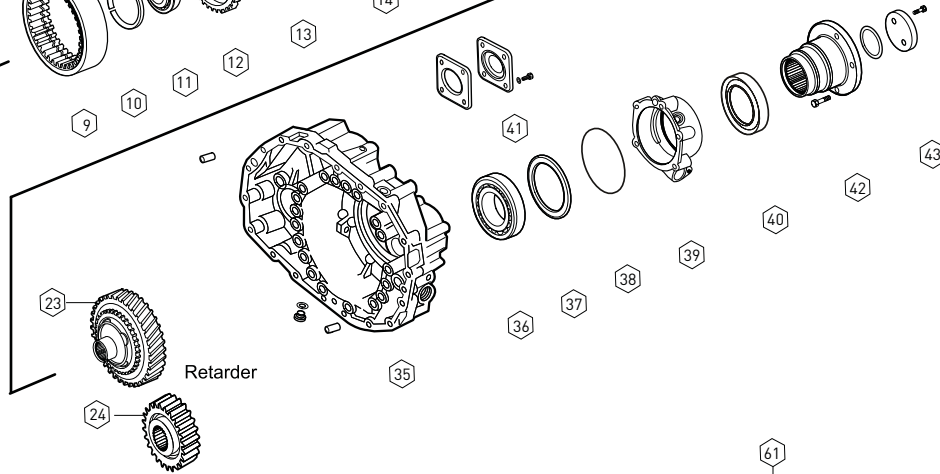
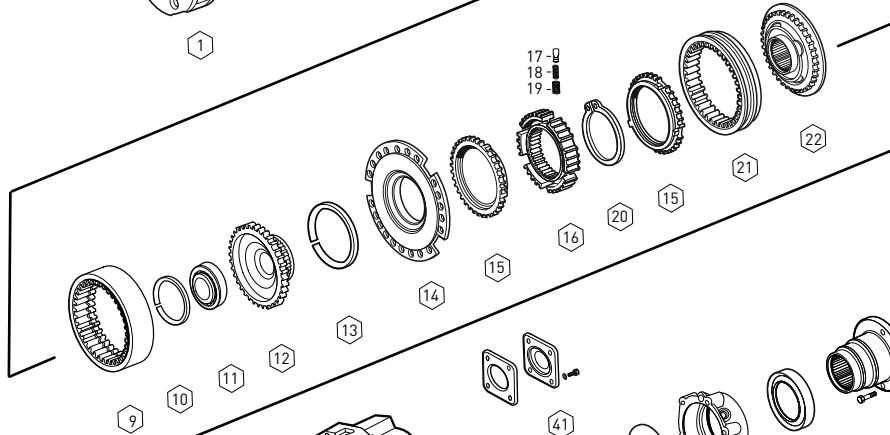
NOTLAR :

X1,X2,X3 ile kodlanan parçalar birlikte kullanılır.

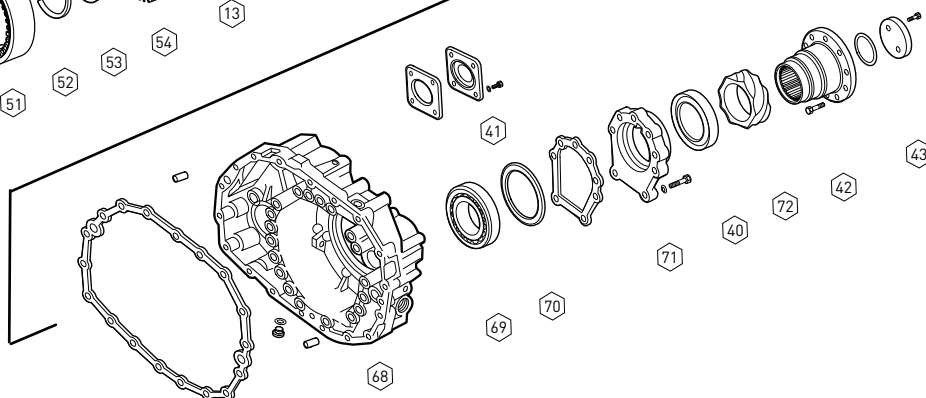
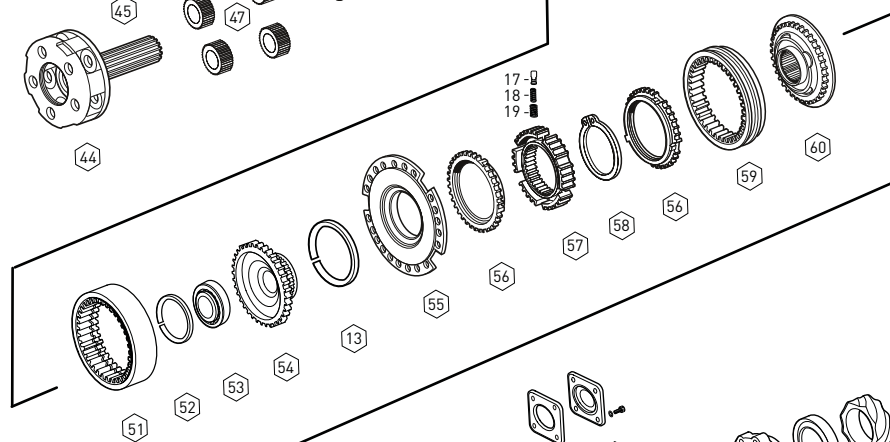
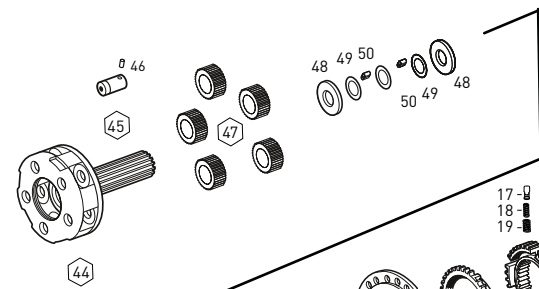
16 S 109



**NEW MODEL**



**OLD MODEL**



| Fig. | Kacmaz No. | Oem No       | Oem Old No     | Pcs. | Ürün Tanımı                 | Description        | Sizes                     | Notes | [X1]: 16 S 109 | [X2]: 16 S 109 | [X3]: 16 S 109 |
|------|------------|--------------|----------------|------|-----------------------------|--------------------|---------------------------|-------|----------------|----------------|----------------|
| 32   | K20.01774  | 0737 006 095 |                | 1    | AĞIR SERİ HİLAL MİL SOMUNU  | NUT                | M16X1.5mm                 |       | ◆              | ◆              | ◆              |
| 33   |            | 0634 313 338 |                | 1    | AĞIR SERİ SİLİNDİR ORİNGİ   | O-RING             | 108.0X3.0mm               |       | ◆              |                |                |
| 34   | K20.00888  | 1304 334 079 | (1304 334 073) | 1    | AĞIR SERİ SİLİNDİR GÖVDESİ  | CYLINDER           |                           |       | ◆              |                |                |
| 35   |            | 1304 301 380 |                | 1    | ŞANZİMAN ARKA GÖVDE         | HOUSING            |                           |       | ◆              |                |                |
| 36   | K20.01156  | 0750 116 404 | (0750 116 197) | 1    | ŞANZİMAN ARKA BİLYA         | ROLLER BEARING     | 80.0X140.0X26.0mm         |       | ◆              |                |                |
|      |            |              | (0635 332 066) |      |                             |                    |                           |       |                |                |                |
| 37   | K20.01615  | 2049 309 535 |                | 1    | ŞANZ.ARKA BİLYA RAYNELİ     | SHIM               | 1.90mm                    |       | ◆              |                |                |
| 37   | K20.01616  | 0730 006 534 |                | 1    | ŞANZ.ARKA BİLYA RAYNELİ     | SHIM               | 1.50mm                    |       | ◆              |                |                |
| 37   | K20.01617  | 2001617      |                | 1    | ŞANZ.ARKA BİLYA RAYNELİ     | SHIM               | 0.30mm                    |       | ◆              |                |                |
| 37   | K20.01618  | 2001618      |                | 1    | ŞANZ.ARKA BİLYA RAYNELİ     | SHIM               | 0.20mm                    |       | ◆              |                |                |
| 37   | K20.01619  | 2001619      |                | 1    | ŞANZ.ARKA BİLYA RAYNELİ     | SHIM               | 0.10mm                    |       | ◆              |                |                |
| 38   |            | 0634 303 110 |                | 1    | ARKA BİLYA KAPAK ORİNGİ     | O-RING             | 138X3mm                   |       | ◆              |                |                |
| 39   |            | 1304 301 351 |                | 1    | ŞANZ.ARKA BİLYA KAPAĞI      | BEARING COVER      |                           |       | ◆              |                |                |
| 40   | K20.01012  | 0734 319 439 |                | 1    | ŞANZ.ARKA KAPAK KEÇESİ      | OIL SEAL           | 95X115X10mm               |       | ◆              | ◆              | ◆              |
| 40   | K20.01022  | 0734 319 459 |                | 1    | ŞANZ.ARKA KAPAK KEÇESİ      | OIL SEAL           | RETARDER-105.0X125.0X12mm |       | ◆              |                |                |
| 41   |            | 1304 301 034 |                | 1    | PTO BAĞLANTI KAPAĞI         | COVER              |                           |       | ◆              | ◆              | ◆              |
| 42   | K20.00585  | 1304 338 109 |                | 1    | ŞANZİMAN FLANŞI             | COMP.FLANGE        | 4-H, Ø180mm               |       | ◆              | ◆              | ◆              |
| 42   | K20.00340  | 1304 338 097 |                | 1    | ŞANZİMAN FLANŞI             | COMP.FLANGE        | 4-H, Ø180mm               |       | ◆              | ◆              | ◆              |
| 43   | K20.01620  | 1304 338 072 |                | 1    | ŞANZİMAN FLANŞ PULU         | WASHER             |                           |       | ◆              | ◆              | ◆              |
| 44   | K20.00588  | 1304 232 086 | (1304 232 087) | 1    | ŞANZİMAN HEYKELİ            | PLANETARY CARRIER  |                           |       | ◆              |                |                |
| 45   | K20.00321  | 1304 332 111 | (1316 332 019) | 5    | HEYKEL KOZA DİŞLİ PİMİ      | PLANET SHAFT       |                           |       |                | ◆              | ◆              |
| 46   |            | 0631 329 037 |                | 5    | KOZA DİŞLİ PİMİ             | PIN                |                           |       |                | ◆              | ◆              |
| 47   | K20.00338  | 1304 232 022 |                | 1    | HEYK.KOZA DİŞLİ TAKIMI      | PLANETARY GEAR SET |                           |       |                | ◆              |                |
| 47   | K20.00227  | 1304 232 026 |                | 1    | HEYK.KOZA DİŞLİ TAKIMI      | PLANETARY GEAR SET |                           |       |                |                | ◆              |
| 48   | K20.01508  | 0730 150 767 | (0501 304 692) | 10   | HEYKEL KOZA DİŞLİ PULU      | THRUST WASHER      |                           |       |                | ◆              | ◆              |
| 49   | K20.01509  | 0730 103 102 |                | 15   | HEYKEL KOZA DİŞLİ PULU      | THRUST WASHER      |                           |       |                | ◆              | ◆              |
| 50   | K20.01451  | 0735 470 115 |                | 200  | HEYK.KOZA DİŞ.TANE BİL.     | NEEDLE ROLLER      | 5X15.3mm                  |       |                | ◆              | ◆              |
| 51   | K20.00590  | 1304 332 043 |                | 1    | ÇEMBER DİŞLİ 74 DİŞ         | RING WHELL 74 T    |                           |       |                | ◆              |                |
| 51   | K20.00582  | 1304 332 178 |                | 1    | ÇEMBER DİŞLİ 86 DİŞ         | RING WHELL 86 T    |                           |       |                |                | ◆              |
| 52   |            | 0630 513 073 |                | 1    | PLANET ÇAN DİŞLİ BİLYA SEK. | RETAINING RING     | 90X2.50mm                 |       |                | ◆              | ◆              |
| 52   |            | 0630 513 187 |                | 1    | PLANET ÇAN DİŞLİ BİLYA SEK. | RETAINING RING     | 90X2.40mm                 |       |                | ◆              | ◆              |
| 52   |            | 0630 513 188 |                | 1    | PLANET ÇAN DİŞLİ BİLYA SEK. | RETAINING RING     | 90X2.30mm                 |       |                | ◆              | ◆              |
| 52   |            | 0630 513 189 |                | 1    | PLANET ÇAN DİŞLİ BİLYA SEK. | RETAINING RING     | 90X2.20mm                 |       |                | ◆              | ◆              |
| 52   |            | 0630 513 190 |                | 1    | PLANET ÇAN DİŞLİ BİLYA SEK. | RETAINING RING     | 90X2.10mm                 |       |                | ◆              | ◆              |
| 52   |            | 0630 513 191 |                | 1    | PLANET ÇAN DİŞLİ BİLYA SEK. | RETAINING RING     | 90X2.00mm                 |       |                | ◆              | ◆              |
| 52   |            | 0630 513 238 |                | 1    | PLANET ÇAN DİŞLİ BİLYA SEK. | RETAINING RING     | 90X1.90mm                 |       |                | ◆              | ◆              |
| 53   | K20.01334  | 0735 340 080 | (0635 338 028) | 1    | PLANET ÇAN DİŞLİ BİLYASI    | ROLLER BEARING     | 70.0X90.0X10.0mm          |       |                | ◆              | ◆              |
| 54   | K20.00586  | 1304 332 060 |                | 1    | PLANET ÇAN DİŞLİ 86 DİŞ     | CARRIER HUB 86 T   |                           |       |                |                | ◆              |
| 54   | K20.00592  | 1304 332 217 |                | 1    | PLANET ÇAN DİŞLİ 74 DİŞ     | CARRIER HUB 74 T   |                           |       |                | ◆              |                |
| 55   | K20.00229  | 1304 233 005 | (1304 233 004) | 1    | TEPSİ SENKROMENÇ            | FLANGE             |                           |       |                | ◆              | ◆              |
| 56   | K20.00268  | 1304 333 005 | (1304 333 021) | 2    | AĞIR SERİ SENK.FRENLEME     | SYNCHRONIZING CONE |                           |       |                | ◆              | ◆              |

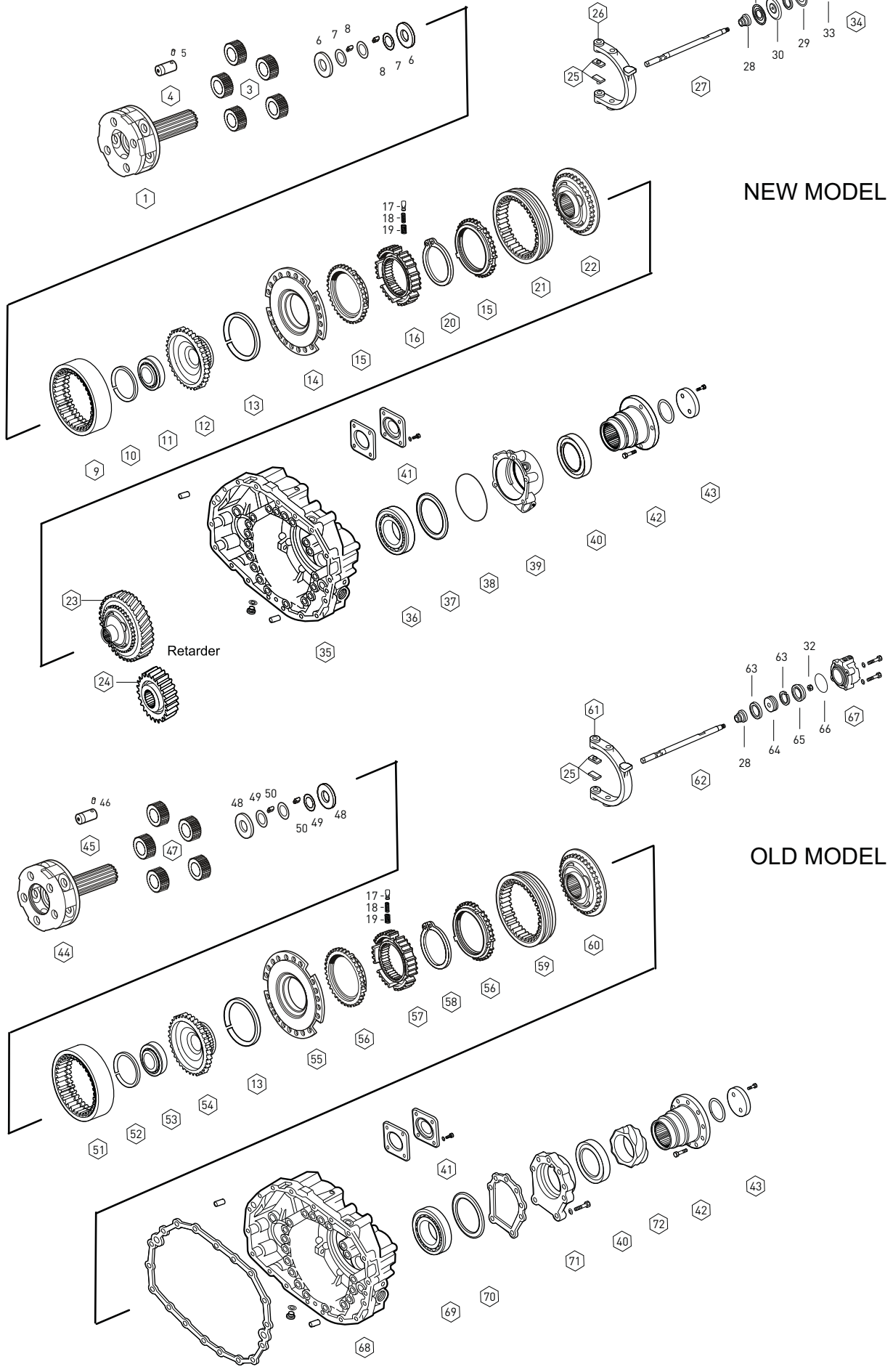
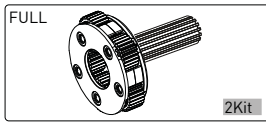
**NOTES :**

X1,X2,X3 are used in conjunction with the encoded parts.

**NOTLAR :**

X1,X2,X3 ile kodlanan parçalar birlikte kullanılır.

16 S 109



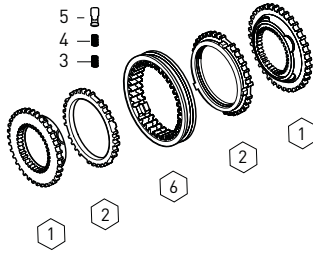
**NEW MODEL**

**OLD MODEL**



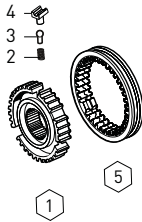


SYNCHRONIZER KIT Const



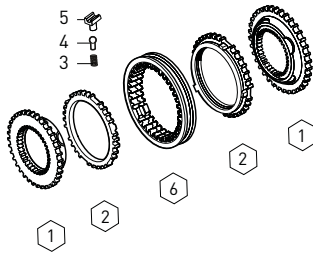
| Fig. | Kacmaz No. | Oem No       | Oem Old No     | Pcs. | Ürün Tanımı            | Description      |
|------|------------|--------------|----------------|------|------------------------|------------------|
|      | K20.00985  | 2000985      |                | Kit  | TAKVİYE SENKROMENÇ KİT | SYNCH.KIT Const. |
| 1    | K20.00234  | 1304 302 188 | (1304 302 006) | 2    | TAKVİYE SENKROMENÇ     | ENGAGING RING    |
| 2    | K20.00259  | 1304 304 680 | (1304 304 496) | 2    | TAKVİYE FRENLEME       | SYNCH.CONE       |
| 3    | K20.00469  | 0732 040 385 |                | 3    | PRİZDİREK YAYI         | SPRING           |
| 4    | K20.00470  | 0732 040 386 |                | 3    | PRİZDİREK YAYI         | SPRING           |
| 5    | K20.00471  | 1240 304 278 |                | 3    | PRİZDİREK FİŞEĞİ       | PRESSURE PIECE   |
| 6    | K20.00244  | 1240 304 272 | (1240 304 205) | 1    | TAKVİYE SENK.HALKA     | ENGAGING SLEEVE  |

SYNCHRONIZER KIT 3rd/4th



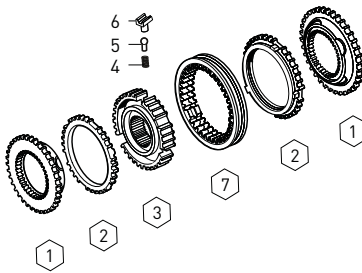
| Fig. | Kacmaz No. | Oem No       | Oem Old No     | Pcs. | Ürün Tanımı                  | Description       |
|------|------------|--------------|----------------|------|------------------------------|-------------------|
|      | K20.00476  | 1304 204 050 |                | Kit  | 3./4.VİT.HALKA YILDIZ KİTİ   | SYNCH.KIT 3rd/4th |
| 1    | K20.00252  | 1304 304 515 |                | 1    | 3./4.VİT.YILDIZ DIŞLI        | GUIDE SLEEVE      |
| 2    | K20.00110  | 0732 040 409 |                | 3    | 3./4.VİT.YILDIZ DIŞLI YAYI   | SPRING            |
| 3    | K20.00467  | 1249 304 222 |                | 3    | 3./4.VİT.YILDIZ DIŞLI PİMİ   | PIN               |
| 4    | K20.00468  | 1238 304 394 |                | 3    | 3./4.VİT.YILDIZ DIŞLI FİŞEĞİ | PRESSURE PIECE    |
| 5    | K20.00253  | 1304 304 688 | (6002 305 511) | 1    | 3./4.VİT.SENK.HALKA          | ENGAGING SLEEVE   |

SYNCHRONIZER KIT 3rd/4th



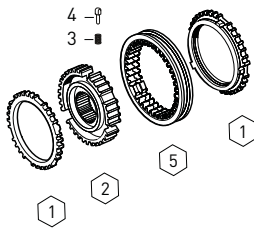
| Fig. | Kacmaz No. | Oem No       | Oem Old No     | Pcs. | Ürün Tanımı                  | Description       |
|------|------------|--------------|----------------|------|------------------------------|-------------------|
|      | K20.00477  | 1304 298 981 |                | Kit  | 3./4.VİT.SENKROMENÇ KİT      | SYNCH.KIT 3rd/4th |
| 1    | K20.00247  | 1304 304 012 |                | 2    | 3./4.VİT.SENKROMENÇ          | ENGAGING RING     |
| 2    | K20.00260  | 1304 304 683 | (1304 304 014) | 2    | 3./4.VİT.FRENLEME            | SYNCH.CONE        |
| 3    | K20.00110  | 0732 040 409 |                | 3    | 3./4.VİT.YILDIZ DIŞLI YAYI   | SPRING            |
| 4    | K20.00467  | 1249 304 222 |                | 3    | 3./4.VİT.YILDIZ DIŞLI PİMİ   | PIN               |
| 5    | K20.00468  | 1238 304 394 |                | 3    | 3./4.VİT.YILDIZ DIŞLI FİŞEĞİ | PRESSURE PIECE    |
| 6    | K20.00253  | 1304 304 688 | (6002 305 511) | 1    | 3./4.VİT.SENK.HALKA          | ENGAGING SLEEVE   |

SYNCHRONIZER KIT 3rd/4th



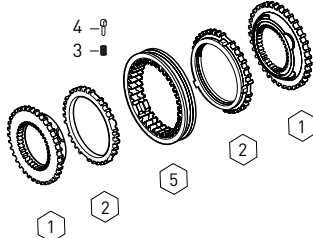
| Fig. | Kacmaz No. | Oem No       | Oem Old No     | Pcs. | Ürün Tanımı                  | Description       |
|------|------------|--------------|----------------|------|------------------------------|-------------------|
|      | K20.00478  | 1304 298 969 |                | Kit  | 3./4.VİT.SENKROMENÇ KİT      | SYNCH.KIT 3rd/4th |
| 1    | K20.00247  | 1304 304 012 |                | 2    | 3./4.VİT.SENKROMENÇ          | ENGAGING RING     |
| 2    | K20.00260  | 1304 304 683 | (1304 304 014) | 2    | 3./4.VİT.FRENLEME            | SYNCH.CONE        |
| 3    | K20.00252  | 1304 304 515 |                | 1    | 3./4.VİT.YILDIZ DIŞLI        | GUIDE SLEEVE      |
| 4    | K20.00110  | 0732 040 409 |                | 3    | 3./4.VİT.YILDIZ DIŞLI YAYI   | SPRING            |
| 5    | K20.00467  | 1249 304 222 |                | 3    | 3./4.VİT.YILDIZ DIŞLI PİMİ   | PIN               |
| 6    | K20.00468  | 1238 304 394 |                | 3    | 3./4.VİT.YILDIZ DIŞLI FİŞEĞİ | PRESSURE PIECE    |
| 7    | K20.00253  | 1304 304 688 | (6002 305 511) | 1    | 3./4.VİT.SENK.HALKA          | ENGAGING SLEEVE   |

SYNCHRONIZER KIT 1st/2nd



| Fig. | Kacmaz No. | Oem No       | Oem Old No     | Pcs. | Ürün Tanımı                 | Description        |
|------|------------|--------------|----------------|------|-----------------------------|--------------------|
|      | K20.00479  | 1304 204 049 |                | Kit  | 1./2.VİT.SENKROMENÇ KİT     | SYNCH.KIT 1st/2nd. |
| 1    | K20.00262  | 1304 304 681 |                | 2    | 1./ 2.VİT.SENK.FRENLEME     | SYNCH.CONE         |
| 2    | K20.00254  | 1304 304 653 | (1304 304 697) | 1    | 1./ 2.VİT.YILDIZ DIŞLI      | GUIDE SLEEVE       |
| 3    | K20.00110  | 0732 040 409 |                | 3    | 1./ 2.VİT.YILDIZ DIŞ.YAYI   | SPRING             |
| 4    | K20.00111  | 1297 304 436 |                | 3    | 1./ 2.VİT.YILDIZ DIŞ.FİŞEĞİ | PRESSURE PIECE     |
| 5    | K20.00255  | 1304 304 597 | (1304 304 541) | 1    | 1./ 2.VİT.SENK.HALKA        | ENGAGING SLEEVE    |

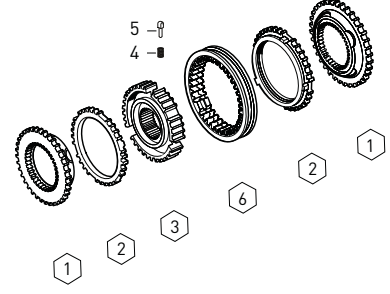
SYNCHRONIZER KIT 1st/2nd



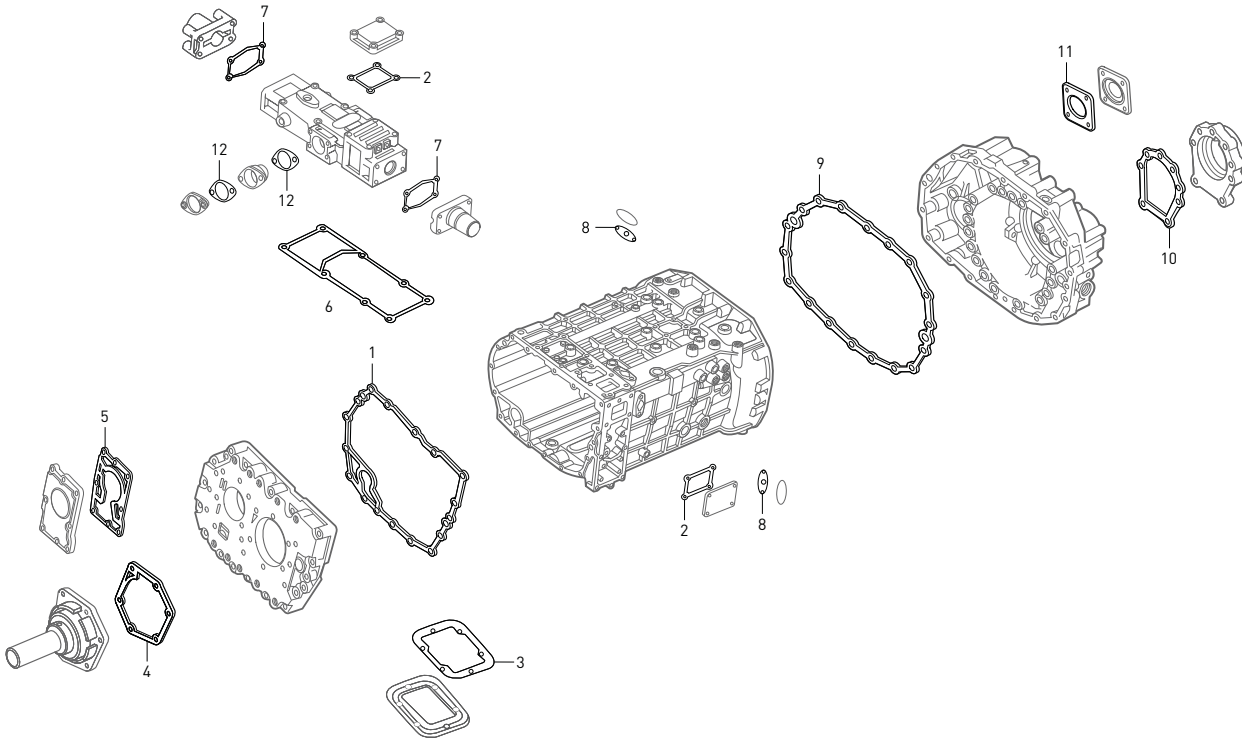
| Fig. | Kacmaz No. | Oem No       | Oem Old No     | Pcs. | Ürün Tanımı                 | Description          |
|------|------------|--------------|----------------|------|-----------------------------|----------------------|
|      | K20.00480  | 1304 298 980 |                | Kit  | PRİZ./3.VİT.SENKROMENÇ KİT  | SYNCH.KIT 3rd/Const. |
| 1    | K20.00261  | 1304 304 408 |                | 2    | 1./ 2.VİT.SENKROMENÇ        | ENGAGING RING        |
| 2    | K20.00262  | 1304 304 681 | (1304 304 542) | 2    | 1./ 2.VİT.SENK.FRENLEME     | SYNCHRONIZING CONE   |
| 3    | K20.00110  | 0732 040 409 |                | 3    | 1./ 2.VİT.YILDIZ DIŞ.YAYI   | SPRING               |
| 4    | K20.00111  | 1297 304 436 |                | 3    | 1./ 2.VİT.YILDIZ DIŞ.FİŞEĞİ | PRESSURE PIECE       |
| 5    | K20.00255  | 1304 304 597 | (1324 304 053) | 1    | 1./ 2.VİT.SENK.HALKA        | ENGAGING SLEEVE      |
|      |            |              | (1304 304 541) |      |                             |                      |

| Fig. | Kacmaz No. | Oem No       | Oem Old No     | Pcs. | Ürün Tanımı                 | Description        |
|------|------------|--------------|----------------|------|-----------------------------|--------------------|
|      | K20.00481  | 1304 298 968 |                | Kit  | 1./2.VİT.SENKROMENÇ KİT     | SYNCH.KIT 1st/2nd  |
| 1    | K20.00261  | 1304 304 408 |                | 2    | 1./ 2.VİT.SENKROMENÇ        | ENGAGING RING      |
| 2    | K20.00262  | 1304 304 681 | [1304 304 542] | 2    | 1./ 2.VİT.SENK.FRENLEME     | SYNCHRONIZING CONE |
| 3    | K20.00254  | 1304 304 653 | [1304 304 697] | 1    | 1./ 2.VİT.YILDIZ DİŞLİ      | GUIDE SLEEVE       |
| 4    | K20.00110  | 0732 040 409 |                | 3    | 1./ 2.VİT.YILDIZ DİŞ.YAYI   | SPRING             |
| 5    | K20.00111  | 1297 304 436 |                | 3    | 1./ 2.VİT.YILDIZ DİŞ.FİŞEĞİ | PRESSURE PIECE     |
| 6    | K20.00255  | 1304 304 597 | [1324 304 053] | 1    | 1./ 2.VİT.SENK.HALKA        | ENGAGING SLEEVE    |
|      |            |              | [1304 304 541] |      |                             |                    |

SYNCHRONIZER KIT 1st/2nd

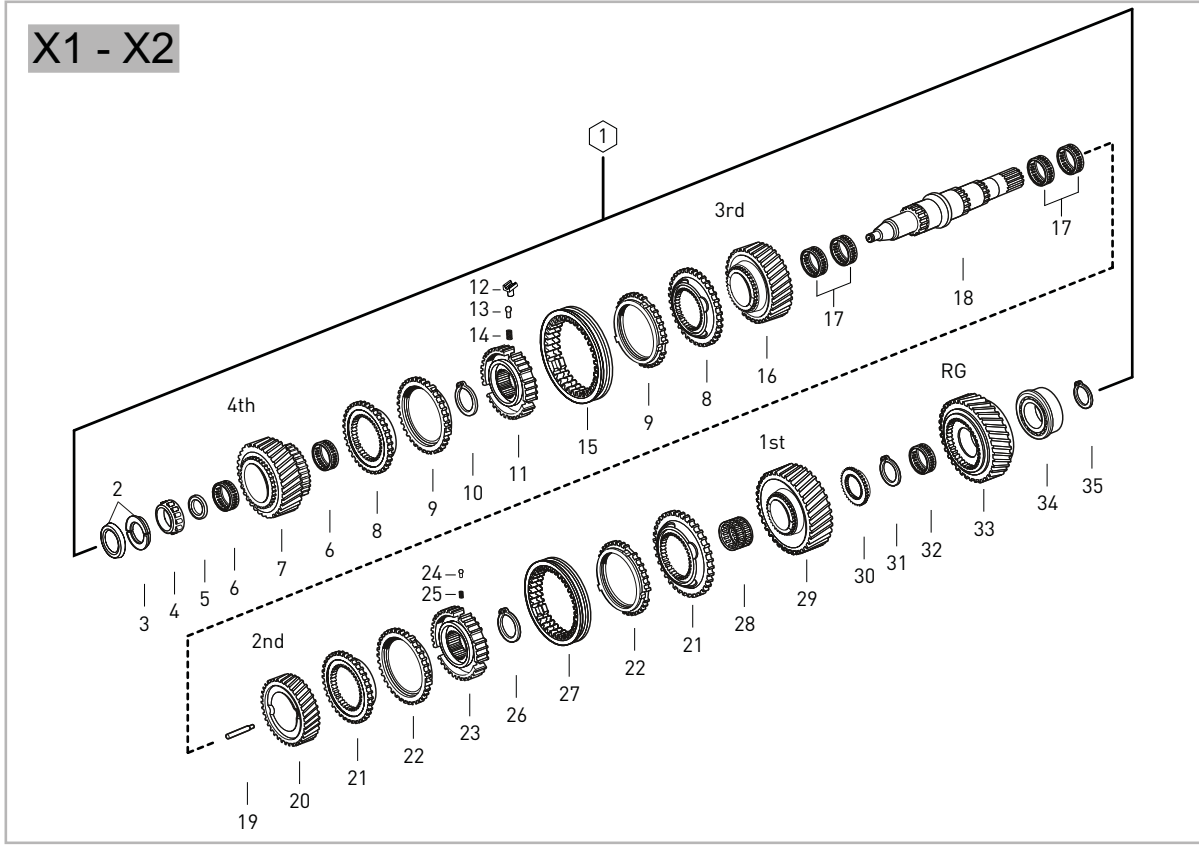


### GEARBOX GASKET KIT



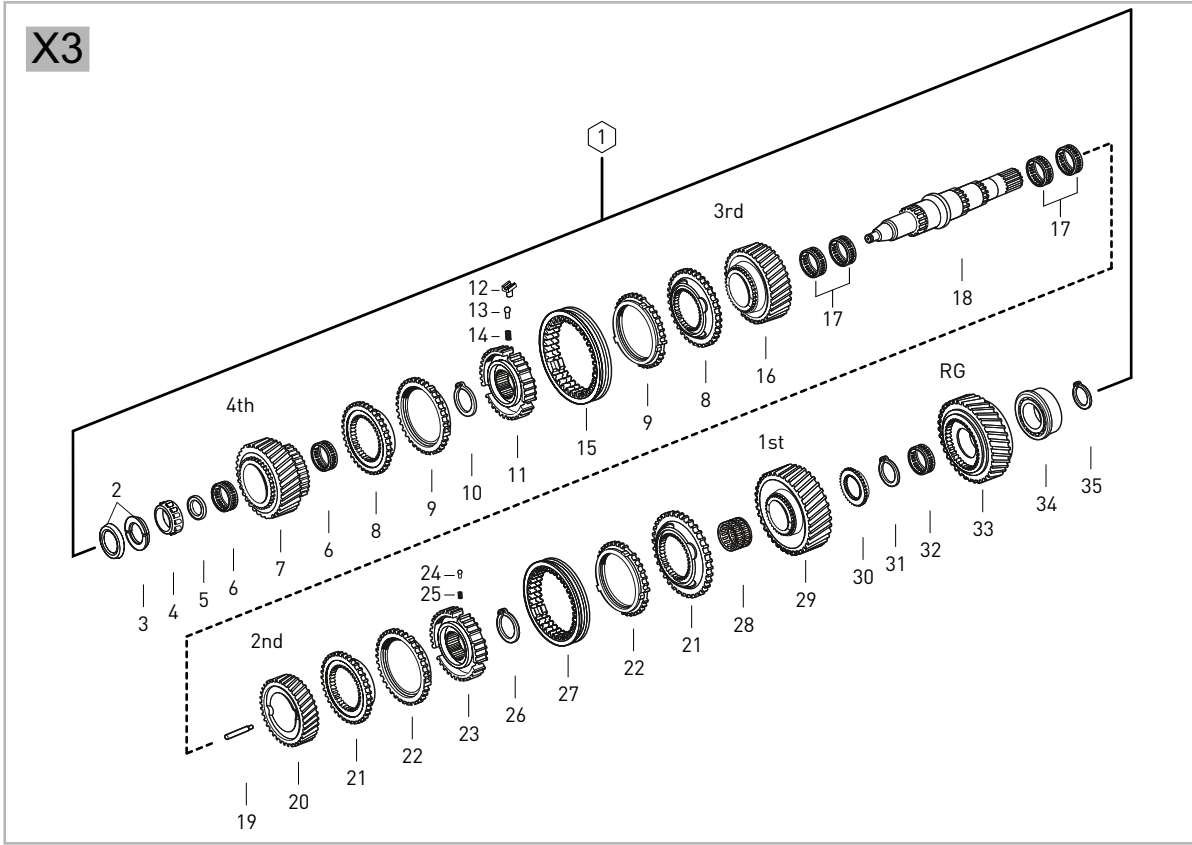
| Fig. | Kacmaz No. | Oem No       | Oem Old No     | Pcs. | Ürün Tanımı                  | Description |
|------|------------|--------------|----------------|------|------------------------------|-------------|
|      | K20.01583  | 1304 298 914 | [1304 298 902] | Kit  | ŞANZİMAN CONTA TAKIMI        | GASKET KIT  |
| 1    |            | 0501 313 379 |                | 1    | ŞANZ.ÖN KAPAK CONTASI        | GASKET      |
| 2    |            | 1304 307 437 | [1304 307 176] | 2    | ŞANZ.KULE BAĞ.KAPAK CONTASI  | GASKET      |
| 3    |            | 1290 301 140 | [1290 301 073] | 1    | ŞANZ.DAMPER CONTASI          | GASKET      |
| 4    |            | 0501 316 990 | [0501 313 678] | 1    | PRİZ.KEÇE KAPAK CONTASI      | GASKET      |
| 5    |            | 1304 303 297 |                | 1    | YAĞ POMPA CONTASI            | GASKET      |
| 6    |            | 1304 307 338 |                | 1    | ŞANZ.KULE ALT CONTASI        | GASKET      |
| 7    |            | 0501 318 308 | [1304 307 177] | 2    | ŞANZ.KULE KAPAK CONTASI      | GASKET      |
| 8    |            | 1268 307 170 | [1268 307 091] | 2    | ŞANZ.MÜŞÜR KAPAK CONTASI     | GASKET      |
| 9    |            | 1304 301 063 | [1304 301 030] | 1    | ŞANZ.ARKA GÖVDE CONTASI      | GASKET      |
| 10   |            | 1304 301 109 | [1304 301 021] | 1    | ŞANZ.ARKA KEÇE KAPAK CONTASI | GASKET      |
| 11   |            | 1238 308 201 | [1238 308 166] | 1    | PTO BAĞLANTI KAPAK CONTASI   | GASKET      |
| 12   |            | 1304 307 277 | [1304 307 196] | 2    | ŞANZ.İSTİNAT KAPAK CONTASI   | GASKET      |

**X1 - X2**



| Fig Kacmaz No. | Oem No    | Oem Old No   | Pcs.           | Ürün Tanımı                        | Description         | Sizes            |
|----------------|-----------|--------------|----------------|------------------------------------|---------------------|------------------|
| 1              | K20.01050 | 2001050      | kit            | KAMALI MİL KOMPLE                  | MAIN SHAFT COMPLETE |                  |
| 2              | K20.01538 | 1499 298 157 | 1              | EMN.SACI VE K.MİL UÇ KİLİDİ        | SPLIT RING KIT      | 3.80mm           |
| 3              | K20.01540 | 0730 063 154 | 1              | KAMALI MİL EMNİYET SACI            | RETAINING RING      |                  |
| 4              | K20.01106 | 0735 371 406 | 1              | KAMALI MİL UÇ BİLYA                | ROLLER BEARING      | 32x33mm          |
| 5              | K20.01517 | 0501 314 139 | 1              | KAMALI MİL UÇ BİLYA PULU           | THRUST WASHER       |                  |
| 6              | K20.01301 | 0750 115 299 | 2              | 4.VİTES DİŞLİ MASURA BİLYA         | ROLLER BEARING      | 59.50x81.50x22mm |
| 7              | K20.00245 | 1304 304 516 | 1              | 4.VİTES DİŞLİSİ 27 DİŞ             | GEAR 4th 27 T       |                  |
| 8              | K20.00247 | 1304 304 012 | 2              | 3./4.VİTES KİLİT SENKROMENÇ        | ENGAGING RING       |                  |
| 9              | K20.00260 | 1304 304 683 | [1304 304 014] | 3./4.VİTES SENK.FRENLEME           | SYNCHRONIZING CONE  |                  |
| 10             |           | 0630 501 044 | 1              | 3./4. VİTES YILDIZ DİŞLİ SEKMANI   | RETAINING RING      | 2.50mm           |
| 11             | K20.00252 | 1304 304 515 | 1              | 3./4. VİTES YILDIZ DİŞLİ           | GUIDE SLEEVE        |                  |
| 12             | K20.00468 | 1238 304 394 | 3              | 3./4.VİTES YILDIZ DİŞLİ FİŞEĞİ     | PRESSURE PIECE      |                  |
| 13             | K20.00467 | 1249 304 222 | 3              | 3./4.VİTES YILDIZ DİŞLİ PİMİ       | PIN                 |                  |
| 14             | K20.00110 | 0732 040 409 | 3              | 3./4.VİTES YILDIZ DİŞLİ FİŞEK YAYI | SPRING              |                  |
| 15             | K20.00253 | 1304 304 688 | [6002 305 511] | 3./4.VİTES SENK.HALKA              | ENGAGING SLEEVE     |                  |
| 16             | K20.00248 | 1304 304 475 | 1              | 3.VİTES DİŞLİSİ 29 DİŞ             | GEAR 3rd 29 T       |                  |
| 17             | K20.01307 | 0735 320 816 | 4              | 2./3.VİTES MASURA BİLYA            | NEEDLE CAGE         | 75x83x23mm       |
| 18             | K20.00331 | 1304 304 630 | 1              | KAMALI MİL                         | MAIN SHAFT          |                  |
| 19             | K20.01506 | 1312 304 150 | [1324 304 014] | KAMALI MİL YAĞ BORUSU              | OIL PIPE            |                  |
| 20             | K20.00250 | 1304 304 497 | [1304 304 695] | 2.VİTES DİŞLİSİ 32 DİŞ             | GEAR 2nd 32 T       |                  |
| 21             | K20.00261 | 1304 304 408 | 2              | 1./2.VİTES KİLİT SENKROMENÇ        | ENGAGING RING       |                  |
| 22             | K20.00262 | 1304 304 681 | [1304 304 542] | 1./2.VİTES SENK.FRENLEME           | SYNCHRONIZING CONE  |                  |
| 23             | K20.00254 | 1304 304 653 | 1              | 1./2.VİTES YILDIZ DİŞLİ            | GUIDE SLEEVE        |                  |
| 24             | K20.00111 | 1297 304 436 | 3              | 1./2.VİTES YILDIZ DİŞLİ FİŞEĞİ     | PRESSURE PIECE      |                  |
| 25             | K20.00110 | 0732 040 409 | 3              | 1./2.VİTES YILDIZ DİŞLİ FİŞEK YAYI | SPRING              |                  |
| 26             |           | 0630 501 046 | 1              | 1./2.VİTES YILDIZ DİŞLİ SEKMANI    | RETAINING RING      | 2.50mm           |
| 27             | K20.00255 | 1304 304 597 | [1324 304 053] | 1./2.VİTES SENK.HALKA              | ENGAGING SLEEVE     |                  |
| 28             | K20.01310 | 0750 115 224 | 1              | 1.VİTES MASURA BİLYA               | NEEDLE CAGE         | 70x78x50mm       |
| 29             | K20.00333 | 1304 304 549 | 1              | 1.VİTES DİŞLİSİ 37 DİŞ             | GEAR 1st 37 T       |                  |
| 30             | K20.00263 | 1304 304 007 | 1              | GERİ VİTES YILDIZ DİŞLİ            | GUIDE SLEEVE        |                  |
| 31             |           | 0630 501 195 | 1              | GERİ VİT.YILDIZ DİŞLİ SEKMANI      | RETAINING RING      | 2.80mm           |
| 32             | K20.01309 | 0750 115 225 | 1              | GERİ VİTES MASURA BİLYA            | NEEDLE CAGE         | 60x68x39mm       |
| 33             | K20.00336 | 1304 304 671 | 1              | GERİ VİTES DİŞLİSİ 35 DİŞ          | REVERSE GEAR 35 T   |                  |
| 34             | K20.01113 | 0735 371 605 | 1              | KAMALI MİL ARKA BİLYA              | ROLLER BEARING      |                  |
| 35             |           | 0630 531 050 | 1              | KAMALI MİL ARKA SEKMAN             | RETAINING RING      | 40x2.50mm        |

X3

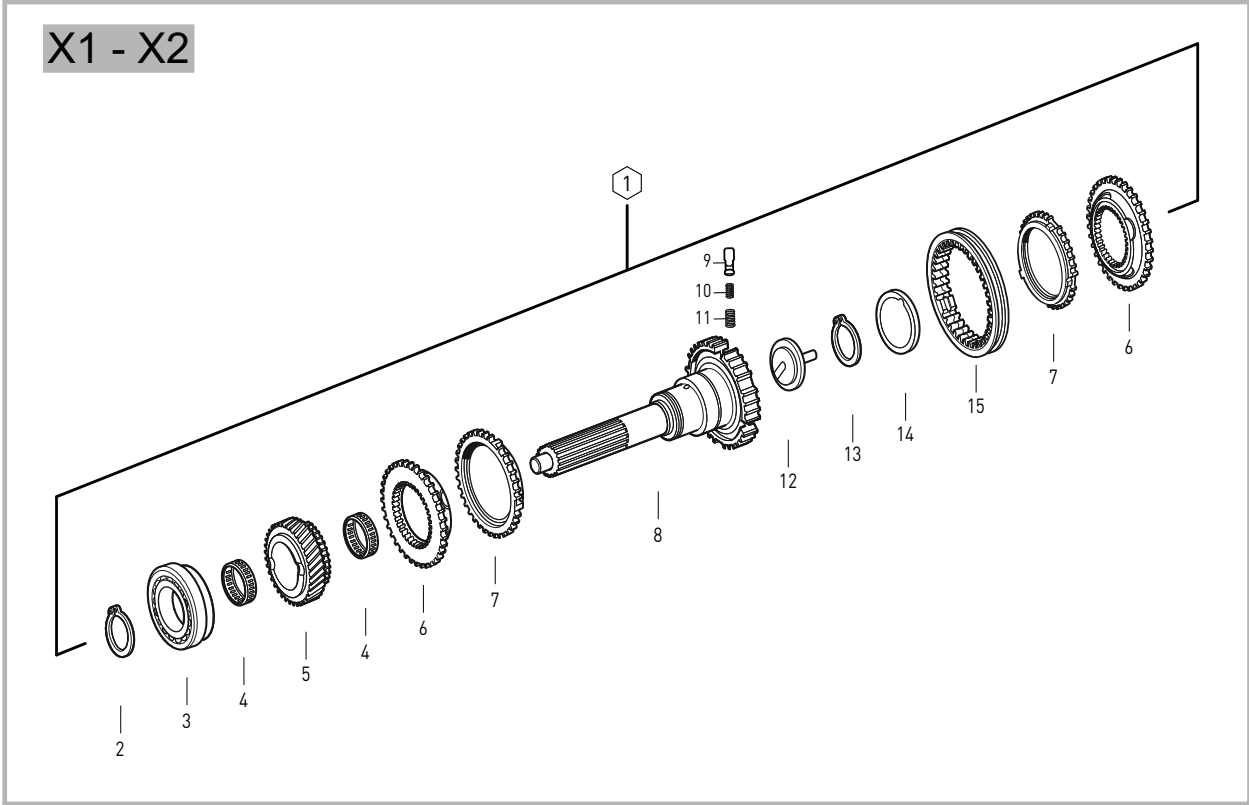


| Fig Kacmaz No. | Oem No    | Oem Old No   | Pcs.           | Ürün Tanımı                        | Description         | Sizes            |
|----------------|-----------|--------------|----------------|------------------------------------|---------------------|------------------|
| 1              | K20.01051 | 2001051      |                | kit KAMALI MİL KOMPLE              | MAIN SHAFT COMPLETE |                  |
| 2              | K20.01538 | 1499 298 157 | 1              | EMN.SACI VE K.MİL UÇ KİLİDİ        | SPLIT RING KIT      | 3.80mm           |
| 3              | K20.01540 | 0730 063 154 | 1              | KAMALI MİL EMNİYET SACI            | RETAINING RING      |                  |
| 4              | K20.01106 | 0735 371 406 | 1              | KAMALI MİL UÇ BİLYA                | ROLLER BEARING      | 32x33mm          |
| 5              | K20.01517 | 0501 314 139 | 1              | KAMALI MİL UÇ BİLYA PULU           | THRUST WASHER       |                  |
| 6              | K20.01301 | 0750 115 299 | 2              | 4.VİTES DİŞLİ MASURA BİLYA         | ROLLER BEARING      | 59.50x81.50x22mm |
| 7              | K20.00246 | 1304 304 518 | 1              | 4.VİTES DİŞLİSİ 27 DİŞ             | GEAR 4th 27 T       |                  |
| 8              | K20.00247 | 1304 304 012 | 2              | 3./4.VİTES KİLİT SENKROMENÇ        | ENGAGING RING       |                  |
| 9              | K20.00260 | 1304 304 683 | (1304 304 014) | 2 3./4.VİTES SENK.FRENLEME         | SYNCHRONIZING CONE  |                  |
| 10             |           | 0630 501 044 | 1              | 3./4. VİTES YILDIZ DİŞLİ SEKMANI   | RETAINING RING      | 2.50mm           |
| 11             | K20.00252 | 1304 304 515 | 1              | 3./4. VİTES YILDIZ DİŞLİ           | GUIDE SLEEVE        |                  |
| 12             | K20.00468 | 1238 304 394 | 3              | 3./4.VİTES YILDIZ DİŞLİ FİŞEĞİ     | PRESSURE PIECE      |                  |
| 13             | K20.00467 | 1249 304 222 | 3              | 3./4.VİTES YILDIZ DİŞLİ PİMİ       | PIN                 |                  |
| 14             | K20.00110 | 0732 040 409 | 3              | 3./4.VİTES YILDIZ DİŞLİ FİŞEK YAYI | SPRING              |                  |
| 15             | K20.00253 | 1304 304 688 | (6002 305 511) | 1 3./4.VİTES SENK.HALKA            | ENGAGING SLEEVE     |                  |
| 16             | K20.00249 | 1304 304 417 | 1              | 3.VİTES DİŞLİSİ 32 DİŞ             | GEAR 3rd 32 T       |                  |
| 17             | K20.01307 | 0735 320 816 | 4              | 2./3.VİTES MASURA BİLYA            | NEEDLE CAGE         | 75x83x23mm       |
| 18             | K20.00331 | 1304 304 630 | 1              | KAMALI MİL                         | MAIN SHAFT          |                  |
| 19             | K20.01506 | 1312 304 150 | (1324 304 014) | 1 KAMALI MİL YAĞ BORUSU            | OIL PIPE            |                  |
| 20             | K20.00251 | 1304 304 422 | 1              | 2.VİTES DİŞLİSİ 37 DİŞ             | GEAR 2nd 37 T       |                  |
| 21             | K20.00261 | 1304 304 408 | 2              | 1./2.VİTES KİLİT SENKROMENÇ        | ENGAGING RING       |                  |
| 22             | K20.00262 | 1304 304 681 | (1304 304 542) | 2 1./2.VİTES SENK.FRENLEME         | SYNCHRONIZING CONE  |                  |
| 23             | K20.00254 | 1304 304 653 | 1              | 1./2.VİTES YILDIZ DİŞLİ            | GUIDE SLEEVE        |                  |
| 24             | K20.00111 | 1297 304 436 | 3              | 1./2.VİTES YILDIZ DİŞLİ FİŞEĞİ     | PRESSURE PIECE      |                  |
| 25             | K20.00110 | 0732 040 409 | 3              | 1./2.VİTES YILDIZ DİŞLİ FİŞEK YAYI | SPRING              |                  |
| 26             |           | 0630 501 046 | 1              | 1./2.VİTES YILDIZ DİŞLİ SEKMANI    | RETAINING RING      | 2.50mm           |
| 27             | K20.00255 | 1304 304 597 | (1324 304 053) | 1 1./2.VİTES SENK.HALKA            | ENGAGING SLEEVE     |                  |
| 28             | K20.01310 | 0750 115 224 | 1              | 1.VİTES MASURA BİLYA               | NEEDLE CAGE         | 70x78x50mm       |
| 29             | K20.00334 | 1304 304 376 | 1              | 1.VİTES DİŞLİSİ 38 DİŞ             | GEAR 1st 38 T       |                  |
| 30             | K20.00263 | 1304 304 007 | 1              | GERİ VİTES YILDIZ DİŞLİ            | GUIDE SLEEVE        |                  |
| 31             |           | 0630 501 195 | 1              | GERİ VİT.YILDIZ DİŞLİ SEKMANI      | RETAINING RING      | 2.80mm           |
| 32             | K20.01309 | 0750 115 225 | 1              | GERİ VİTES MASURA BİLYA            | NEEDLE CAGE         | 60x68x39mm       |
| 33             | K20.00337 | 1304 304 670 | 1              | GERİ VİTES DİŞLİSİ 35 DİŞ          | REVERSE GEAR 35 T   |                  |
| 34             | K20.01113 | 0735 371 605 | 1              | KAMALI MİL ARKA BİLYA              | ROLLER BEARING      |                  |
| 35             |           | 0630 531 050 | 1              | KAMALI MİL ARKA SEKMAN             | RETAINING RING      | 40x2.50mm        |

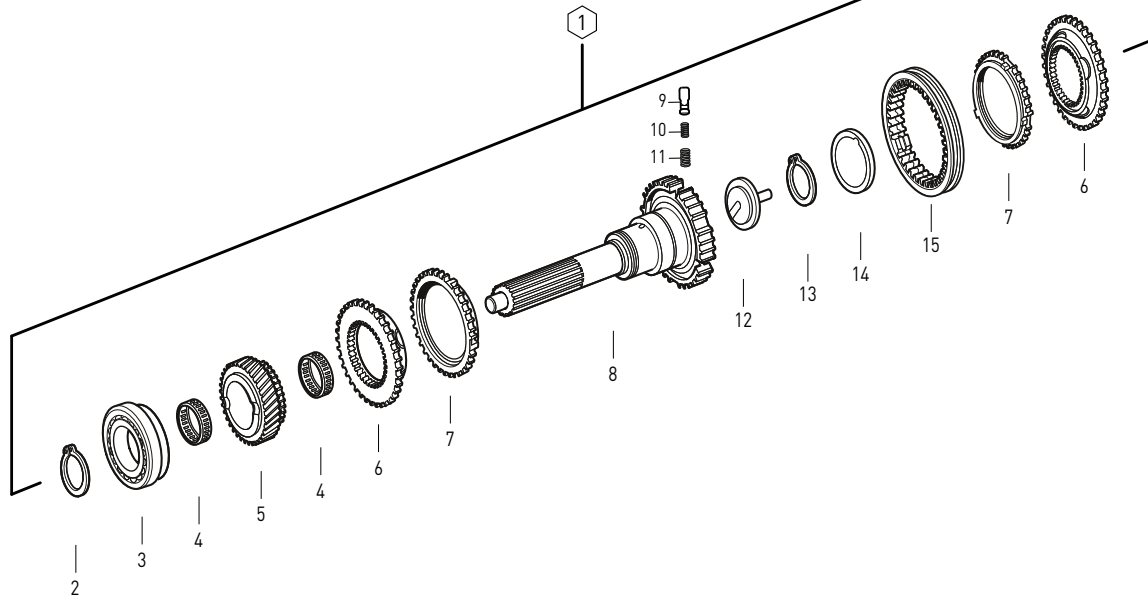
Original parts names, oem numbers, symbols and descriptions used in this catalogue are for reference purposes only.

GROUP 20

X1 - X2

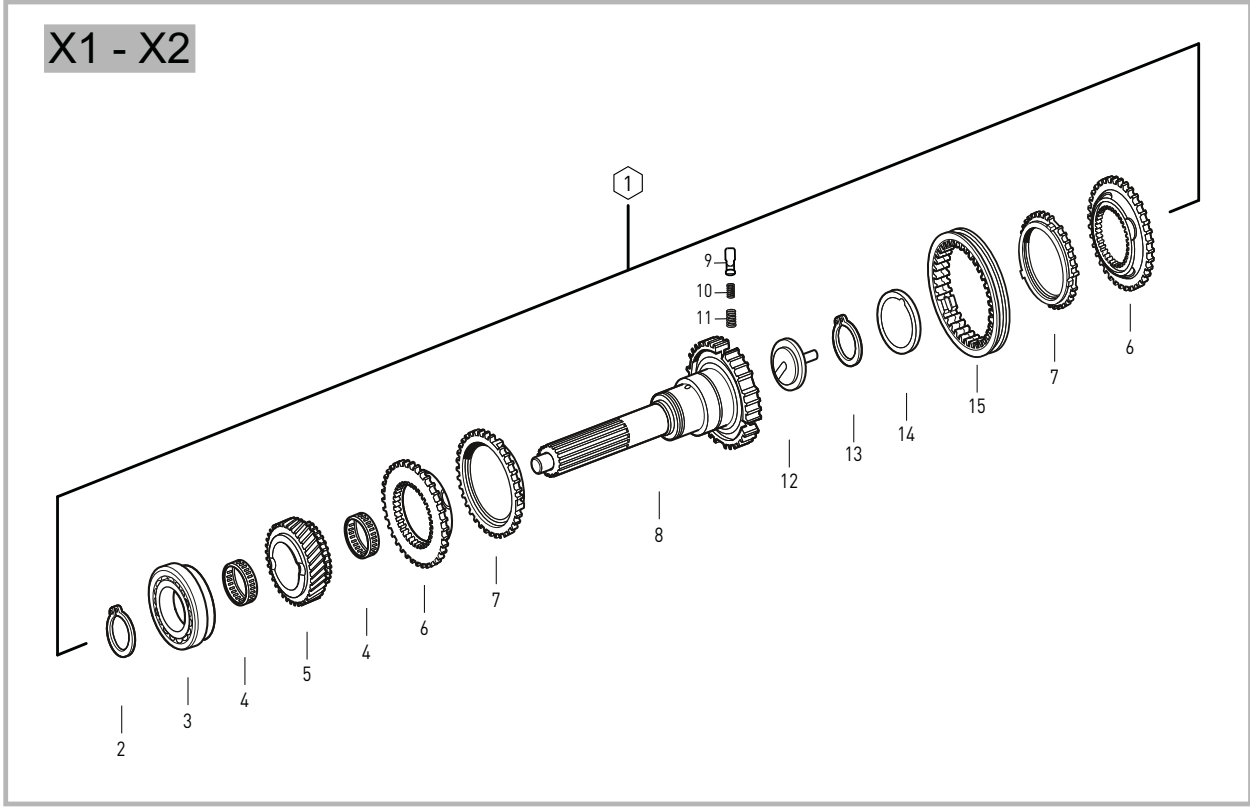


| Fig. | Kacmaz No. | Oem No       | Oem Old No     | Pcs. | Ürün Tanımı                 | Description          | Sizes                |
|------|------------|--------------|----------------|------|-----------------------------|----------------------|----------------------|
| 1    | K20.01052  | 2001052      |                | kit  | PRİZDİREK KOMPLE            | INPUT SHAFT COMPLETE |                      |
| 2    |            | 0730 501 360 |                | 1    | PRİZ.ÖN BİLYA SEKMANI       | RETAINING RING       | 4.00mm               |
| 3    | K20.01101  | 0750 117 079 | {0735 370 233} | 1    | PRİZDİREK ÖN BİLYA          | ROLLER BEARING       | 66.60x117.40x30.10mm |
| 4    | K20.01307  | 0735 320 816 |                | 2    | TAKVİYE MASURA BİLYA        | NEEDLE CAGE          | 75x83x23mm           |
| 5    | K20.00232  | 1304 302 169 | {1304 302 137} | 1    | TAKVİYE DİŞLİSİ 26 DİŞ      | CONSTANT GEAR 26 T   |                      |
| 6    | K20.00234  | 1304 302 188 | {1304 302 006} | 2    | TAKVİYE SENKROMENÇ          | ENGAGING RING        |                      |
| 7    | K20.00259  | 1304 304 680 | {1304 304 496} | 2    | TAKVİYE SENK.FRENLEME       | SYNCHRONIZING RING   |                      |
| 8    | K20.00225  | 1304 202 202 | {1304 202 260} | 1    | PRİZDİREK                   | INPUT SHAFT          |                      |
|      |            |              | {1304 302 404} |      |                             |                      |                      |
| 9    | K20.00471  | 1240 304 278 |                | 3    | PRİZDİREK FİŞEĞİ            | PRESSURE PIECE       |                      |
| 10   | K20.00469  | 0732 040 385 |                | 3    | PRİZDİREK YAYI              | SPRING               |                      |
| 11   | K20.00470  | 0732 040 386 |                | 3    | PRİZDİREK YAYI              | SPRING               |                      |
| 12   | K20.01501  | 1304 302 440 |                | 1    | PRİZDİREK YAĞ PİPETİ        | OIL PIPET            |                      |
| 13   | K20.01502  | 0630 502 063 |                | 1    | PRİZDİREK YAĞ PİPET SEKMANI | RETAINING RING       | 58x2.00mm            |
| 14   | K20.01010  | 0501 311 146 |                | 1    | PRİZDİREK ARKA KEÇE         | OIL SEAL             |                      |
| 15   | K20.00244  | 1240 304 272 | {1240 304 205} | 1    | TAKVİYE SENK.HALKA          | ENGAGING SLEEVE      |                      |

**X3**

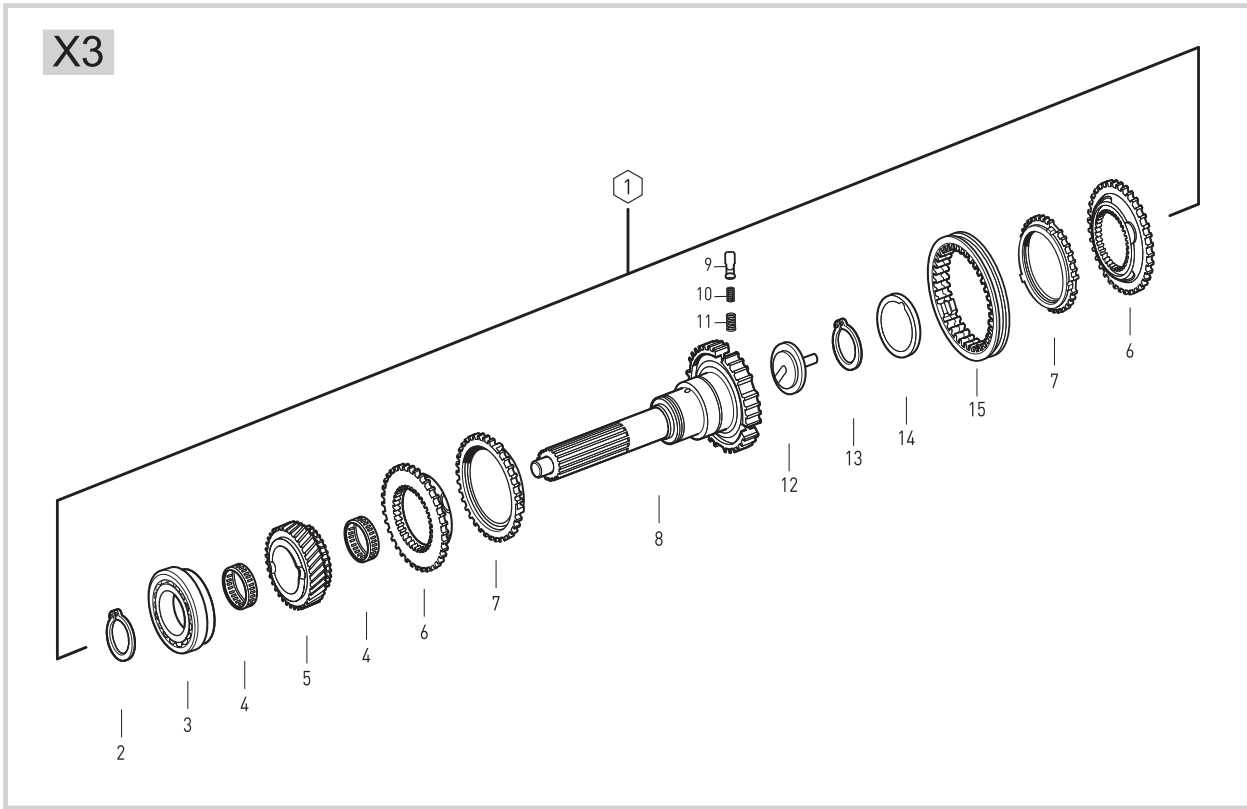
| Fig. | Kacmaz No. | Oem No       | Oem Old No     | Pcs. | Ürün Tanımı                 | Description        | Sizes                |
|------|------------|--------------|----------------|------|-----------------------------|--------------------|----------------------|
| 1    | K20.01053  | 2001053      |                | kit  | PRİZDİREK KOMPLE            | INPUT SHAFT        |                      |
| 2    |            | 0730 501 360 |                | 1    | PRİZ.ÖN BİLYA SEKMANI       | RETAINING RING     | 4.00mm               |
| 3    | K20.01101  | 0750 117 079 | (0735 370 233) | 1    | PRİZDİREK ÖN BİLYA          | ROLLER BEARING     | 66.60x117.40x30.10mm |
| 4    | K20.01307  | 0735 320 816 |                | 2    | TAKVIYE MASURA BİLYA        | NEEDLE CAGE        | 75x83x23mm           |
| 5    | K20.00233  | 1304 302 150 |                | 1    | TAKVIYE DİŞLİSİ 30 DİŞ      | CONSTANT GEAR 30 T |                      |
| 6    | K20.00234  | 1304 302 188 | (1304 302 006) | 2    | TAKVIYE SENKROMENÇ          | ENGAGING RING      |                      |
| 7    | K20.00259  | 1304 304 680 | (1304 304 496) | 2    | TAKVIYE SENK.FRENLEME       | SYNCHRONIZING RING |                      |
| 8    | K20.00225  | 1304 202 202 | (1304 202 260) | 1    | PRİZDİREK                   | INPUT SHAFT        |                      |
|      |            |              | (1304 302 404) |      |                             |                    |                      |
| 9    | K20.00471  | 1240 304 278 |                | 3    | PRİZDİREK FİŞEĞİ            | PRESSURE PIECE     |                      |
| 10   | K20.00469  | 0732 040 385 |                | 3    | PRİZDİREK YAYI              | SPRING             |                      |
| 11   | K20.00470  | 0732 040 386 |                | 3    | PRİZDİREK YAYI              | SPRING             |                      |
| 12   | K20.01501  | 1304 302 440 |                | 1    | PRİZDİREK YAĞ PİPETİ        | OIL PIPET          |                      |
| 13   | K20.01502  | 0630 502 063 |                | 1    | PRİZDİREK YAĞ PİPET SEKMANI | RETAINING RING     | 58x2.00mm            |
| 14   | K20.01010  | 0501 311 146 |                | 1    | PRİZDİREK ARKA KEÇE         | OIL SEAL           |                      |
| 15   | K20.00244  | 1240 304 272 | (1240 304 205) | 1    | TAKVIYE SENK.HALKA          | ENGAGING SLEEVE    |                      |

X1 - X2



| Fig. | Kacmaz No. | Oem No       | Oem Old No     | Pcs. | Ürün Tanımı                 | Description          | Sizes                |
|------|------------|--------------|----------------|------|-----------------------------|----------------------|----------------------|
| 1    | K20.01054  | 2001054      |                | kit  | PRİZDİREK KOMPLE            | INPUT SHAFT COMPLETE |                      |
| 2    |            | 0730 501 360 |                | 1    | PRİZ.ÖN BİLYA SEKMANI       | RETAINING RING       | 4.00mm               |
| 3    | K20.01101  | 0750 117 079 | (0735 370 233) | 1    | PRİZDİREK ÖN BİLYA          | ROLLER BEARING       | 66.60x117.40x30.10mm |
| 4    | K20.01307  | 0735 320 816 |                | 2    | TAKVİYE MASURA BİLYA        | NEEDLE CAGE          | 75x83x23mm           |
| 5    | K20.00232  | 1304 302 169 | (1304 302 137) | 1    | TAKVİYE DİŞLİSİ 26 DİŞ      | CONSTANT GEAR 26 T   |                      |
| 6    | K20.00234  | 1304 302 188 | (1304 302 006) | 2    | TAKVİYE SENKROMENÇ          | ENGAGING RING        |                      |
| 7    | K20.00259  | 1304 304 680 | (1304 304 496) | 2    | TAKVİYE SENK.FRENLEME       | SYNCHRONIZING RING   |                      |
| 8    | K20.00224  | 1304 202 201 | (1304 202 259) | 1    | PRİZDİREK                   | INPUT SHAFT          | MAN-ASKAM-DAF        |
|      |            |              | (1304 302 403) |      |                             |                      |                      |
| 9    | K20.00471  | 1240 304 278 |                | 3    | PRİZDİREK FİŞEĞİ            | PRESSURE PIECE       |                      |
| 10   | K20.00469  | 0732 040 385 |                | 3    | PRİZDİREK YAYI              | SPRING               |                      |
| 11   | K20.00470  | 0732 040 386 |                | 3    | PRİZDİREK YAYI              | SPRING               |                      |
| 12   | K20.01501  | 1304 302 440 |                | 1    | PRİZDİREK YAĞ PİPETİ        | OIL PIPET            |                      |
| 13   | K20.01502  | 0630 502 063 |                | 1    | PRİZDİREK YAĞ PİPET SEKMANI | RETAINING RING       | 58x2.00mm            |
| 14   | K20.01010  | 0501 311 146 |                | 1    | PRİZDİREK ARKA KEÇE         | OIL SEAL             |                      |
| 15   | K20.00244  | 1240 304 272 | (1240 304 205) | 1    | TAKVİYE SENK.HALKA          | ENGAGING SLEEVE      |                      |

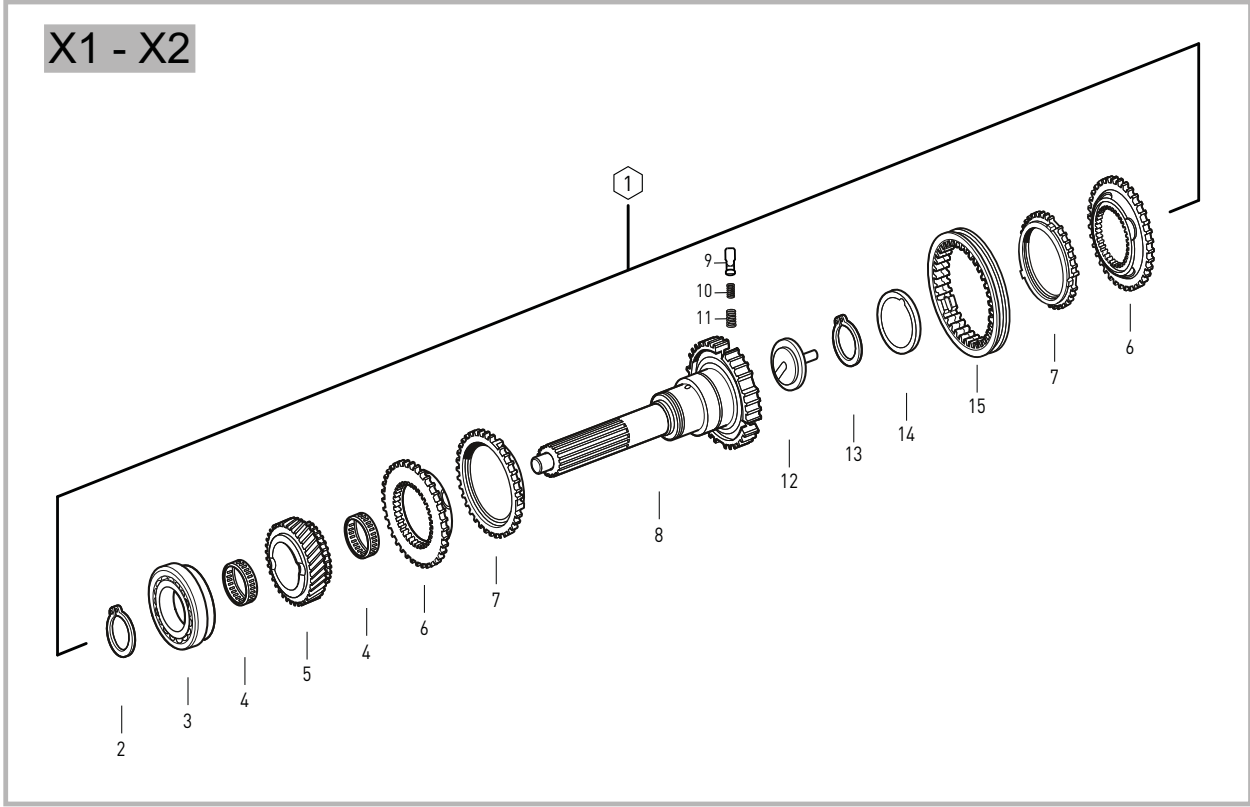
X3



| Fig. | Kacmaz No. | Oem No       | Oem Old No                       | Pcs. | Ürün Tanımı                 | Description          | Sizes                |
|------|------------|--------------|----------------------------------|------|-----------------------------|----------------------|----------------------|
| 1    | K20.01055  | 2001055      |                                  | kit  | PRİZDİREK KOMPLE            | INPUT SHAFT COMPLETE |                      |
| 2    |            | 0730 501 360 |                                  | 1    | PRİZ.ÖN BİLYA SEKMANI       | RETAINING RING       | 4.00mm               |
| 3    | K20.01101  | 0750 117 079 | (0735 370 233)                   | 1    | PRİZDİREK ÖN BİLYA          | ROLLER BEARING       | 66.60x117.40x30.10mm |
| 4    | K20.01307  | 0735 320 816 |                                  | 2    | TAKVİYE MASURA BİLYA        | NEEDLE CAGE          | 75x83x23mm           |
| 5    | K20.00233  | 1304 302 150 |                                  | 1    | TAKVİYE DİŞLİSİ 30 DİŞ      | CONSTANT GEAR 30 T   |                      |
| 6    | K20.00234  | 1304 302 188 | (1304 302 006)                   | 2    | TAKVİYE SENKROMENÇ          | ENGAGING RING        |                      |
| 7    | K20.00259  | 1304 304 680 | (1304 304 496)                   | 2    | TAKVİYE SENK.FRENLEME       | SYNCHRONIZING RING   |                      |
| 8    | K20.00224  | 1304 202 201 | (1304 202 259)<br>(1304 302 403) | 1    | PRİZDİREK                   | INPUT SHAFT          | MAN-ASKAM-DAF        |
| 9    | K20.00471  | 1240 304 278 |                                  | 3    | PRİZDİREK FİŞEĞİ            | PRESSURE PIECE       |                      |
| 10   | K20.00469  | 0732 040 385 |                                  | 3    | PRİZDİREK YAYI              | SPRING               |                      |
| 11   | K20.00470  | 0732 040 386 |                                  | 3    | PRİZDİREK YAYI              | SPRING               |                      |
| 12   | K20.01501  | 1304 302 440 |                                  | 1    | PRİZDİREK YAĞ PİPETİ        | OIL PIPET            |                      |
| 13   | K20.01502  | 0630 502 063 |                                  | 1    | PRİZDİREK YAĞ PİPET SEKMANI | RETAINING RING       | 58x2.00mm            |
| 14   | K20.01010  | 0501 311 146 |                                  | 1    | PRİZDİREK ARKA KEÇE         | OIL SEAL             |                      |
| 15   | K20.00244  | 1240 304 272 | (1240 304 205)                   | 1    | TAKVİYE SENK.HALKA          | ENGAGING SLEEVE      |                      |

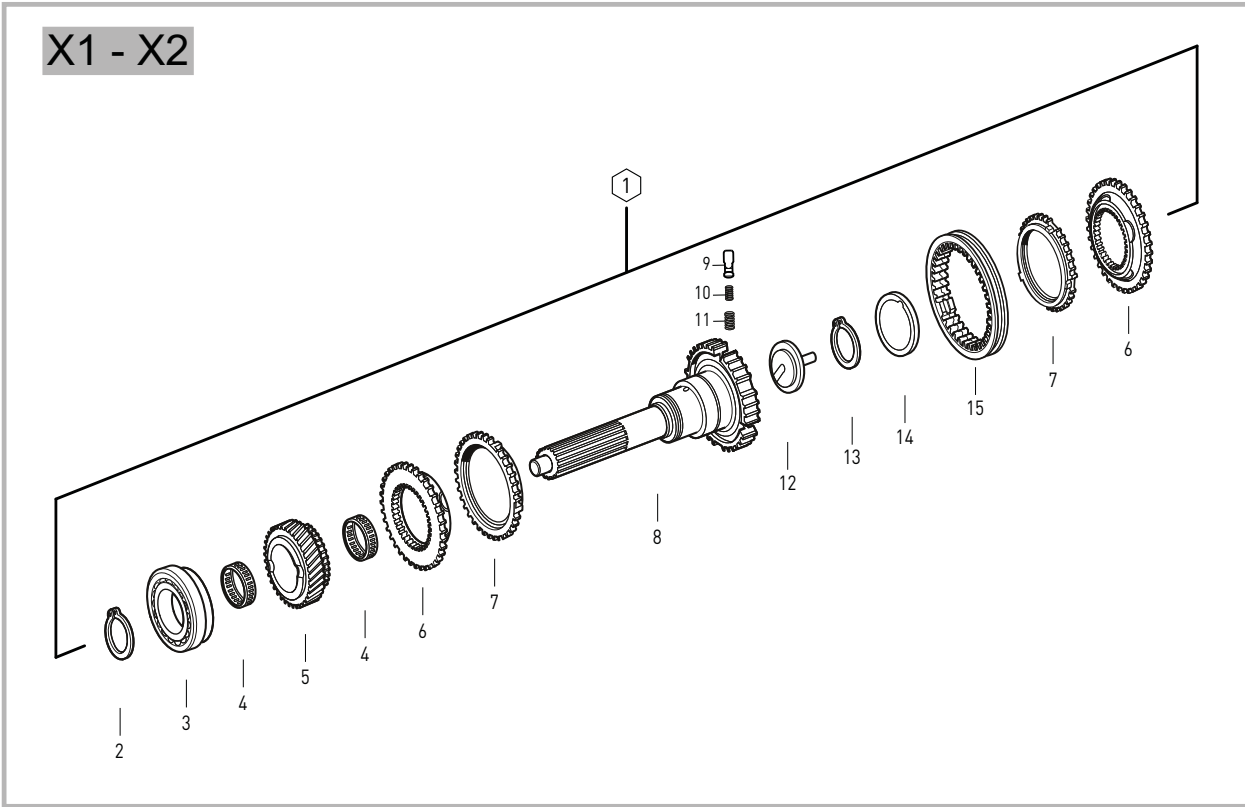


X1 - X2



| Fig. | Kacmaz No. | Oem No       | Oem Old No     | Pcs. | Ürün Tanımı                 | Description        | Sizes                |
|------|------------|--------------|----------------|------|-----------------------------|--------------------|----------------------|
| 1    | K20.01056  | 2001056      |                | kit  | PRİZDİREK KOMPLE            | INPUT SHAFT        |                      |
| 2    |            | 0730 501 360 |                | 1    | PRİZ.ÖN BİLYA SEKMANI       | RETAINING RING     | 4.00mm               |
| 3    | K20.01101  | 0750 117 079 | {0735 370 233} | 1    | PRİZDİREK ÖN BİLYA          | ROLLER BEARING     | 66.60x117.40x30.10mm |
| 4    | K20.01307  | 0735 320 816 |                | 2    | TAKVİYE MASURA BİLYA        | NEEDLE CAGE        | 75x83x23mm           |
| 5    | K20.00232  | 1304 302 169 | {1304 302 137} | 1    | TAKVİYE DİŞLİSİ 26 DİŞ      | CONSTANT GEAR 26 T |                      |
| 6    | K20.00234  | 1304 302 188 | {1304 302 006} | 2    | TAKVİYE SENKROMENÇ          | ENGAGING RING      |                      |
| 7    | K20.00259  | 1304 304 680 | {1304 304 496} | 2    | TAKVİYE SENK.FRENLEME       | SYNCHRONIZING RING |                      |
| 8    | K20.00226  | 1304 202 203 | {1304 202 261} | 1    | PRİZDİREK                   | INPUT SHAFT        |                      |
|      |            |              | {1304 302 405} |      |                             |                    |                      |
| 9    | K20.00471  | 1240 304 278 |                | 3    | PRİZDİREK FİŞEĞİ            | PRESSURE PIECE     |                      |
| 10   | K20.00469  | 0732 040 385 |                | 3    | PRİZDİREK YAYI              | SPRING             |                      |
| 11   | K20.00470  | 0732 040 386 |                | 3    | PRİZDİREK YAYI              | SPRING             |                      |
| 12   | K20.01501  | 1304 302 440 |                | 1    | PRİZDİREK YAĞ PİPETİ        | OIL PIPET          |                      |
| 13   | K20.01502  | 0630 502 063 |                | 1    | PRİZDİREK YAĞ PİPET SEKMANI | RETAINING RING     | 58x2.00mm            |
| 14   | K20.01010  | 0501 311 146 |                | 1    | PRİZDİREK ARKA KEÇE         | OIL SEAL           |                      |
| 15   | K20.00244  | 1240 304 272 | {1240 304 205} | 1    | TAKVİYE SENK.HALKA          | ENGAGING SLEEVE    |                      |

X1 - X2



| Fig. | Kacmaz No. | Oem No       | Oem Old No     | Pcs. | Ürün Tanımı                 | Description          | Sizes                |
|------|------------|--------------|----------------|------|-----------------------------|----------------------|----------------------|
| 1    | K20.01057  | 2001057      |                | kit  | PRİZDİREK KOMPLE            | INPUT SHAFT COMPLETE |                      |
| 2    |            | 0730 501 360 |                | 1    | PRİZ.ÖN BİLYA SEKMANI       | RETAINING RING       | 4.00mm               |
| 3    | K20.01101  | 0750 117 079 | (0735 370 233) | 1    | PRİZDİREK ÖN BİLYA          | ROLLER BEARING       | 66.60x117.40x30.10mm |
| 4    | K20.01307  | 0735 320 816 |                | 2    | TAKVİYE MASURA BİLYA        | NEEDLE CAGE          | 75x83x23mm           |
| 5    | K20.00232  | 1304 302 169 | (1304 302 137) | 1    | TAKVİYE DİŞLİSİ 26 DİŞ      | CONSTANT GEAR 26 T   |                      |
| 6    | K20.00234  | 1304 302 188 | (1304 302 006) | 2    | TAKVİYE SENKROMENÇ          | ENGAGING RING        |                      |
| 7    | K20.00259  | 1304 304 680 | (1304 304 496) | 2    | TAKVİYE SENK.FRENLEME       | SYNCHRONIZING RING   |                      |
| 8    | K20.00330  | 1304 202 255 | (1304 202 264) | 1    | PRİZDİREK                   | INPUT SHAFT          |                      |
|      |            |              | (1304 302 494) |      |                             |                      |                      |
| 9    | K20.00471  | 1240 304 278 |                | 3    | PRİZDİREK FİŞEĞİ            | PRESSURE PIECE       |                      |
| 10   | K20.00469  | 0732 040 385 |                | 3    | PRİZDİREK YAYI              | SPRING               |                      |
| 11   | K20.00470  | 0732 040 386 |                | 3    | PRİZDİREK YAYI              | SPRING               |                      |
| 12   | K20.01501  | 1304 302 440 |                | 1    | PRİZDİREK YAĞ PİPETİ        | OIL PIPET            |                      |
| 13   | K20.01502  | 0630 502 063 |                | 1    | PRİZDİREK YAĞ PİPET SEKMANI | RETAINING RING       | 58x2.00mm            |
| 14   | K20.01010  | 0501 311 146 |                | 1    | PRİZDİREK ARKA KEÇE         | OIL SEAL             |                      |
| 15   | K20.00244  | 1240 304 272 | (1240 304 205) | 1    | TAKVİYE SENK.HALKA          | ENGAGING SLEEVE      |                      |